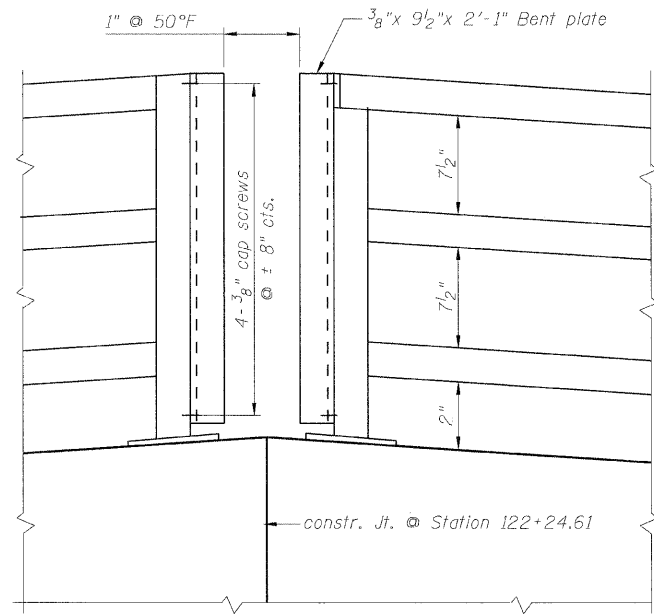
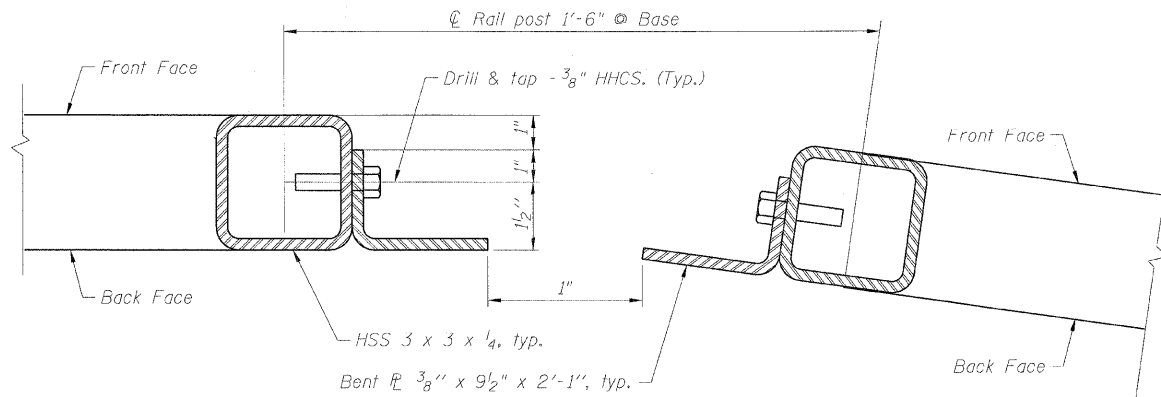


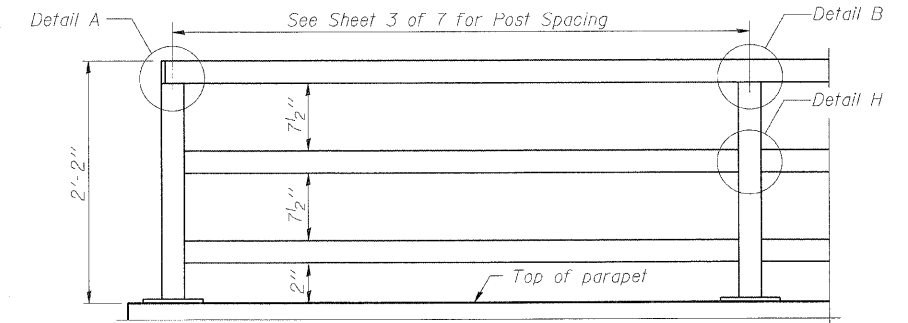
STATE OF ILLINOIS  
DEPARTMENT OF TRANSPORTATION



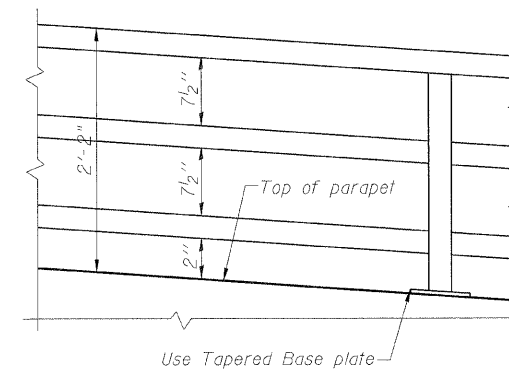
**ELEVATION**  
Station 122+24.61



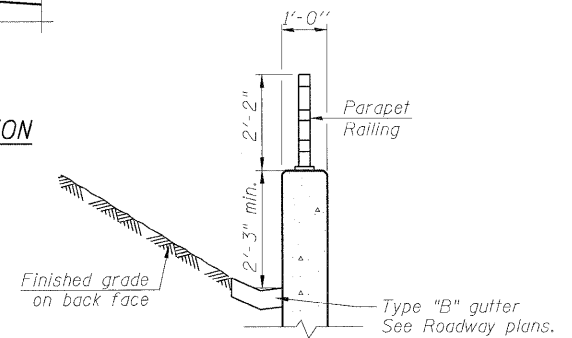
**PLAN**  
Station 122+24.61



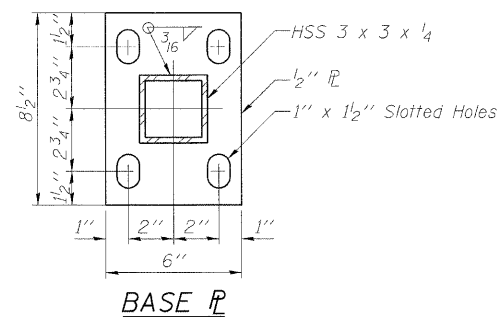
**PARAPET RAILING  
ELEVATION**  
(Inside Face of Three Element Rail)



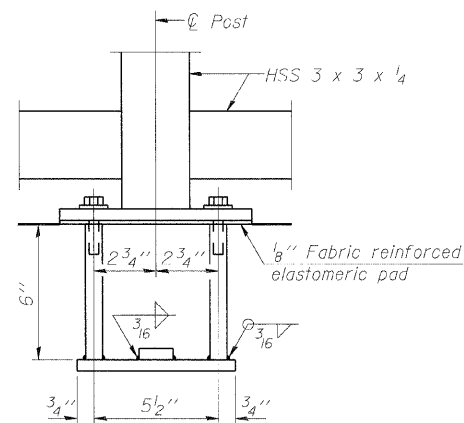
**PARAPET RAILING ELEVATION**  
(Inclined top of wall)



**SECTION THRU PARAPET**

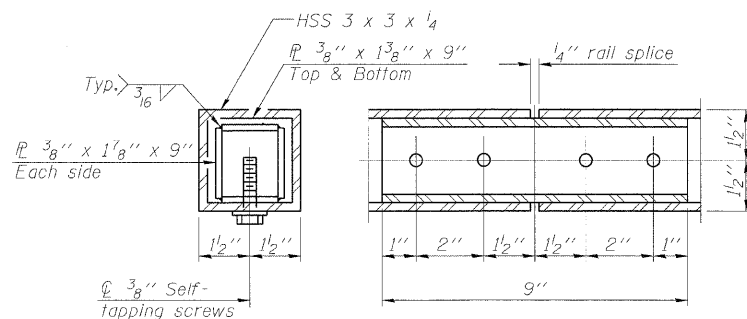
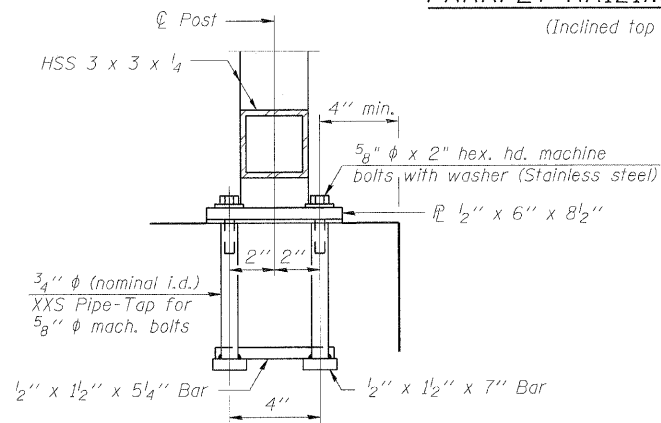


**BASE PL**

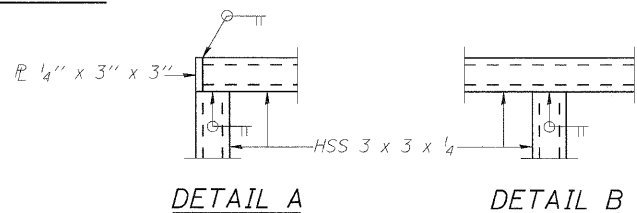


**ANCHOR BOLT DETAILS**

In lieu of the cast-in-place anchor device shown, the Contractor has the option of drilling and setting 5/8 inch diameter anchor rods according to Article 509.05 of the Standard Specifications. Embedment shall be according to the manufacturer's specifications.

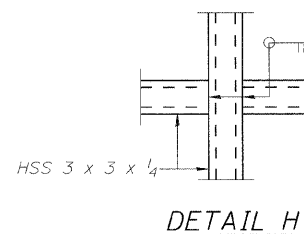


**RAIL SPLICE**



**DETAIL A**

**DETAIL B**



**DETAIL H**

MID-AMERICA ENGINEERING SERVICES

**BILL OF MATERIAL**

Item	Unit	Quantity
Parapet Railing	Foot	92

DESIGNED - KRG
CHECKED - MJK
DRAWN - GSJ
CHECKED - MJK

NOTE: All steel railing elements shall be galvanized according to article 509.05 of the Standard Specifications.

HHCS designates Hexagonal head cap screws  
HHS designates hollow structural section.

**PARAPET RAILING**

SHEET NO. 6	F.A.P. RTE.	SECTION	COUNTY	TOTAL SHEETS	SHEET NO.
7 SHEETS	600	60-(30,31,128)-1	Madison	399	271
RETAINING WALL 2			CONTRACT NO. 76830		
FED. ROAD DIST. NO. ILLINOIS FED. AID PROJECT					