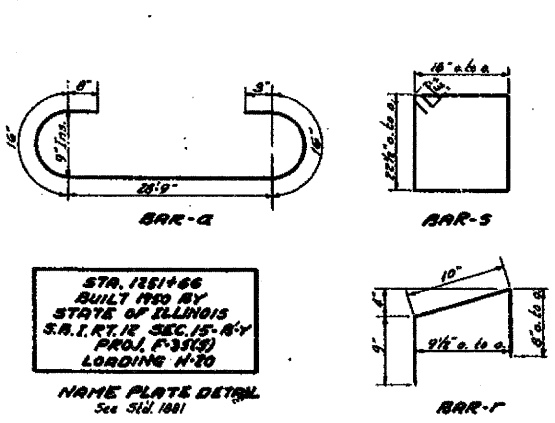
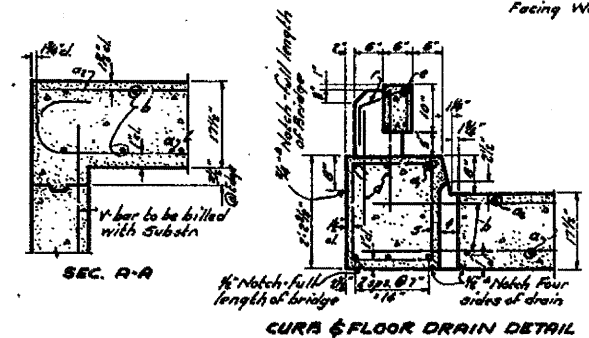
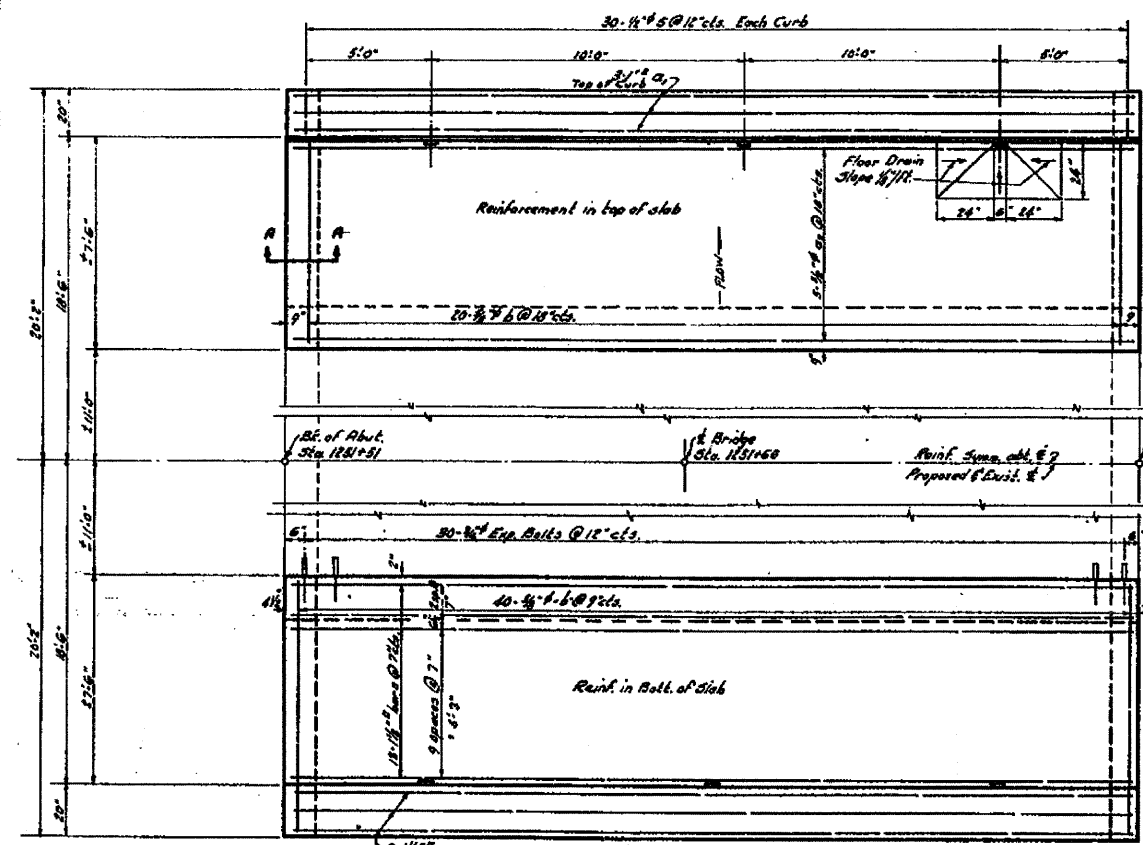
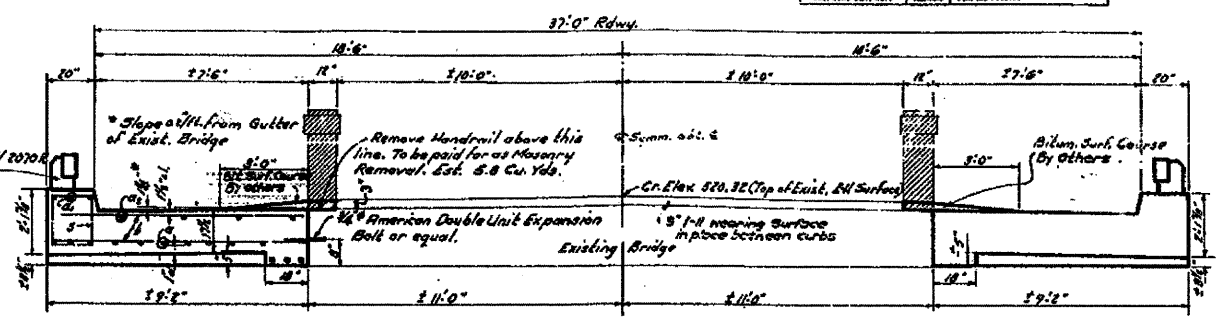
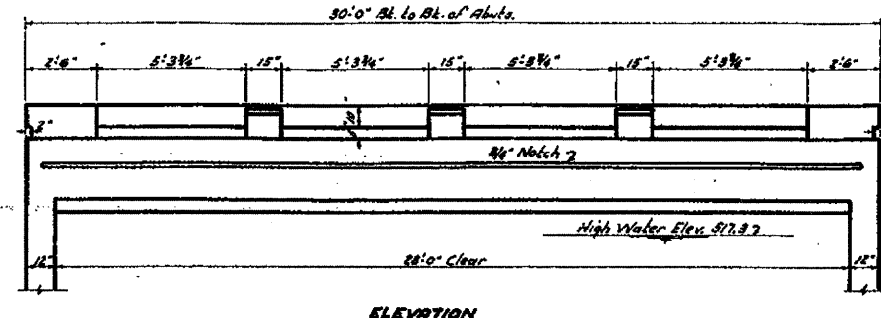


STATE OF ILLINOIS  
DEPARTMENT OF PUBLIC WORKS & BUILDINGS  
DIVISION OF HIGHWAYS

DESIGN NO.	SECTION	COUNTY	TOTAL SHEETS	SHEET NO.
12	15B-1	MARION	8	6
SHEET NO. 1 2 SHEETS				

B.M. Top of S.E. Wing (next to Rail) Elev. 520.00  
Salvage - Contractor shall remove existing Handrail & Part of Wings. Materials for re-use - None.



GENERAL NOTES

Class X Concrete shall be used throughout, except as noted.  
Handrail Concrete shall be used in the Handrail & Parts.  
Handrail shall not be poured until falsework has been removed.  
Concrete Floor Slab shall be finished in accordance with Art. 61.3 (a) of the Standard Specifications.  
The concrete floor slab on each side of existing structure shall be poured in one continuous operation.  
For Backfill behind Abuts., see Art. 23.2C(1) of S.D.S. Specs.  
The cost of furnishing and installing copper seal, cement nails, and joint filler shall be included in contract unit price for Class X Concrete.  
Contract unit price each for Exp. Bolts shall include furnishing, drilling holes, and setting Exp. Bolts.

WATERWAY DATA

Drainage Area 3008 Acres  
Character: Rolling, clay, wooded, cultivated,  
C&EJ remain No. of Bridge  
Proposed & Present Opening: 160 sq. ft.  
Req'd " in Talbot's Formula = 0.4  
Req'd Opening by Formula = 165 sq. ft.

BILL OF MATERIAL - SUPERSTRUCTURE

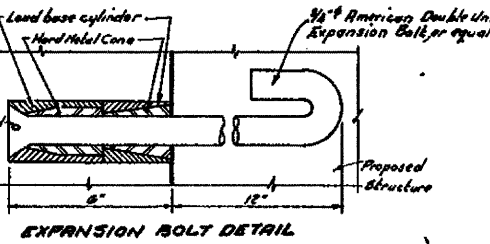
Bar	No.	Size	Length	Shape
a	26	1/2"	22'-0"	
b	4	1"	28'-0"	
c	10	3/4"	27'-6"	
d	120	1/4"	6'-0"	
e	44	3/8"	2'-9"	
f	2	1/2"	27'-0"	
g	20	1/2"	2'-0"	
h	60	1/2"	7'-0"	
Class X Concrete				Cu. Yds. 26.1
Handrail Concrete				Cu. Yds. 1.6
Reinforcement Bars				Lbs. 6200
Expansion Bolts				Ea. 60
Masonry Removal				Cu. Yds. 5.8
Name Plate				Ea. One

TOTAL BILL OF MATERIAL

Item	Super.	Sub.	Total
Class X Concrete	Cu. Yds. 34.1	56.2	90.3
Handrail Concrete	Cu. Yds. 1.6		1.6
Reinforcement Bars	Lbs. 6200	2100	8300
Masonry Removal	Cu. Yds. 5.8	1.2	7.0
Expansion Bolts	Ea. 60	80	140
Name Plate	Ea. One		One
Class A Excav. for Struct.	Cu. Yds. 1	49	50
Class B Excav. for Struct.	Cu. Yds. 1	170	171

STRESSES

f<sub>c</sub> 20,000 psi  
f<sub>s</sub> 18,000 psi Super  
f<sub>s</sub> 8000 psi Sub  
n 10  
Loading H-20-S16



DESIGNED: *Raffl Healdt*  
CHECKED: *J. G. [Signature]*  
DRAWN: *[Signature]*  
EXAMINED: *[Signature]*  
PASSED: *[Signature]*  
APPROVED: *[Signature]*

Revised wearing surface (7-26-50)  
Revised 3/15/51 - Added Class A & B Excavation for Structures H.N.C.

PROJ. P-3502  
S.E.I. RT. 12 (COMMERCIAL) SEC. 15-B-Y  
MARION CO.  
STA. 1281+66

FILE NAME =	USER NAME = 0150518	DESIGNED -	REVISED -	STATE OF ILLINOIS	EXISTING STRUCTURE PLANS	F.A.M. #	SECTION	COUNTY	TOTAL SHEETS	SHEET NO.
07FILE4		DRAWN -	REVISED -	DEPARTMENT OF TRANSPORTATION	FOR INFORMATION ONLY	327	15B-1	MARION	88	44
		CHECKED -	REVISED -						CONTRACT NO. T6A55	
		PLOT DATE = 8/04/50	DATE -			SCALE:	SHEET NO. 3 OF 4 SHEETS	STA.	TO STA.	ILLINOIS FED. AID PROJECT