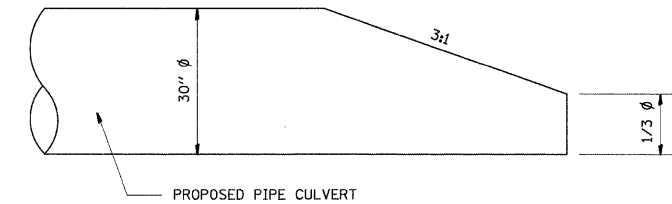


**DETECTOR LOOP INSTALLED IN TRENCH**

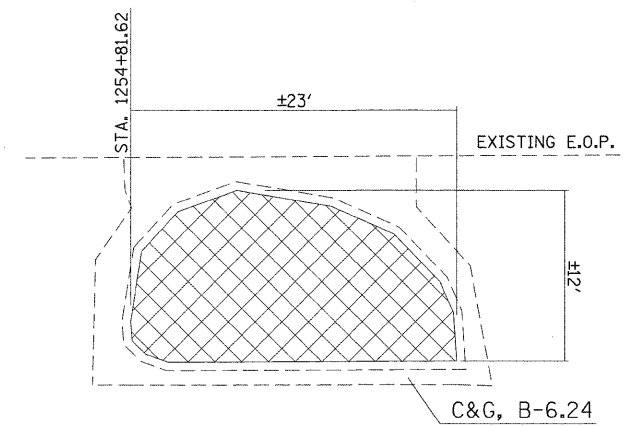
INSTALLATION IS TO BE DONE IN CONFORMANCE WITH THE REQUIREMENTS OF THE PLANS AND SECTION 886 OF THE STANDARD SPECIFICATIONS WITH THE FOLLOWING EXCEPTIONS:

1. SLOTS ARE TO BE TRENCHED INSTEAD OF SAWED.
2. THIS WORK SHALL NOT BE PAID FOR SEPERATELY BUT SHALL BE INCLUDED IN THE COST OF "TEMPORARY BRIDGE TRAFFIC SIGNALS (STATE FURNISHED CONTROLLER)" - 1 EACH.

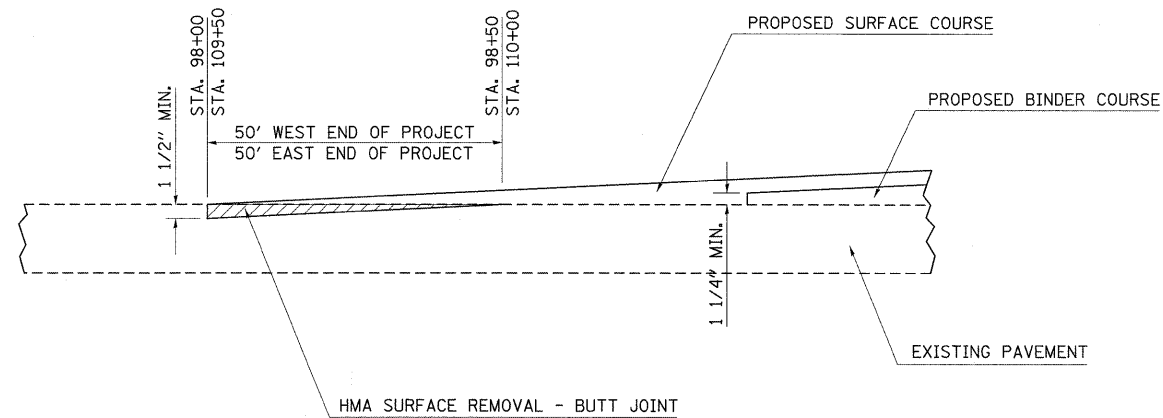


**BEVELED END SECTION**

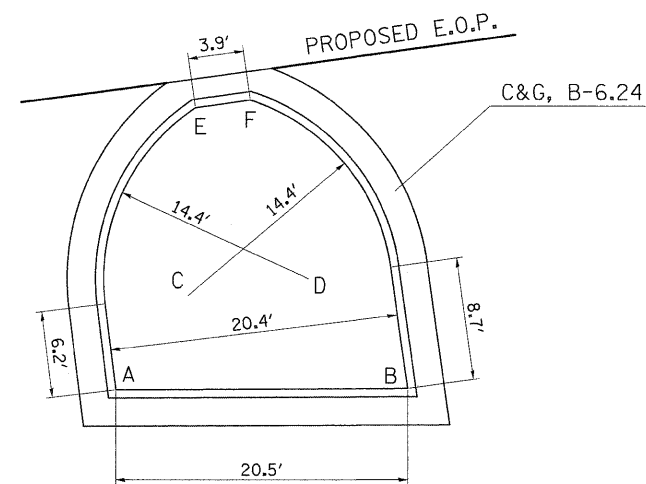
THE BEVELED END PORTION WILL BE PAID FOR AT THE SAME UNIT PRICE PER LINEAL FOOT AS THE PIPE CULVERT



EXISTING CONCRETE MEDIAN TO BE REMOVED



**BUTT JOINT DETAIL**



PROPOSED CONCRETE MEDIAN

LOCATION	STATION	OFFSET
A	100+97.16	33.94
B	101+17.55	36.66
C	101+03.11	28
D	101+11.65	28
E	101+05.37	15
F	101+09.29	15

FILE NAME =	USER NAME = harbaughrd	DESIGNED -	REVISED -	<b>STATE OF ILLINOIS DEPARTMENT OF TRANSPORTATION</b>	<b>MISCELLANEOUS DETAILS</b>				F.A.P. RTE.	SECTION	COUNTY	TOTAL SHEETS	SHEET NO.
ct:\pe_work\PW\DOT\HARBAUGH\RD\dms52298\in03007a.dgn		DRAWN -	REVISED -		327	15B-1	MARION	58	46				
PLOT SCALE = 50.0000' / IN.		CHECKED -	REVISED -		CONTRACT NO. 76A59								
PLOT DATE = 12/18/2009		DATE -	REVISED -		ILLINOIS FED. AID PROJECT								
				SCALE: NA	SHEET NO.	OF	SHEETS	STA.	TO STA.				