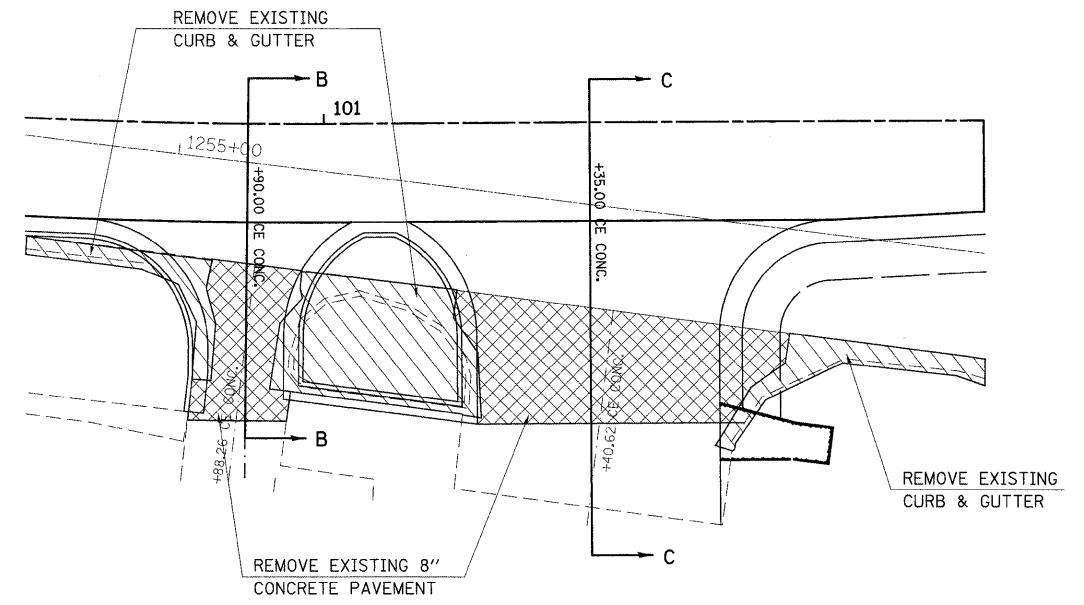
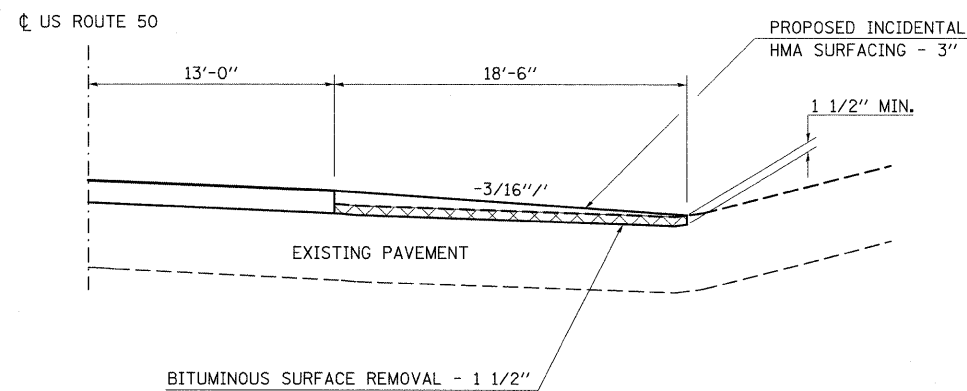


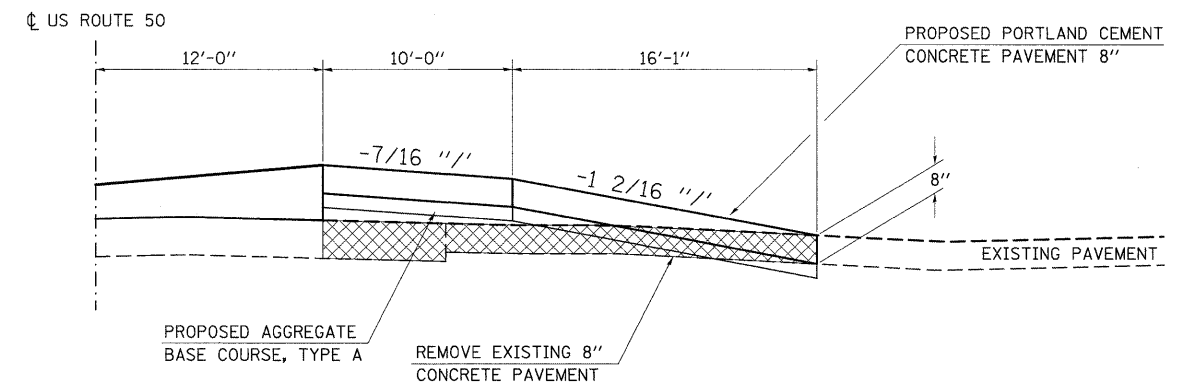
LACKEY AVE. REMOVAL DETAIL
PLAN VIEW



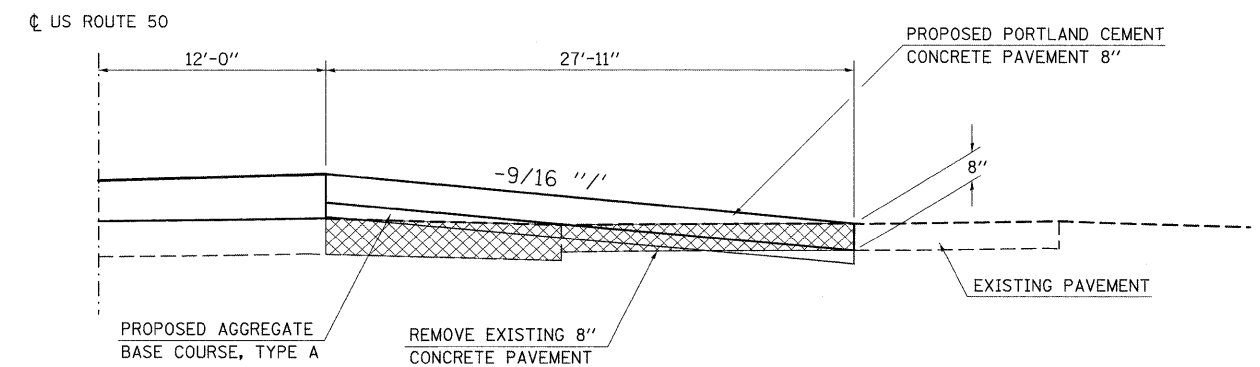
STA. 100+90 & STA. 101+35 REMOVAL DETAIL
PLAN VIEW



SECTION DETAIL A-A
CL LACKEY AVE.



SECTION DETAIL B-B
CL STA. 100+90



SECTION DETAIL C-C
CL STA. 101+35

FILE NAME =	USER NAME = harbaughhd	DESIGNED -	REVISED -
c:\pwork\VPWIDOT\HARBAUGHHD\dms52290	in03007a.dgn	DRAWN -	REVISED -
	PLOT SCALE = 50.0000' / IN.	CHECKED -	REVISED -
	PLOT DATE = 12/11/2009	DATE -	REVISED -

STATE OF ILLINOIS
DEPARTMENT OF TRANSPORTATION

ENTRANCE DETAILS

SCALE: SHEET NO. 1 OF 3 SHEETS STA. TO STA.

F.A.P. RTE.	SECTION	COUNTY	TOTAL SHEETS	SHEET NO.
327	15B-1	MARION	58	47
CONTRACT NO. 76A59				
[ILLINOIS] FED. AID PROJECT				