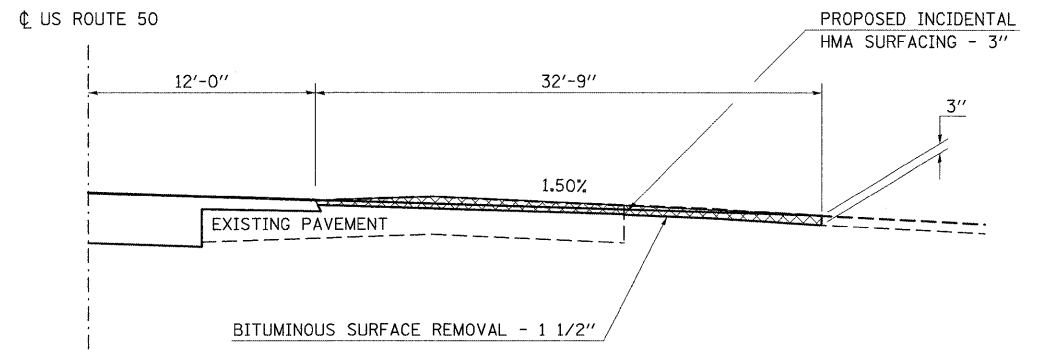
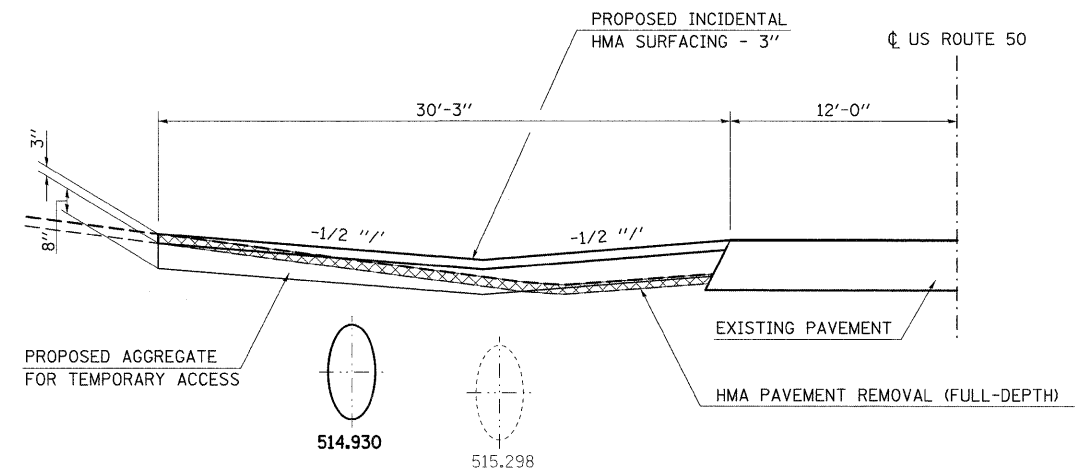


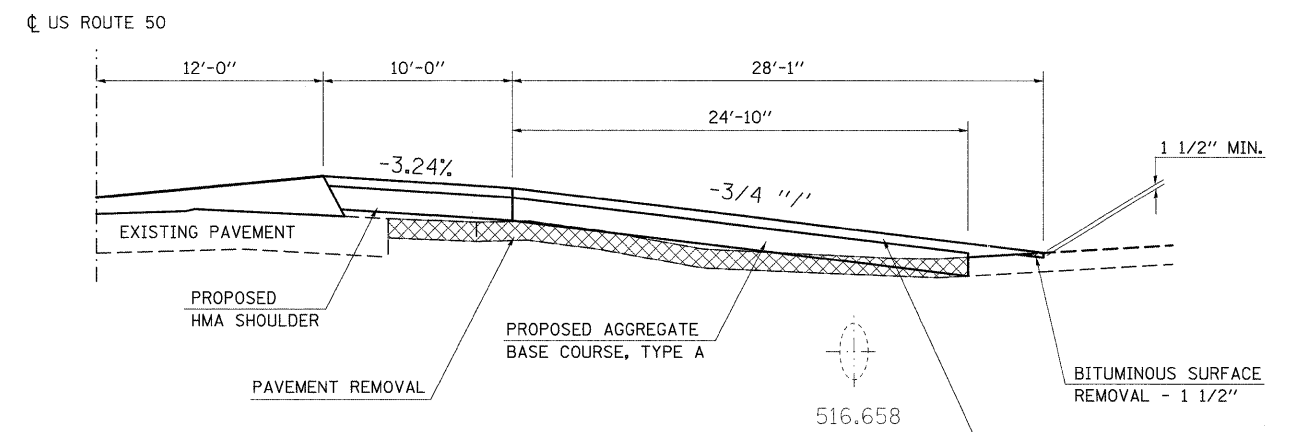
STA. 106+50, 106+75 & 107+50 REMOVAL DETAIL  
PLAN VIEW



SECTION DETAIL D-D  
CL STA. 106+50



SECTION DETAIL E-E  
CL STA. 106+75



SECTION DETAIL F-F  
CL STA. 107+50

FILE NAME =	USER NAME = barbaughrd	DESIGNED -	REVISED -
ct\p\work\FWIDOT\HARBAUGH\RD\ams52290\1n03007a.dgn		DRAWN -	REVISED -
	PLOT SCALE = 50.0000' / IN.	CHECKED -	REVISED -
	PLOT DATE = 12/10/2009	DATE -	REVISED -

STATE OF ILLINOIS  
DEPARTMENT OF TRANSPORTATION

ENTRANCE DETAILS

SCALE: SHEET NO. 2 OF 3 SHEETS STA. TO STA.

F.A.P. RTE.	SECTION	COUNTY	TOTAL SHEETS	SHEET NO.
327	15B-1	MARION	58	48
CONTRACT NO. 76A59				
ILLINOIS FED. AID PROJECT				