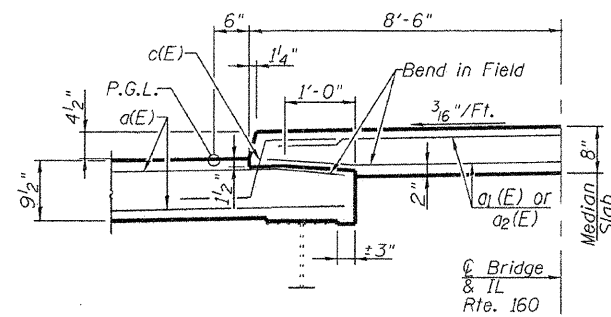


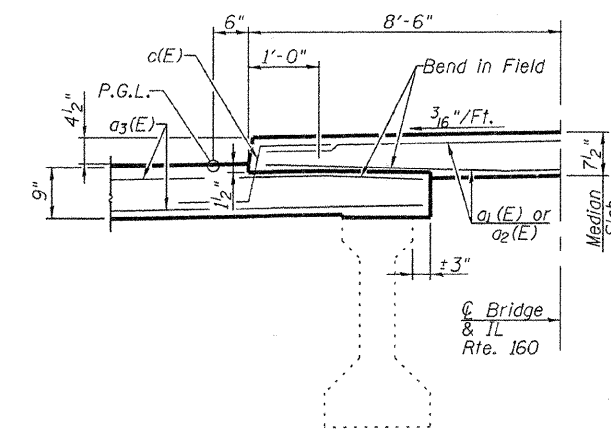
CROSS SECTION THRU SPAN AT END OF DECK

(Looking South)

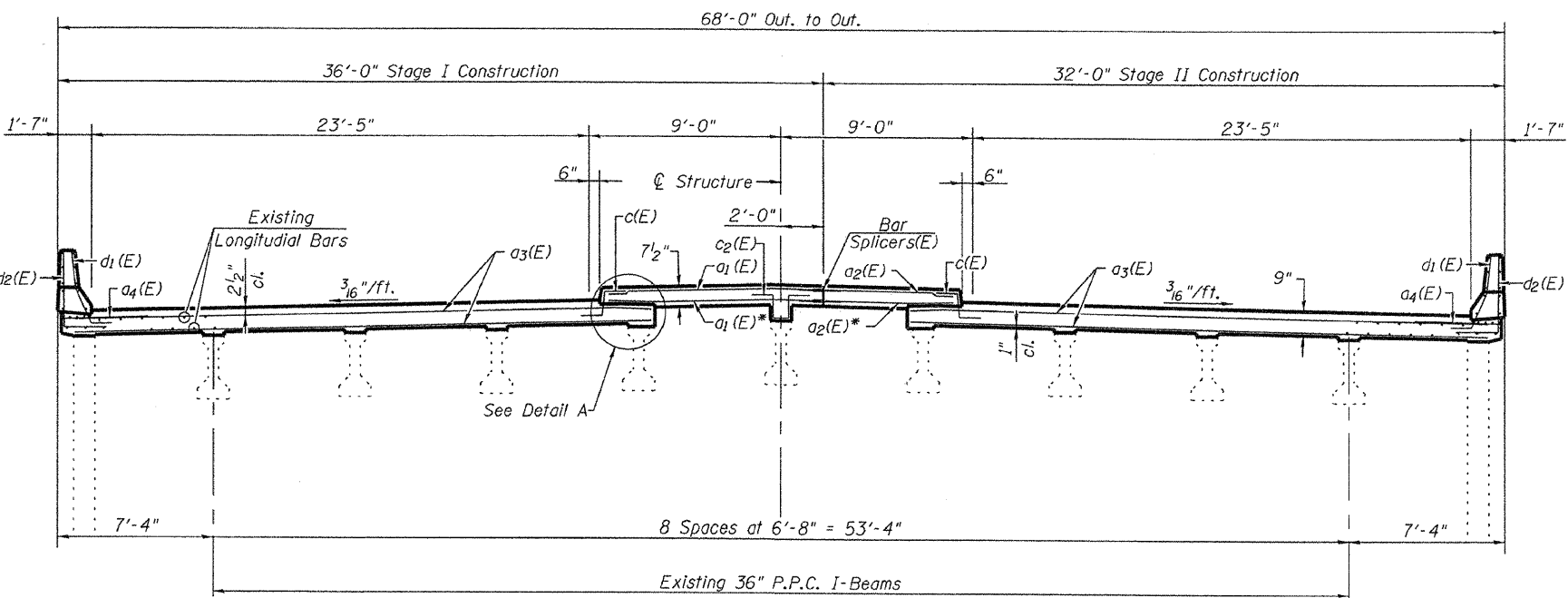
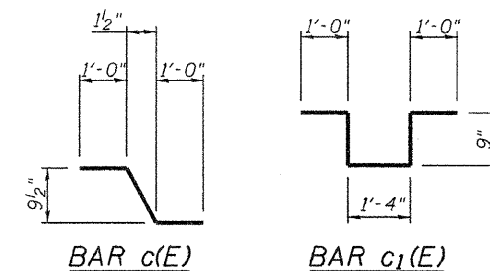
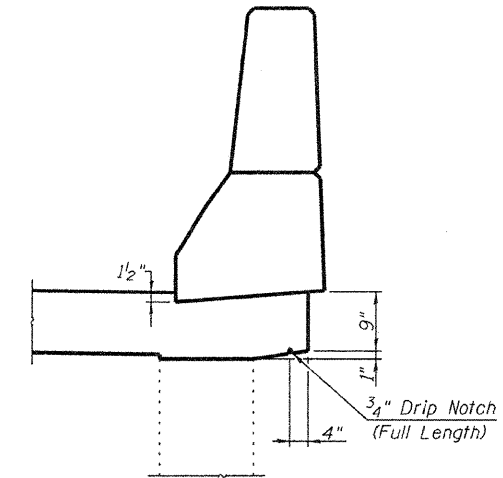
* Field bend $a_1(E)$ and $a_2(E)$ as required to facilitate placement



DETAIL B



DETAIL A

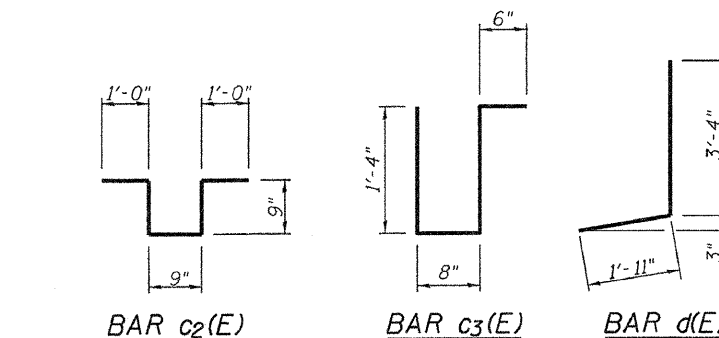


CROSS SECTION THRU APPROACH SLAB AT DIAPHRAGM

(Looking South)

Notes:

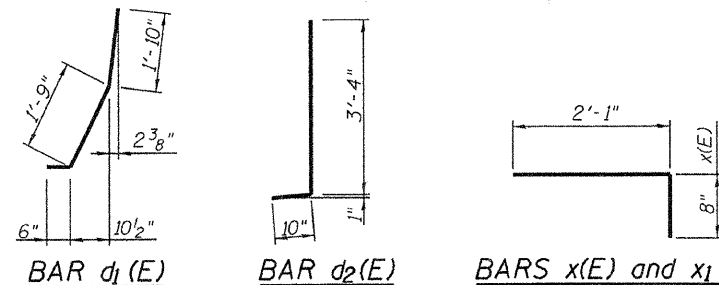
Protective Coat shall be applied to the entire deck surface and as specified in Article 503.19 of the Standard Specifications, which includes the deck surface, top and inside faces of parapets, face of curbs, and top of median.



BAR c2(E)

BAR c3(E)

BAR d(E)



BAR d1(E)

BAR d2(E)

BARS x(E) and x1(E)

BILL OF MATERIAL

Bar	No.	Size	Length	Shape
$a(E)$	40	#5	24'-6"	—
$a_1(E)$	40	#5	10'-1"	—
$a_2(E)$	40	#5	6'-1"	—
$a_3(E)$	40	#5	26'-10"	—
$a_4(E)$	24	#6	4'-0"	—
$c(E)$	40	#5	2'-10"	⌒
$c_1(E)$	10	#5	4'-10"	⌒
$c_2(E)$	10	#4	4'-3"	⌒
$c_3(E)$	34	#5	3'-10"	⌒
$d(E)$	12	#4	5'-3"	⌒
$d_1(E)$	24	#5	4'-1"	⌒
$d_2(E)$	12	#4	4'-2"	⌒
$x(E)$	96	#5	2'-9"	⌒
$x_1(E)$	34	#5	3'-1"	⌒
Reinforcement Bars, Epoxy Coated		Lbs.	3855	
Concrete Superstructure		Cu. Yd.	27.5	
Bar Splicers		Each	40	
Protective Coat		Sq. Yd.	1877	
Polymer Concrete		Cu. Ft.	4.0	

**SUPERSTRUCTURE DETAILS
IL. ROUTE 160 OVER U.S. ROUTE 50
S.N. 014-0065**



Allen Henderson & Associates, Inc.
Civil and Structural Engineers Springfield, IL.
62703 Phone: (217)544-8033 IL. Design Firm
No. 184-001907

SHEET NO. 7
14 SHEETS

F.A.P. RTE.	SECTION	COUNTY	TOTAL SHEETS	SHEET NO.
690	14-12BR-1	CLINTON	72	27
CONTRACT NO. 76B27				
FED. ROAD DIST. NO. ILLINOIS FED. AID PROJECT				