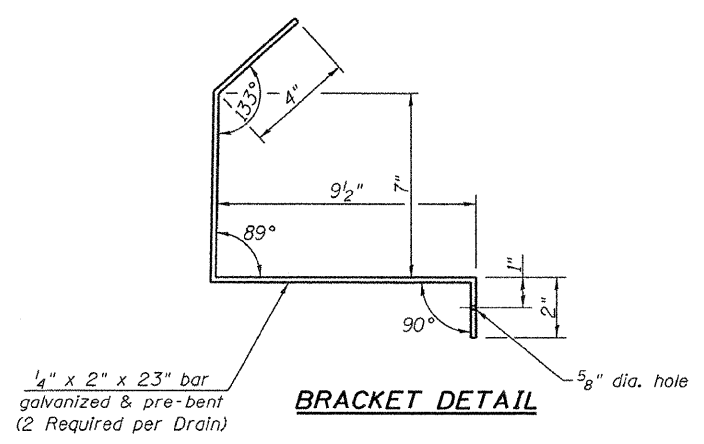
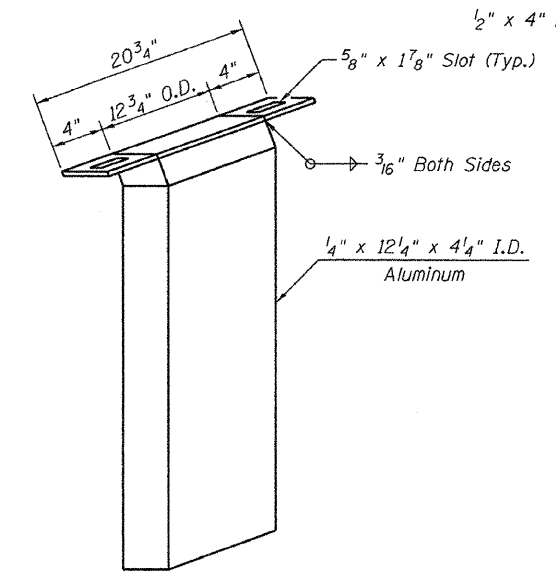


- LEGEND**
- Plug Existing Deck Drain
  - Floor Drain Extensions
  - Existing Floor Drain to be removed (Cost included with Concrete Removal)
  - \* Existing Expansion Joint to be removed and replaced. (See Sheets 5, 6 & 10 of 17)



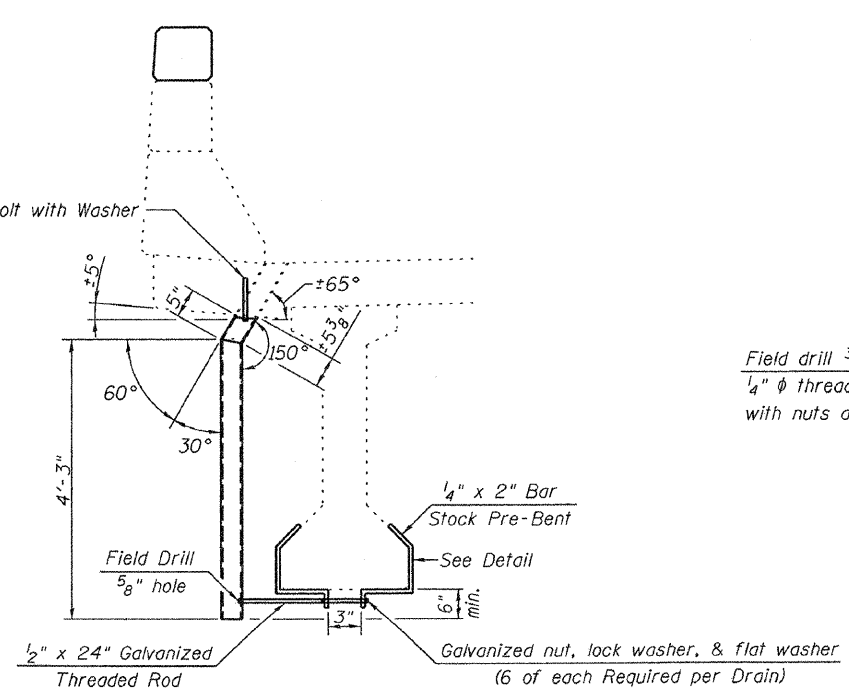
**NOTES**

Expansion bolts, washers, nuts, threaded rods, brackets will not be paid for separately but shall be included in the cost for "Floor Drain Extension".

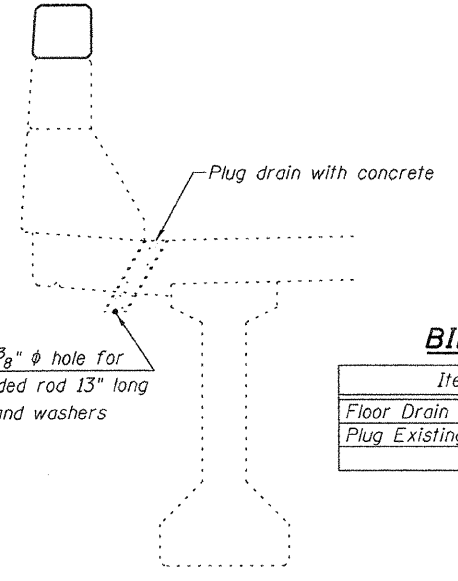


**FLOOR DRAIN EXTENSION**

**EXISTING PLAN**



**DRAIN EXTENSION PLAN**



**DRAIN ELIMINATION PLAN**

**BILL OF MATERIAL**

Item	Unit	Total
Floor Drain Extension	Each	66
Plug Existing Deck Drains	Each	114

**EXISTING SUPERSTRUCTURE & DRAIN DETAILS**  
S.N. 014-0049

**Allen Henderson & Associates, Inc.**  
Civil and Structural Engineers Springfield, IL.  
62703 Phone: (217)544-8033 IL Design Firm  
No. 184-001907

SHEET NO. 4  
17 SHEETS

F.A.P. RTE.	SECTION	COUNTY	TOTAL SHEETS	SHEET NO.
327	14-12BR-1	CLINTON	72	48
CONTRACT NO. 76B27				
FED. ROAD DIST. NO. - ILLINOIS FED. AID PROJECT				