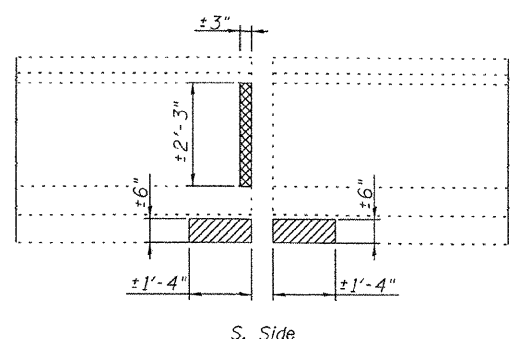
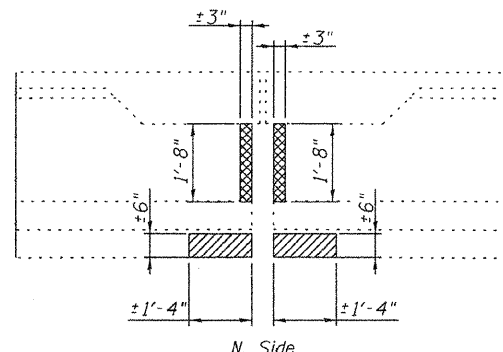


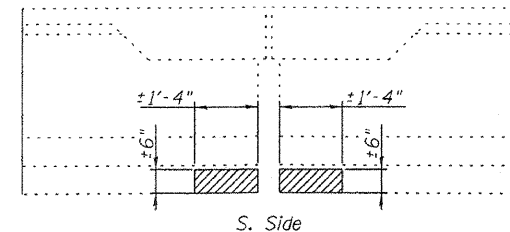
**BEAM 1**



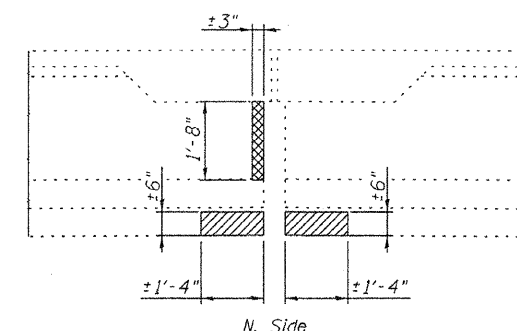
**BEAM 1**



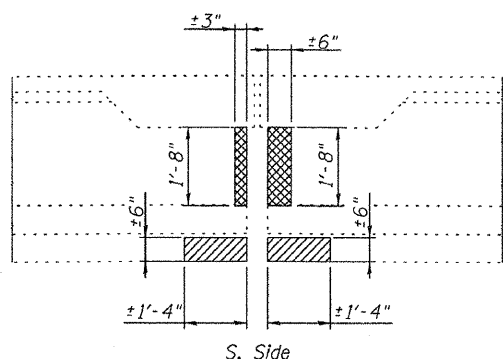
**BEAM 2**



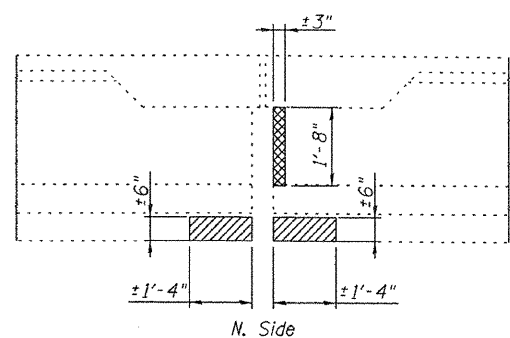
**BEAM 2**



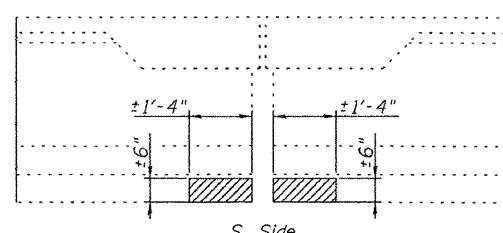
**BEAM 3**



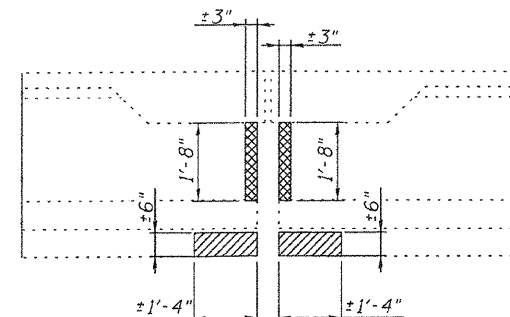
**BEAM 3**



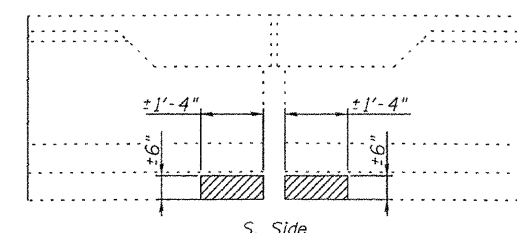
**BEAM 4**



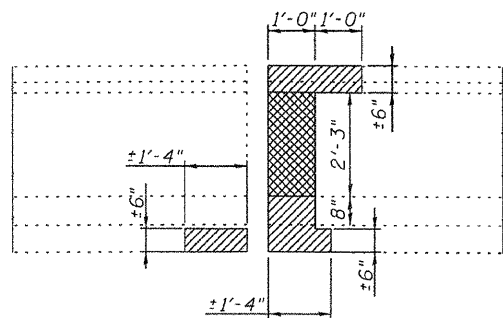
**BEAM 4**



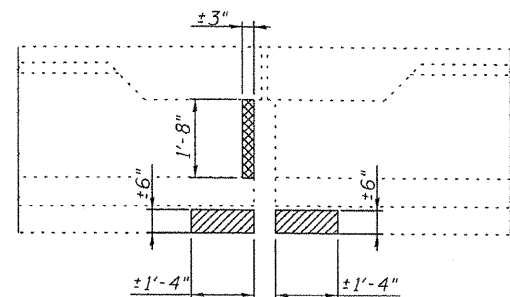
**BEAM 5**



**BEAM 5**



**BEAM 6**



**BEAM 6**


Note:  
 Hatched area indicates approximate area of Structural Repair of Concrete.  
 Cross-Hatched area indicates approximate area of Polymer Modified Portland Cement Mortar.  
 Exact repairs are to be determined by the Engineer.

**BILL OF MATERIAL**

Item	Unit	Total
* Structural Repair of Concrete (Depth equal to or less than 5")	Sq. Ft.	17.6
** Polymer Modified Portland Cement Mortar	Sq. Ft.	7.4

- \* Damaged areas within the beam's flanges are to be repaired per Structural Repair of Concrete (Depth equal to or less than 5") only.
- \*\* Damaged area within the beam's web are to be repaired per Polymer Modified Portland Cement Mortar only.

**PPC I-BEAM REPAIR DETAILS  
 (PIER 6)  
 S.N. 014-0049**

 <b>Allen Henderson &amp; Associates, Inc.</b> Civil and Structural Engineers Springfield, IL 62703 Phone: (217)544-8033 IL Design Firm No. 184-001907	SHEET NO. 16  17 SHEETS	F.A.P. RTE.	SECTION	COUNTY	TOTAL SHEETS	SHEET NO.
		327	14-12BR-1	CLINTON	72	60
		CONTRACT NO. 76B27				
		FED. ROAD DIST. NO.	ILLINOIS	FED. AID PROJECT		