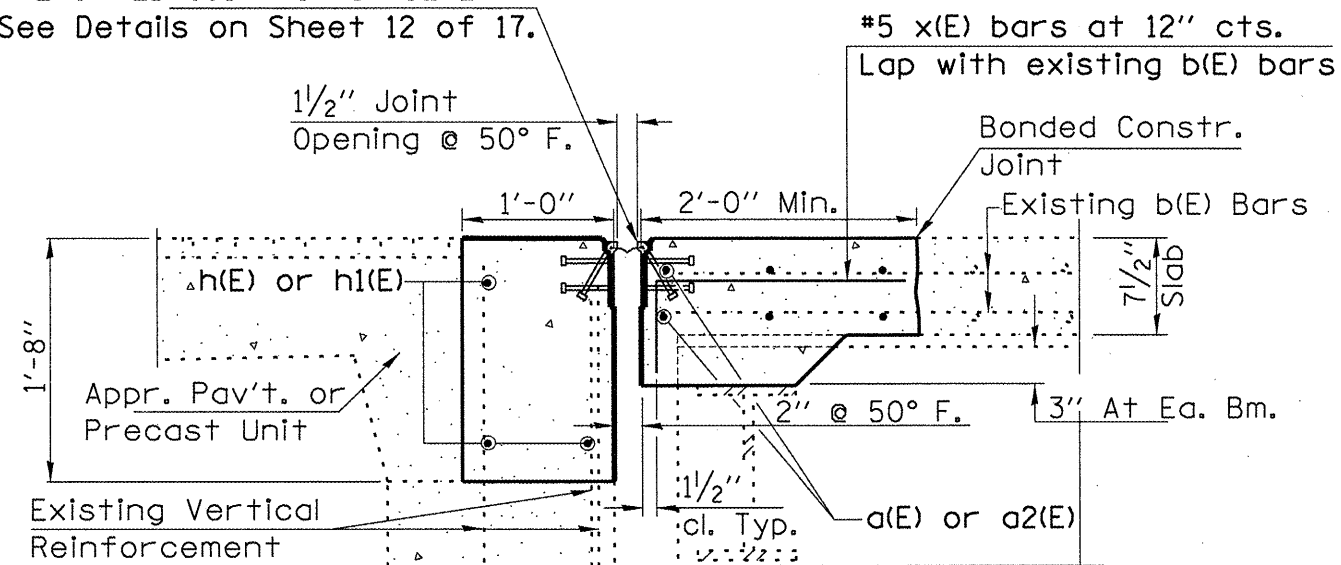


SECTION A-A
Showing Removal

(At Right Angle to Abutment)

See Section Thru Curb
on Sheet 11 of 17.

PREFORMED JOINT STRIP SEAL
See Details on Sheet 12 of 17.



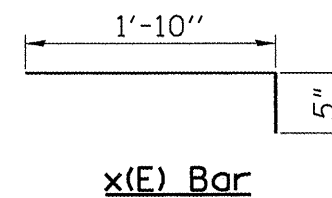
SECTION B-B
Showing Reinforcement

(At Right Angle to Abutment)

BILL OF MATERIAL
JOINT RECONSTRUCTION

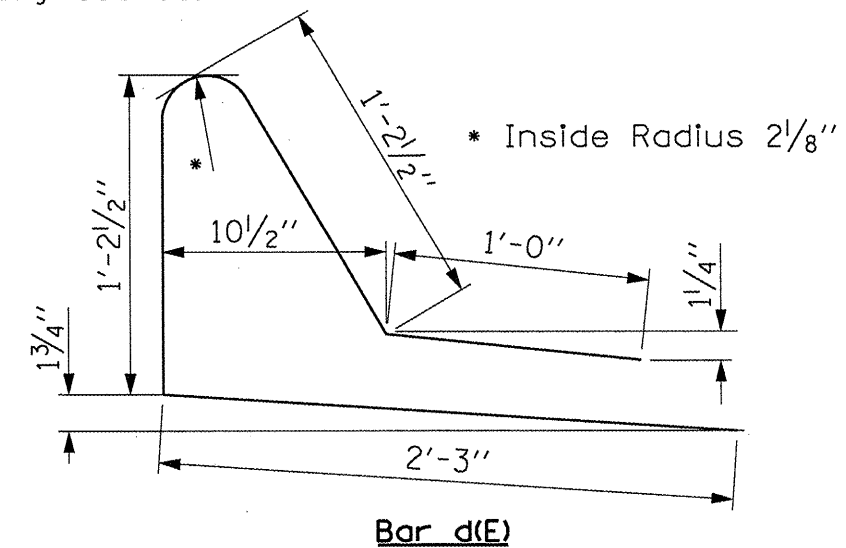
Bar	No.	Size	Length	Shape
a(E)	12	#6	18'-0"	—
a1(E)	12	#6	4'-9"	—
a2(E)	12	#6	15'-7"	—
d(E)	14	#5	5'-8"	⌒
h(E)	6	#6	18'-0"	—
h1(E)	6	#6	15'-7"	—
x(E)	64	#5	2'-3"	└
Concrete Removal			Cu. Yd.	8.5
Concrete Superstructure			Cu. Yd.	8.9
Bar Splicers			Each	18
Reinforcement Bars, Epoxy Coated			Pound	1230

Reinforcement bars designated (E) shall be epoxy coated.



MINIMUM BAR LAPS

- #5 Bar = 2'-2"
- #6 Bar = 2'-7"



FILE NAME =	USER NAME = gautneyrk	DESIGNED -	REVISD -
ca:\pwwork\pwwork\gautneyrk\08156602\78153-sht-pln.dgn		DRAWN -	REVISD -
PLOT SCALE = 20:0:0 1' / IN.		CHECKED -	REVISD -
PLOT DATE = 12/9/2009		DATE -	REVISD -

STATE OF ILLINOIS
DEPARTMENT OF TRANSPORTATION

SCALE: _____	SHEET NO. _____ OF _____ SHEETS	STA. _____ TO STA. _____
--------------	---------------------------------	--------------------------

S.B.L. RTE.	SECTION	COUNTY	TOTAL SHEETS	SHEET NO.
34	3(I-1)	POPE	17	9
CONTRACT NO. 78153			ILLINOIS FED. AID PROJECT	