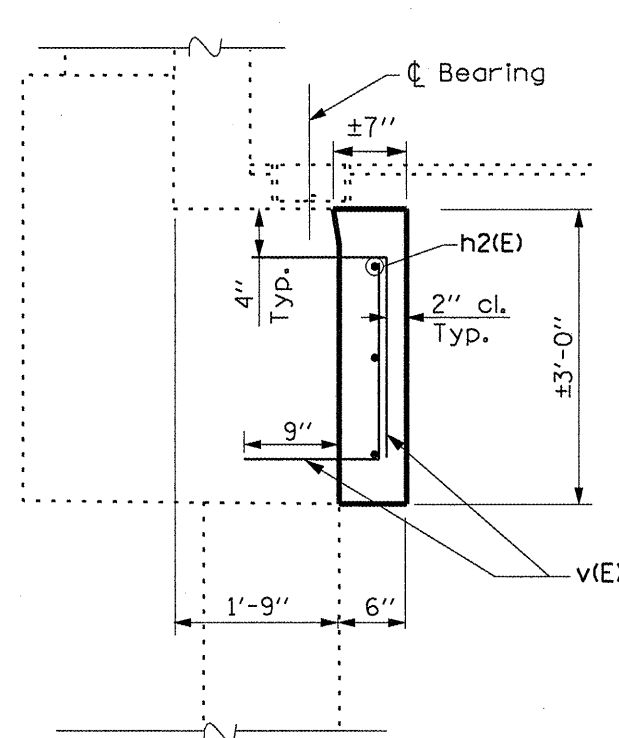


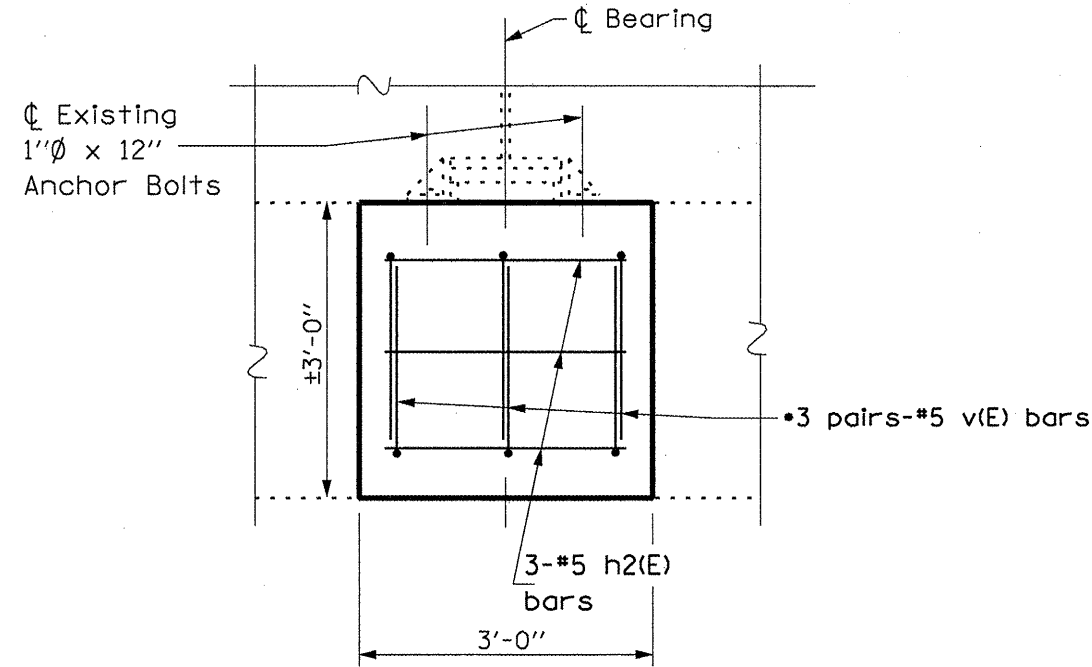
**BILL OF MATERIAL
CONCRETE REPAIR**

Bar	No.	Size	Length	Shape
h2(E)	3	#5	2'-8"	—
v(E)	6	#5	3'-5"	└
Concrete Structures			Cu. Yd.	0.2
Reinforcement Bars, Epoxy Coated			Pound	30

Reinforcement bars designated (E) shall be epoxy coated.



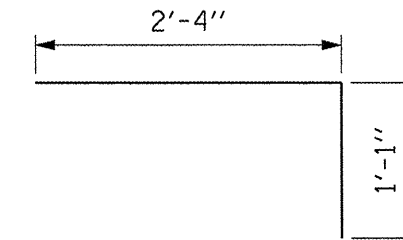
SECTION



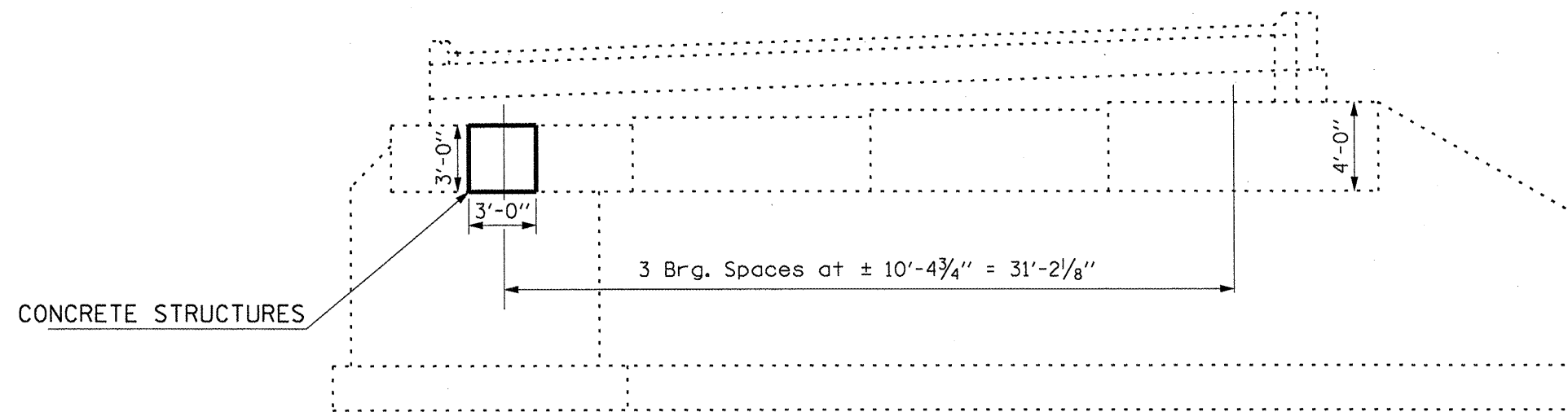
ELEVATION

* Epoxy grout v(E) bars in 9" min. holes according to Article 584 of the Standard Specifications. Cost included with "Reinforcement Bars, Epoxy Coated".

CONCRETE REPAIR



v(E) Bars



WEST ABUTMENT ELEVATION

Dimensions Parallel to Face of Abutment

**CONCRETE REPAIR
WEST ABUTMENT**

FILE NAME =	USER NAME = gautneyrk	DESIGNED -	REVISED -	STATE OF ILLINOIS DEPARTMENT OF TRANSPORTATION	S.B.I. RTE.	SECTION	COUNTY	TOTAL SHEETS	SHEET NO.
ca\pwr\work\p\dot\gautneyrk\d0156602\78	53-shr:pin.dgn	DRAWN -	REVISED -		34	3(1-1)	POPE	17	14
PLOT SCALE = 20x0@ 1" / IN.		CHECKED -	REVISED -		CONTRACT NO. 78153				
PLOT DATE = 12/9/2009		DATE -	REVISED -		ILLINOIS FED. AID PROJECT				