

F.A.I. RTE.	SECTION	COUNTY	TOTAL SHEETS	SHEET NO.
57	D9 DECK SEAL 2010-1	ALEXANDER	6	1
		ILLINOIS	CONTRACT NO. 78160	

STATE OF ILLINOIS
DEPARTMENT OF TRANSPORTATION
DIVISION OF HIGHWAYS

**PROPOSED
HIGHWAY PLANS**

F.A.I. ROUTE 57 (I-57) NB & SB
SECTION D9 DECK SEAL 2010-1
DECK SEALING AND CRACK SEALING
WITH MINOR JOINT REPAIR

ALEXANDER COUNTY
C-99-015-10

FOR INDEX OF SHEETS, SEE SHEET NO. 2
FOR SUMMARY OF QUANTITIES, SEE SHEET NO. 3

TRAFFIC DATA

I-57 TRAFFIC DATA

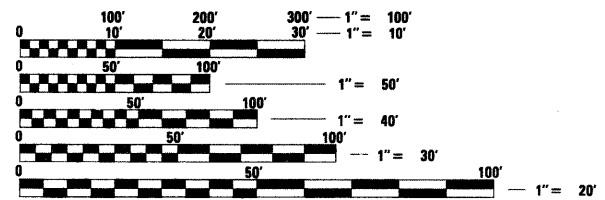
2007 ADT = 10,200
37% TRUCKS

D-99-015-10



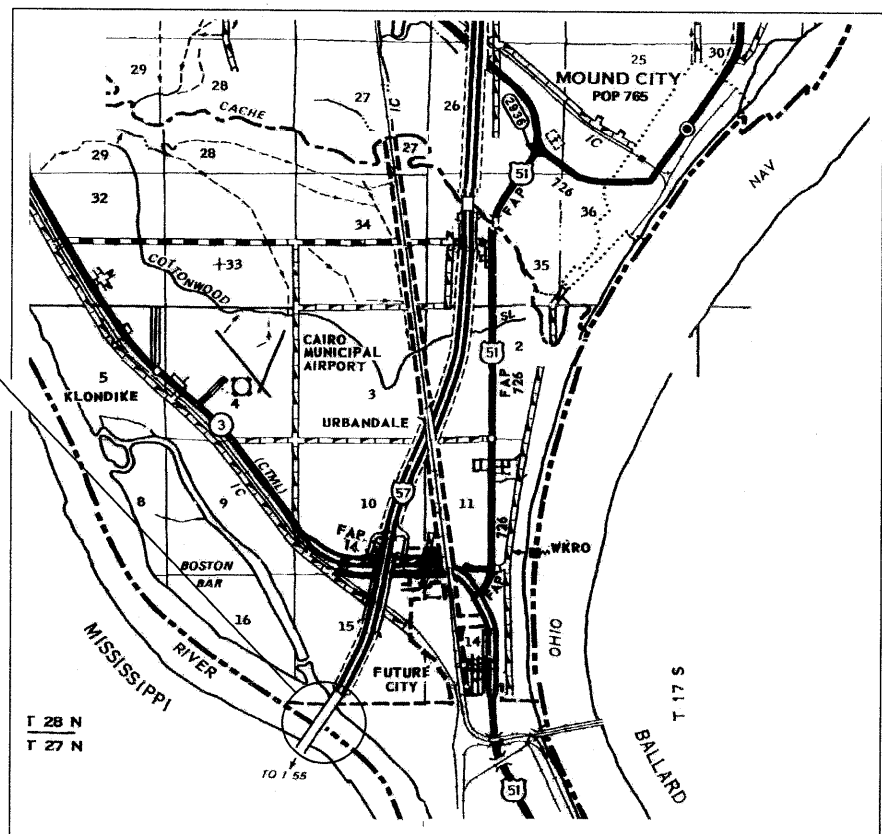
LOCATION OF SECTION INDICATED THUS: - [black box] -

EXISTING STRUCTURE NO. 002-0022
FAI 57 (I-57 NB & SB)



FULL SIZE PLANS HAVE BEEN PREPARED USING STANDARD ENGINEERING SCALES. REDUCED SIZED PLANS WILL NOT CONFORM TO STANDARD SCALES. IN MAKING MEASUREMENTS ON REDUCED PLANS, THE ABOVE SCALES MAY BE USED.

J.U.L.I.E.
JOINT UTILITY LOCATION INFORMATION FOR EXCAVATION
1-800-892-0123
OR 811



SN 002-0022
NET LENGTH OF PROJECT = 4090'-6"

PROJECT ENGINEER: DAVID PICHE (618) 351-5227
DESIGNER: BILL PORTER (618) 351-5224

CONTRACT NO. 78160

STATE OF ILLINOIS
DEPARTMENT OF TRANSPORTATION
DIVISION OF HIGHWAYS

SUBMITTED *Dec 8th* 20 09

Mark C. ...
DEPUTY DIRECTOR OF HIGHWAYS, REGION ENGINEER

Scott E. Stiet P.E. / RD
Acting ENGINEER OF DESIGN AND ENVIRONMENT

Christine M. Reed / RD
DIRECTOR OF HIGHWAYS, CHIEF ENGINEER

**PRINTED BY THE AUTHORITY
OF THE STATE OF ILLINOIS**

FILE NAME: c:\pwworkspace\pwworkspace\11\mxd\0162747\78160-plt.ctb

GENERAL NOTES

- 1) IN ADDITION TO THE REQUIREMENTS OF ARTICLE 107.16 THE CONTRACTOR SHALL PROTECT THE SURFACE OF ALL BRIDGE DECKS AND BRIDGE APPROACH PAVEMENTS IN A MANNER SATISFACTORY TO THE ENGINEER BEFORE ANY EQUIPMENT IS ALLOWED TO CROSS THE STRUCTURE. PROTECTION SHALL BE PROVIDED FOR ALL EQUIPMENT AS DEFINED IN ARTICLE 101.16 REGARDLESS IF TRACK MOUNTED OR WHEELED.
- 2) COMMITMENTS: NONE AS OF DECEMBER 11, 2009.

INDEX OF SHEETS

- 1 COVER SHEET
- 2 INDEX OF SHEETS, GENERAL NOTES, STANDARDS
- 3 SUMMARY OF QUANTITIES
- 4 STAGING DETAILS
- 5 GENERAL PLAN AND ELEVATION
- 6 SILICONE JOINT SEALER REPAIR DETAILS

STANDARDS

- 000001-05 STANDARD SYMBOLS, ABBREVIATIONS AND PATTERNS
- 701101-02 OFF-ROAD, MULTILANE 15' TO PAVEMENT EDGE
- 701400-04 APPROACH TO LANE CLOSURE FREEWAY/EXPRESSWAY
- 701401-05 LANE CLOSURE FREEWAY/EXPRESSWAY
- 701426-03 LANE CLOSURE, MULTILANE, INTERMITTENT OR MOVING OPERATION, FOR SPEEDS \geq 45 MPH
- 701901-01 TRAFFIC CONTROL DEVICES

Prepared By: Dennis W. Hillborn
DISTRICT STUDIES & PLANS ENGINEER

Examined By: James Travis Emery
DISTRICT LAND ACQUISITION ENGINEER

Examined By: Carrie Nelson
DISTRICT PROGRAM DEVELOPMENT ENGINEER

Examined By: Kurt Hilg
DISTRICT OPERATIONS ENGINEER

Examined By: John Smother
DISTRICT CONSTRUCTION ENGINEER

Examined By: Bruce W. Pickles
DISTRICT MATERIALS ENGINEER

Examined By: John Smother
DISTRICT PROJECT IMPLEMENTATION ENGINEER

Examined By: Dennis W. Hillborn
ASSISTANT REGIONAL ENGINEER

Approved By: Mary C. Lomis
DEPUTY DIRECTOR OF HIGHWAYS, REGION 5 ENGINEER

Dec 8th 2009
DATE

STATE OF ILLINOIS
DEPARTMENT OF TRANSPORTATION

INDEX OF SHEETS, GENERAL NOTES
AND STANDARDS

F.A.I. RTE.	SECTION	COUNTY	TOTAL SHEETS	SHEET NO.
57	D9 BSMART 2010-1	ALEXANDER	6	2
CONTRACT NO. 78160				
ILLINOIS FED. AID PROJECT				

SCALE: SHEET NO. OF SHEETS STA. TO STA.

USER NAME = cornellm	DESIGNED -	REVISED -
PLOT SCALE = 50,0000 1/4 IN.	DRAWN -	REVISED -
PLOT DATE = 12/7/2009	CHECKED -	REVISED -
	DATE -	REVISED -

SUMMARY OF QUANTITIES

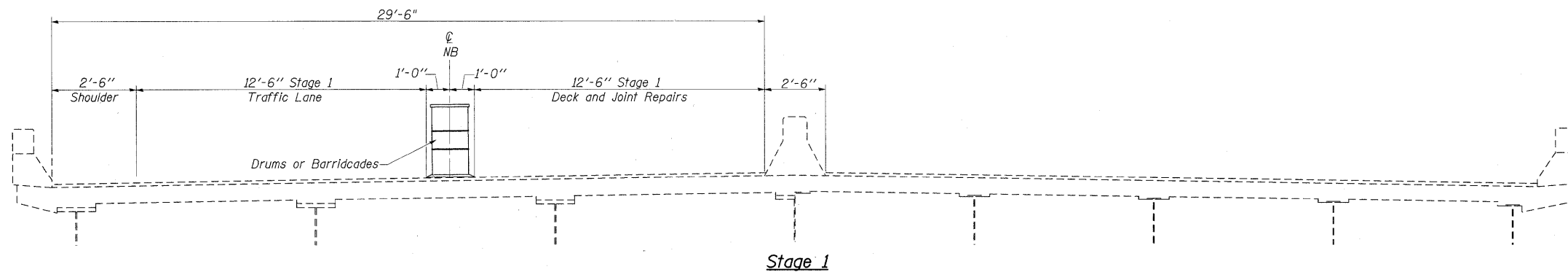
100% 100%
ILLINOIS MISSOURI

CONSTRUCTION TYPE CODE - F000

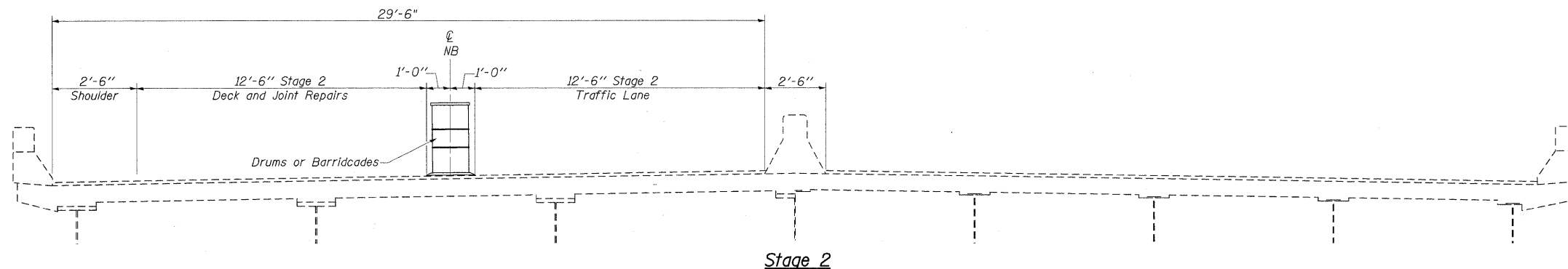
CODE NO.	ITEM DESCRIPTION	FUNDING 100% STATE			
		UNIT	TOTAL QUANTITY	ILLINOIS	MISSOURI
50300300	PROTECTIVE COAT	SQ YD	32,718	16,359	16,359
67000400	ENGINEER'S FIELD OFFICE, TYPE A	CAL MO	1	0.5	0.5
67100100	MOBILIZATION	L SUM	1	0.5	0.5
70100205	TRAFFIC CONTROL AND PROTECTION, STANDARD 701401	EACH	2	1	1
70106800	CHANGEABLE MESSAGE SIGN	CAL MO	1	0.5	0.5
X0301424	SILICONE JOINT SEALER	FOOT	429	214.5	214.5
X0320887	POLYMER CONCRETE	CU FT	0.6	0.3	0.3
X0325747	BRIDGE DECK CONCRETE CRACK SEALER	FOOT	10,000	5,000	5,000

FILE NAME: C:\WORK\BIDDING\CORRELL\BIDDING\78160\summary.dwg

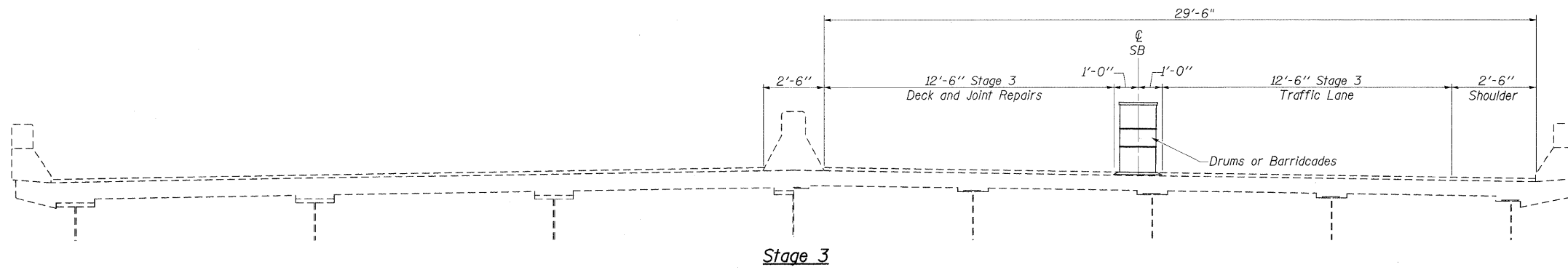
STATE OF ILLINOIS
DEPARTMENT OF TRANSPORTATION



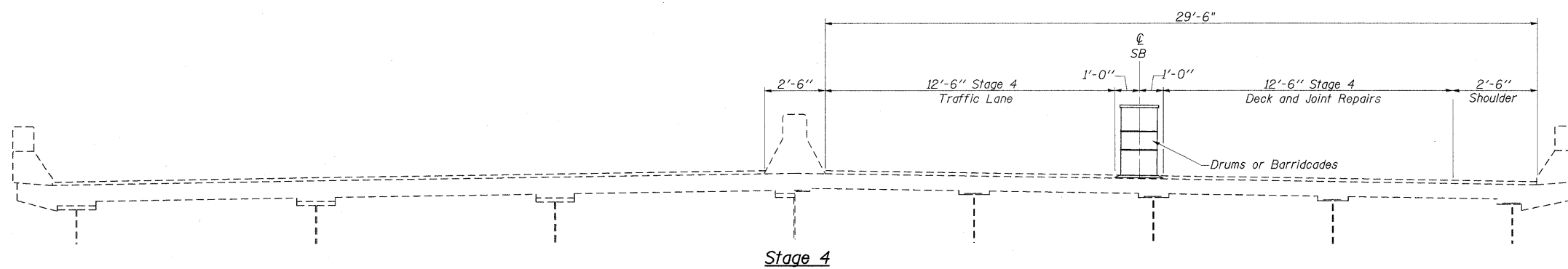
Stage 1



Stage 2



Stage 3



Stage 4

Northbound FAI-57

Southbound FAI-57

NOTES:

If the Contractor chooses to modify the suggested sequence of construction, the Contractor shall submit a revised sequence of construction and traffic control layout details for review and acceptance by the Engineer.

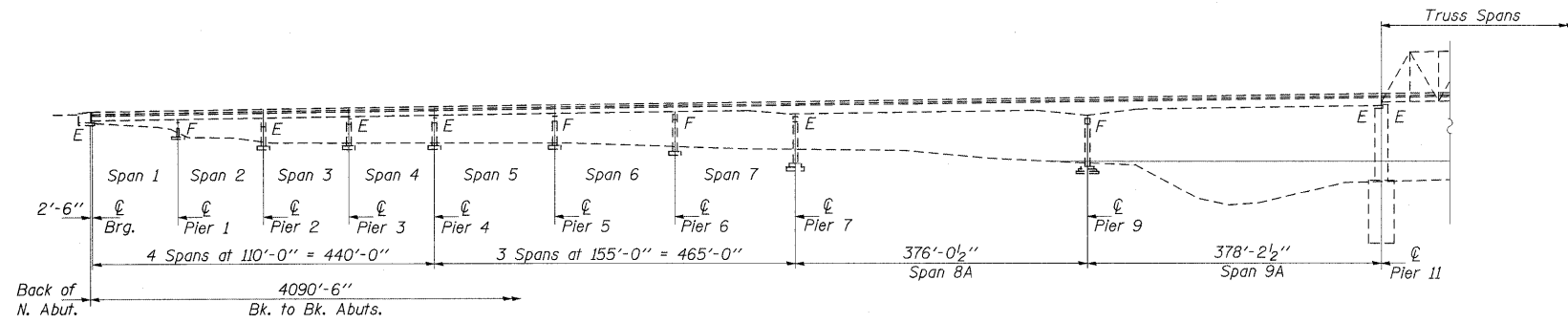
All sections looking South.

For additional traffic control details, refer to Traffic Control and Protection, Standard 701400 and Standard 701401.

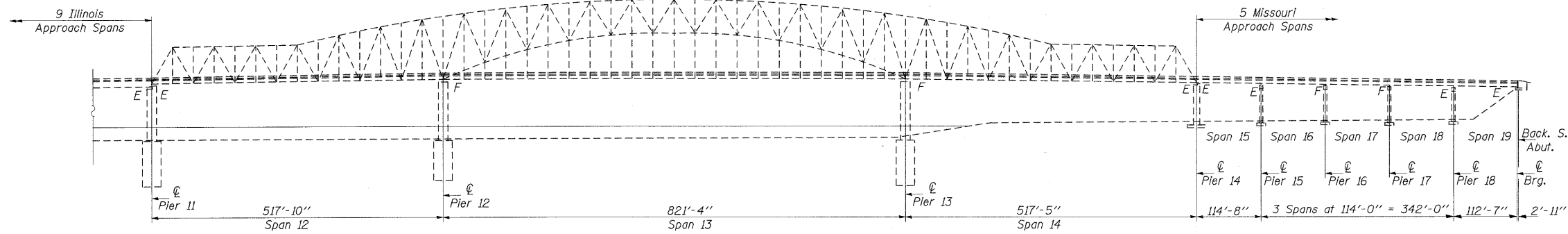
**STAGE CONSTRUCTION
DETAILS**

FILE NAME =	USER NAME = cornellm	DESIGNED -	REVISED -	STATE OF ILLINOIS DEPARTMENT OF TRANSPORTATION	STAGE CONSTRUCTION				F.A.I. RTE.	SECTION	COUNTY	TOTAL SHEETS	SHEET NO.		
c:\pw_work\pwsdot\cornellm\08162997\78150-sh-t-plan.dgn		DRAWN -	REVISED -		SCALE:	SHEET NO.	OF	SHEETS	STA.	TO STA.	57	D9 DECK SEAL 2010-1	ALEXANDER	6	4
		CHECKED -	REVISED -						CONTRACT NO. 78160						
		DATE -	REVISED -		ILLINOIS FED. AID PROJECT										

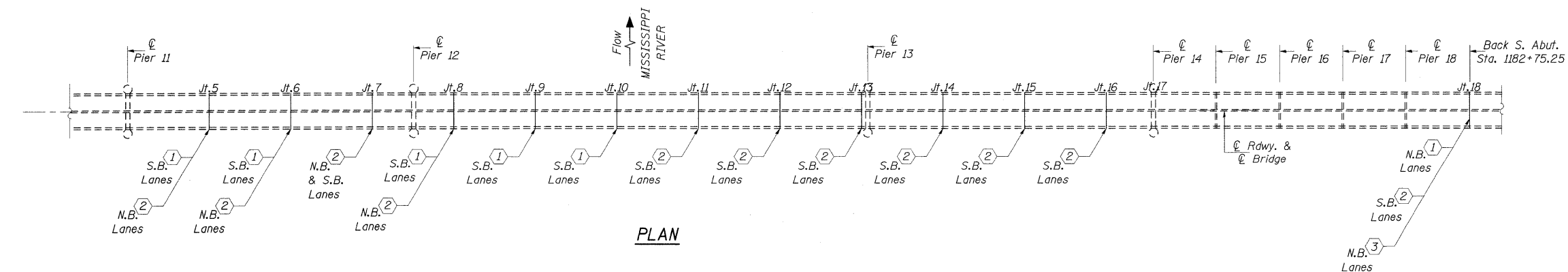
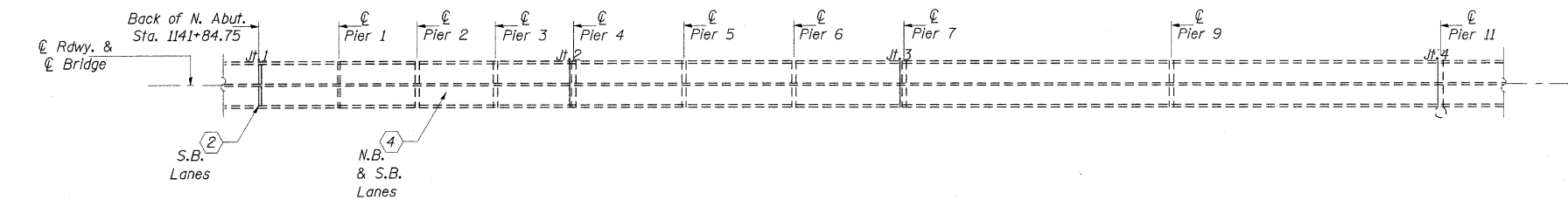
STATE OF ILLINOIS
DEPARTMENT OF TRANSPORTATION



- Notes:
- 1) Replace existing Silicone Joint Sealer with new Silicone Joint Sealer.
 - 2) Replace a section of Silicone Joint Sealer which is damaged.
 - 3) Remove and replace damaged portion of polymer concrete, removal included in cost of Polymer Concrete.
 - 4) Apply Bridge Deck Concrete Crack Sealer to cracks in deck surface. Apply Protective Coat to deck surface and inside face of parapets.



ELEVATION
(Looking East)



PLAN

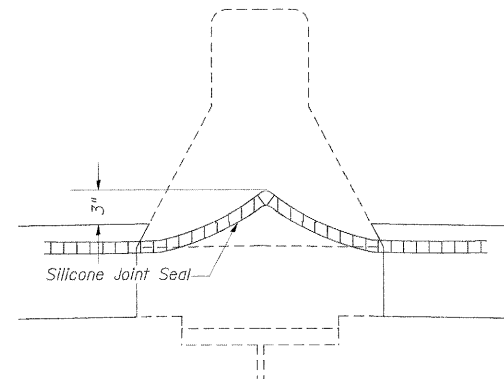
BILL OF MATERIAL

ITEM	UNIT	QUANTITY
Polymer Concrete	Cu. Ft.	0.6
Silicone Joint Sealer	Foot	429
Protective Coat	Sq. Yd.	32,718
Bridge Deck Concrete Crack Sealer	Foot	10,000

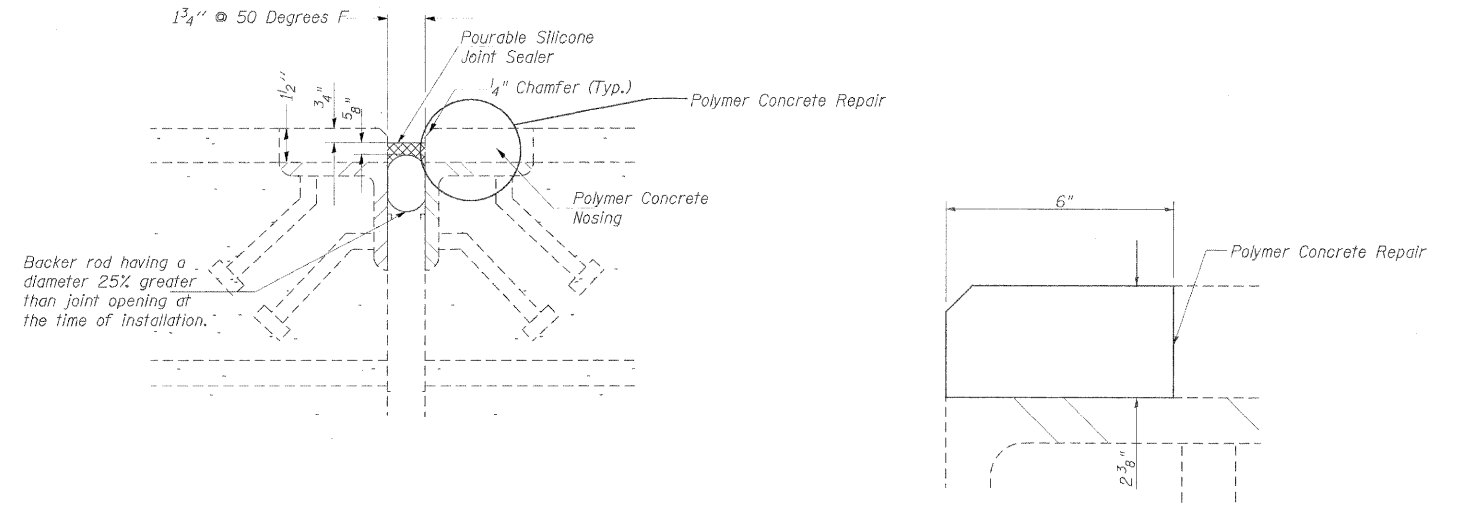
**GENERAL PLAN
AND ELEVATION
BRIDGE REPAIRS
F.A.I. 57 OVER MISSISSIPPI RIVER
SEC. D9 DECK SEAL 2010-1
ALEXANDER COUNTY
S.N. 002-0022**

FILE NAME =	USER NAME = cornellm	DESIGNED -	REVISED -	STATE OF ILLINOIS DEPARTMENT OF TRANSPORTATION	GENERAL PLAN AND ELEVATION				F.A.I. RTE. 57	SECTION D9 DECK SEAL 2010-1	COUNTY ALEXANDER	TOTAL SHEETS 6	SHEET NO. 5
c:\pwork\pwork\cornellm\10162997\781610-shr-plan.dgn		DRAWN -	REVISED -		SCALE:	SHEET NO.	OF	SHEETS	STA.	TO STA.	CONTRACT NO. 78160		
		CHECKED -	REVISED -		ILLINOIS FED. AID PROJECT								
		DATE -	REVISED -										

STATE OF ILLINOIS
DEPARTMENT OF TRANSPORTATION

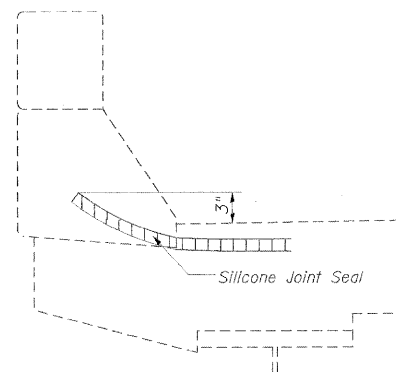


TYPICAL END OF SEAL TREATMENT
AT MEDIAN BARRIER

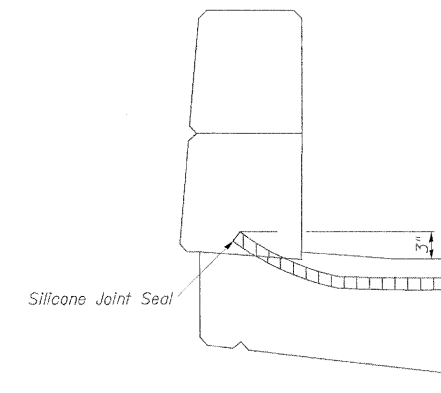


TYPICAL SILICONE JOINT SEALER

TYPICAL POLYMER CONCRETE REPAIR
(Northbound South Abut. Joint)



TYPICAL END OF SEAL TREATMENT
AT TRUSS LOCATIONS



TYPICAL END OF SEAL TREATMENT
AT PARAPET

FILE NAME =	USER NAME = cornellm	DESIGNED -	REVISED -
ct\pwork\p\DOT\CORNELLM\d0162997\78160-sht-plen.dgn		DRAWN -	REVISED -
	PLOT SCALE = 50.0000 / IN.	CHECKED -	REVISED -
	PLOT DATE = 12/9/2009	DATE -	REVISED -

STATE OF ILLINOIS
DEPARTMENT OF TRANSPORTATION

SILICONE JOINT SEALER
REPAIR DETAILS

SCALE: SHEET NO. OF SHEETS STA. TO STA.

F.A.I. RTE.	SECTION	COUNTY	TOTAL SHEETS	SHEET NO.
57	D9 DECK SEAL 2010-1	ALEXANDER	6	6
ILLINOIS FED. AID PROJECT			CONTRACT NO. 78160	