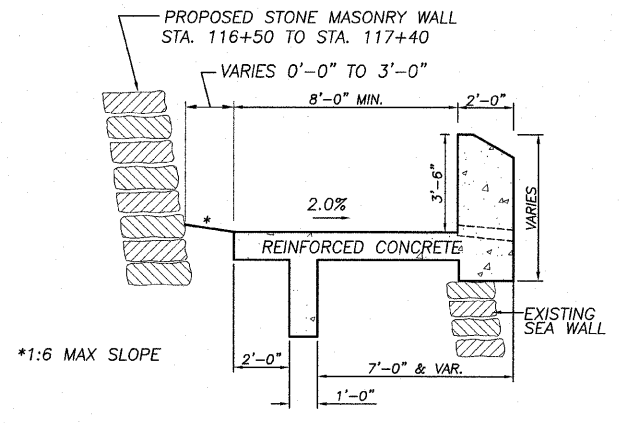
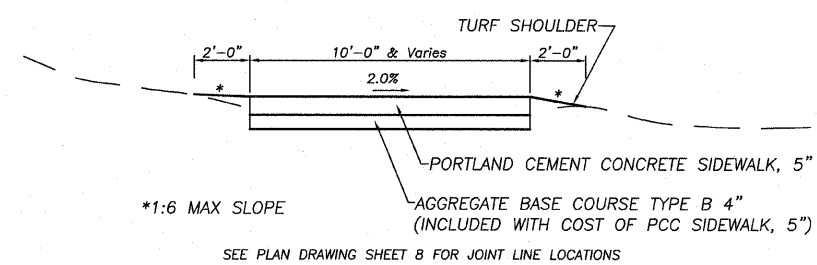


ROUTE NO.	SECTION	COUNTY	TOTAL SHEETS	SHEET NO.
D. B. 1.	*	LEE	21	4
F.A.M.				
FED. ROAD DIST. NO. 7	BILLINGS	FED. AID PROJECT-		

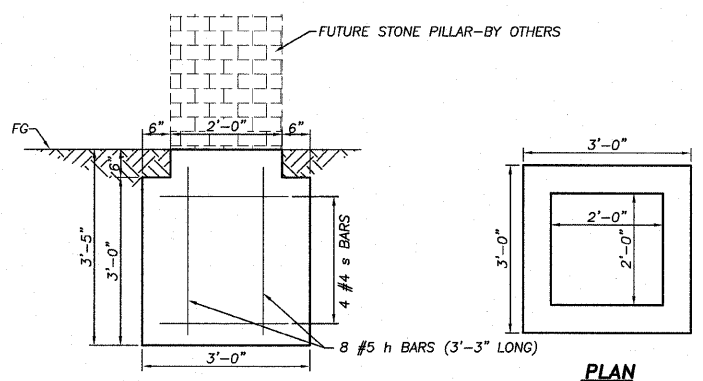
* Section 09-P4000-01-BT Contract #B5504



TYPICAL BIKE PATH SECTION
STA. 115+98.5 TO STA. 116+80.31

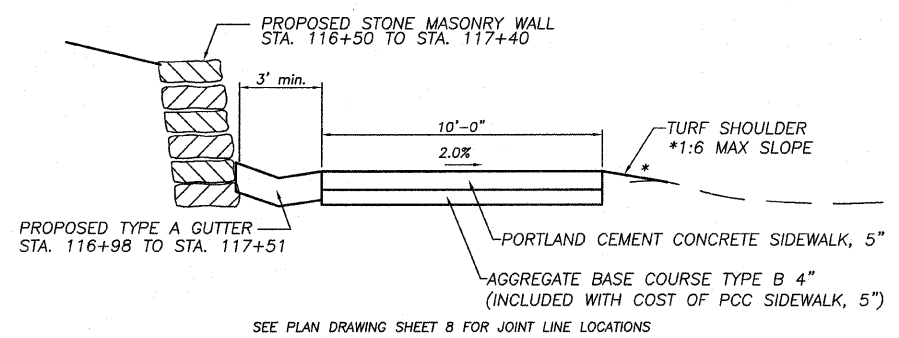


BIKE PATH SECTION
STA. 116+80.31 TO STA. 116+98
STA. 117+51 TO STA. 118+75

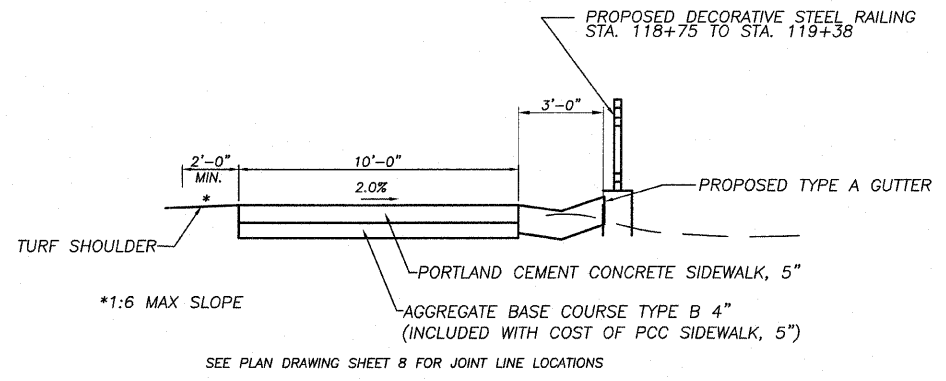


CONCRETE FOUNDATION
RT. & LT. STA. 119+60

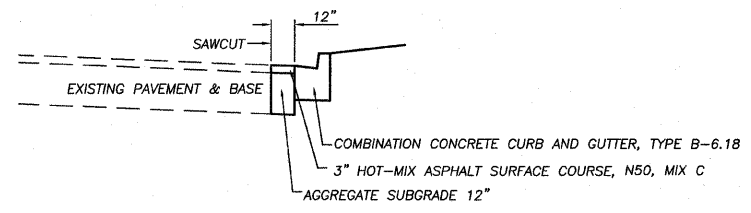
BILL OF MATERIAL		
Concrete Structures	Cu. Yds.	2.2
Reinforcement Bars	Lbs.	100



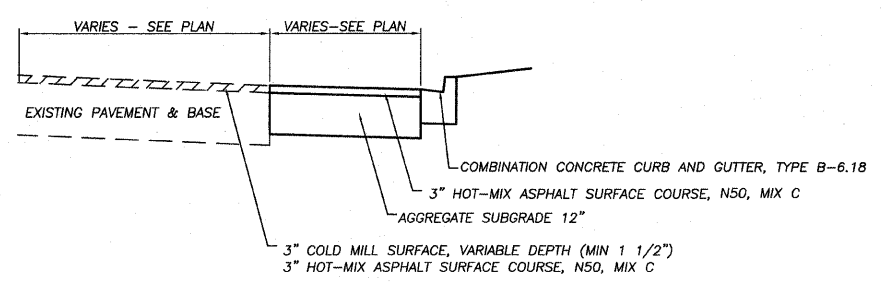
TYPICAL BIKE PATH SECTION
STA. 116+98 TO STA. 117+51



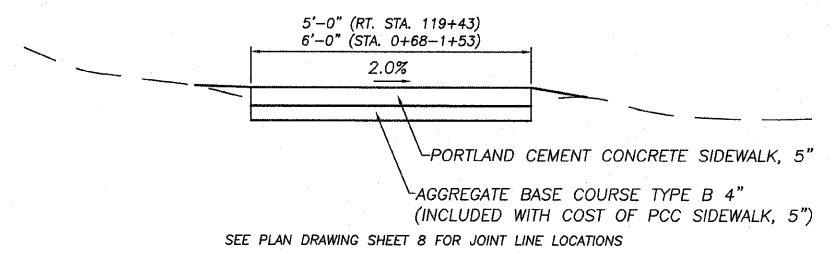
TYPICAL BIKE PATH SECTION
STA. 118+75 TO STA. 119+38



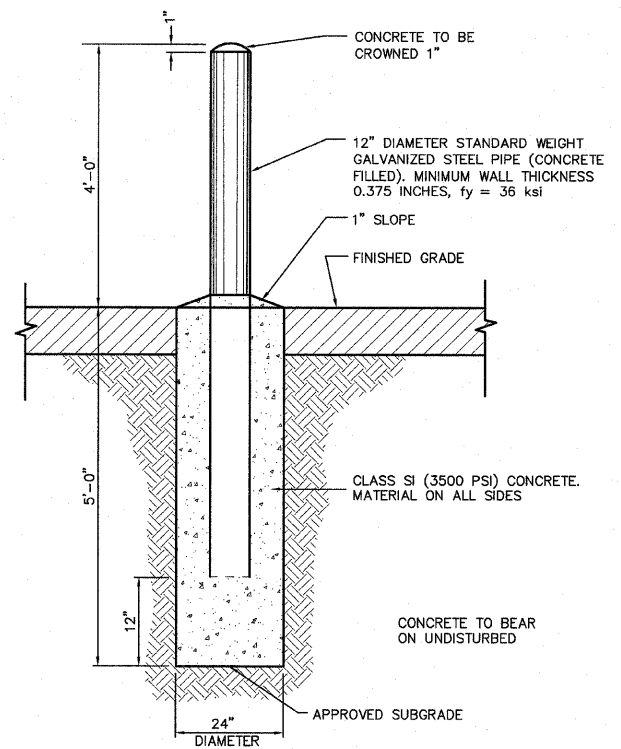
TYPICAL SECTION - OTTAWA AVE.
PROPOSED CURB ADJACENT TO EXIST. PAVEMENT



TYPICAL SECTION - OTTAWA AVE.
PROPOSED PAVEMENT & OVERLAY



PCC SIDEWALK
RT. STA. 119+43
STA. 0+68 - STA. 1+53



GUARD POSTS, SPECIAL
SEE SPECIAL PROVISIONS

TYPICAL SECTIONS & DETAILS
THE LOWELL TRAIL, PH. 2
SECTION 09-P4000-01-BT
DIXON PARK DISTRICT

wendler
GROUND BREAKING SOLUTIONS
engineers - surveyors - scientists
www.wendlergs.com

Date: 12/15/2009
Job: 2090299
ph: 815.288.2261