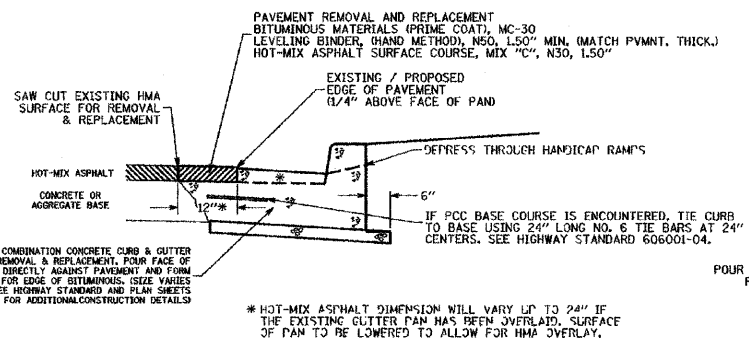
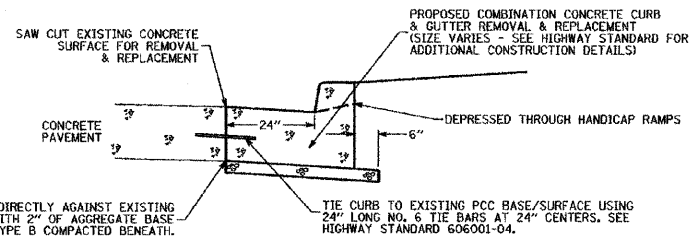


F.A.U. ROUTE NO.	SECTION	ILLINOIS PROJECT	CONTRACT NO.	COUNTY	TOTAL SHEETS	SHEET NUMBER
VARIES	09-00161-00-SW	SRTS-4008(108)	87408	LASALLE	15	2

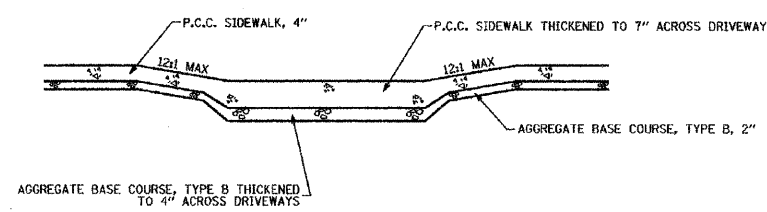
COMBINATION CONCRETE CURB & GUTTER REMOVAL & REPLACEMENT DETAIL



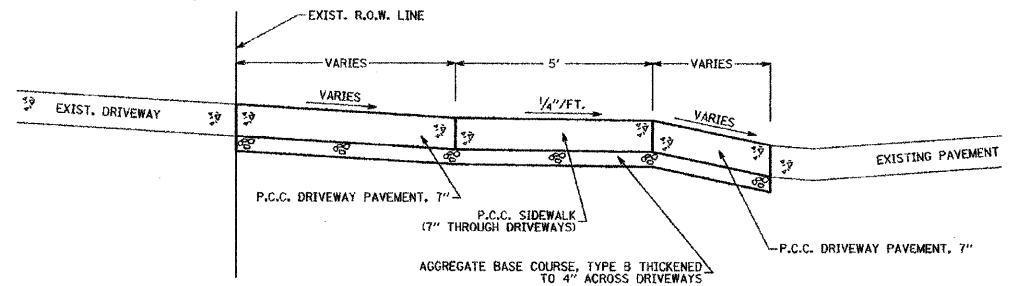
ADJACENT TO HOT-MIX ASPHALT PAVEMENT SURFACE
NO SCALE



ADJACENT TO PC CONCRETE SURFACE/BASE
NO SCALE



TYPICAL DRIVEWAY SECTION
NO SCALE



TYPICAL DRIVEWAY SECTION
NO SCALE

SUMMARY OF QUANTITIES

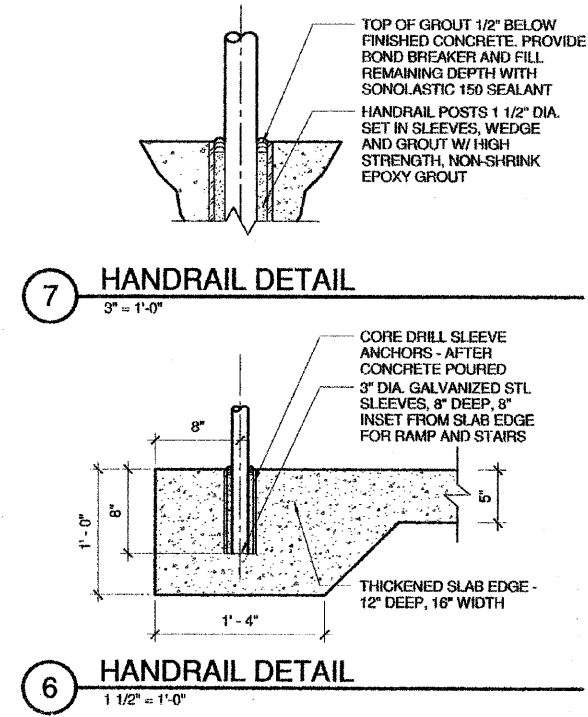
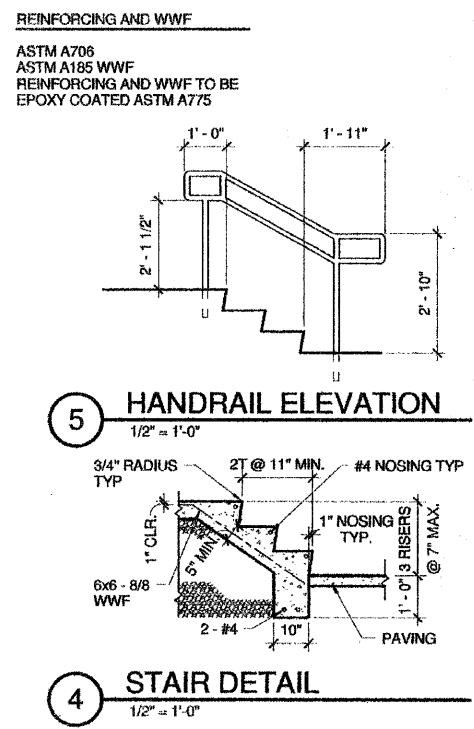
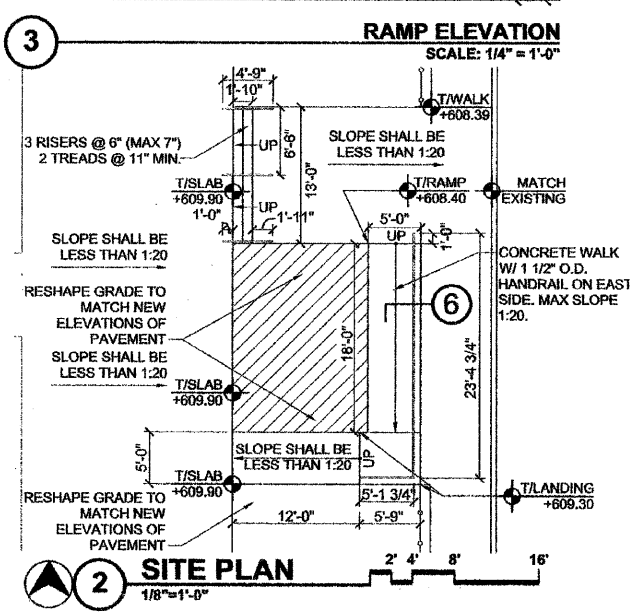
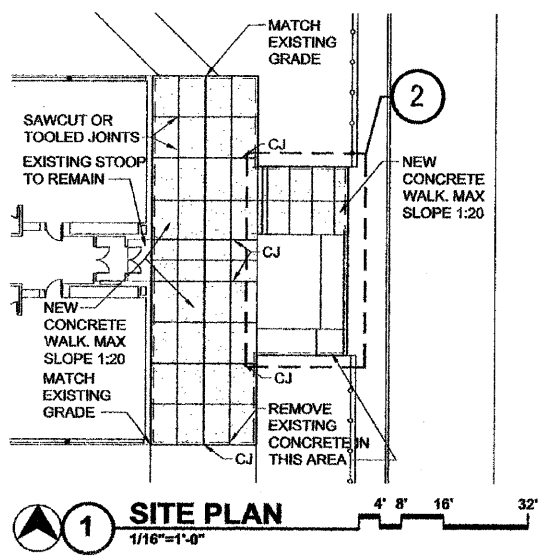
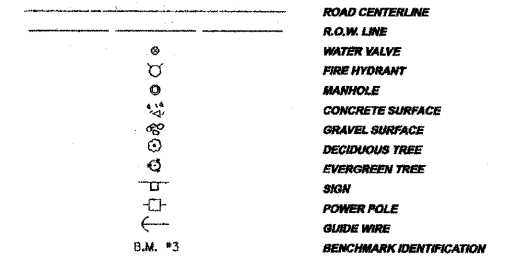
PAY ITEM NUMBER	PAY ITEM	UNIT	QUANTITY
20100110	TREE REMOVAL (6 TO 15 UNITS DIAMETER)	UNIT	12
* 20100210	TREE REMOVAL (OVER 15 UNITS DIAMETER)	UNIT	18
* 21101505	TOPSOIL EXCAVATION AND PLACEMENT	CUBIC YARD	420
25000110	SEEDING, CLASS 1A	ACRE	0.18
25000400	NITROGEN FERTILIZER NUTRIENT	POUND	16
25000500	PHOSPHORUS FERTILIZER NUTRIENT	POUND	16
25000600	POTASSIUM FERTILIZER NUTRIENT	POUND	16
25100630	EROSION CONTROL BLANKET	SQUARE YARD	887
35101400	AGGREGATE BASE COURSE, TYPE B	TON	348
42300300	PORTLAND CEMENT CONCRETE DRIVEWAY PAVEMENT, 7 INCH	SQUARE YARD	255
* 42400100	PORTLAND CEMENT CONCRETE SIDEWALK 4 IN	SQUARE FOOT	21,893
* 42400600	DETECTABLE WARNINGS	SQUARE FOOT	144
* 44000200	DRIVEWAY PAVEMENT REMOVAL	SQUARE YARD	255
* 44000600	SIDEWALK REMOVAL	SQUARE FOOT	8,398
* 50900500	ALUMINUM RAILING	FOOT	43
67100100	MOBILIZATION	LUMP SUM	1
70102640	TRAFFIC CONTROL AND PROTECTION, STANDARD 701001	LUMP SUM	1
* 20826300	PAVEMENT REMOVAL AND REPLACEMENT	SQUARE YARD	16
44001700	COMBINATION CONCRETE CURB AND GUTTER REMOVAL AND REPLACEMENT	FOOT	274

* SEE SPECIAL PROVISIONS

HMA MIX DESIGN

	HMA LEVEL BINDER	HMA SURFACE < 5,000 ADT
PG Grade	PG64-22	PG56-22
Design Air Voids	4.0% @ NSO	3.0% @ NSO
Mixture Composition	IL 9.5	IL 9.5L
Friction Aggregate		Mixture C
Density Test Method	Satisfaction of Engineer	Nuclear/ Cores

LEGEND



MCKINLEY SCHOOL - EAST ENTRANCE IMPROVEMENT DETAILS

THE ABOVE DETAILS PROVIDED BY GREEN ASSOCIATES PER THE DIRECTION OF THE OTTAWA ELEMENTARY SCHOOL BOARD.

SUMMARY OF QUANTITIES AND DETAILS
SAFE ROUTES TO SCHOOLS SIDEWALK IMPROVEMENTS

RENWICK & ASSOCIATES, INC.
228 West Main Street
Ottawa, Illinois 61350
TEL: 815-434-3200
FAX: 815-434-3968

PROFESSIONAL DESIGN FIRM # 184-004957 FILE NO. 09.2.1
DRAWN BY: RTF CHECKED BY: DAF DATE PLOTTED: DECEMBER 21, 2009
FILE PATH: C:\CITY OF OTTAWA\09.2.1-MCKIN SCHOOL\DETAIL SHEET.DGN