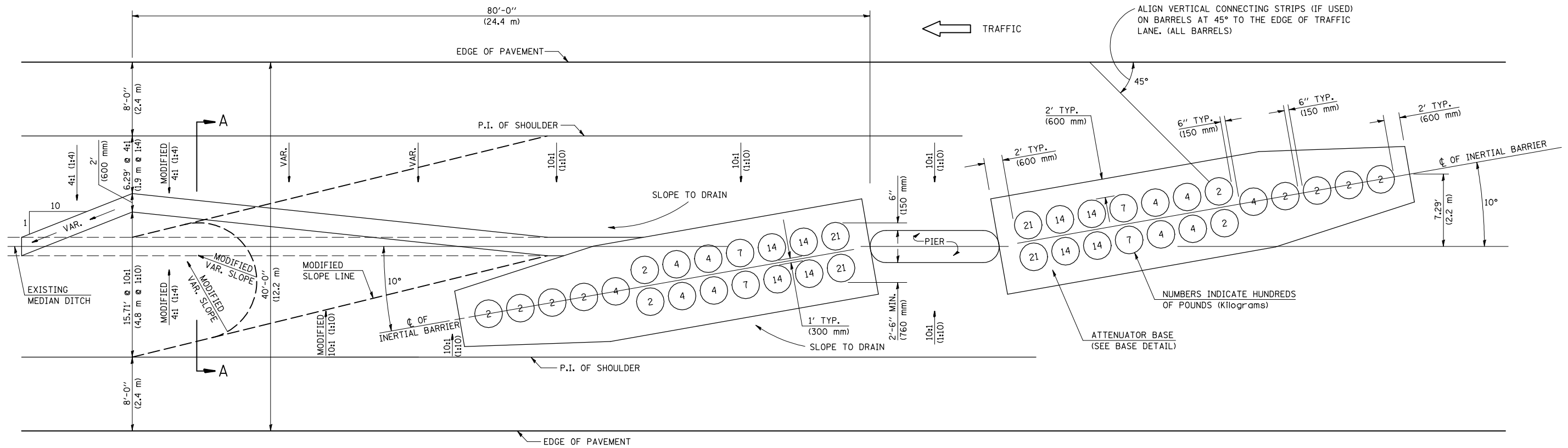


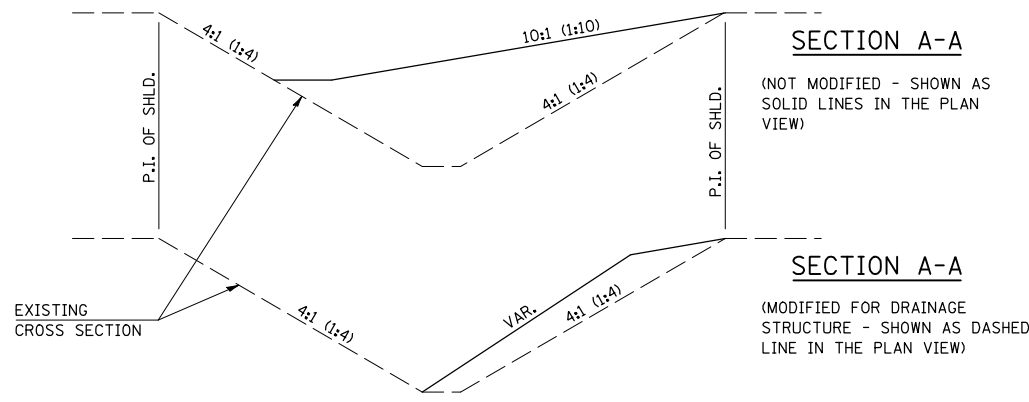
70 MPH (110 km/h) DESIGN - 40' (12 m) MEDIAN



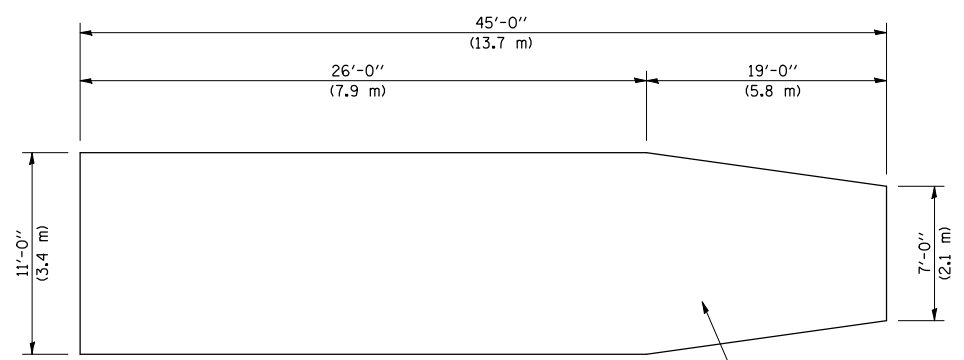
ALIGN VERTICAL CONNECTING STRIPS (IF USED) ON BARRELS AT 45° TO THE EDGE OF TRAFFIC LANE. (ALL BARRELS)

NUMBERS INDICATE HUNDREDS OF POUNDS (Kilograms)

ATTENUATOR BASE (SEE BASE DETAIL)



GRADING AND SHAPING DETAIL



BASE DETAIL

PORTLAND CEMENT CONCRETE, 6"

GENERAL NOTES

- ALL 10:1 (1:10) SLOPES SHOWN ON THIS DETAIL SHALL BE CONSTRUCTED 10:1 (1:10) OR FLATTER.
- ANY EXISTING DRAINAGE STRUCTURES LOCATED WITHIN THE 80' (24.4 m) WORKING AREA SHALL BE MODIFIED OR LEFT IN PLACE AS SHOWN ON THE PLANS. WHERE THE EXISTING DRAINAGE STRUCTURES ARE TO REMAIN IN PLACE, THE SLOPES ARE TO BE CONSTRUCTED AS SHOWN AS MODIFIED SLOPES ON THIS DETAIL AND AS DIRECTED BY THE ENGINEER.
- THE SLOPES AS SHOWN ON THIS DETAIL SHALL APPLY TO BOTH ENDS OF THE BRIDGE PIERS.
- THE LENGTH X WIDTH OF MODULE LAYOUT IS 41.0' x 7.0' : 19 MODULES - 14,400 LBS. (12.5 m x 2.1 m : 19 MODULES - 6532 kg).
- IN AREAS OF 10:1 (1:10) SLOPES PRECEDING THE ATTENUATOR IN THE MEDIAN INSTALLATION, FOUR WOOD POSTS SHALL BE PLACED AT 5' (1.5 m) INTERVALS IN THE MEDIAN ϕ . SEE SPECIAL PROVISIONS.

Note: All dimensions are in INCHES (millimeters) unless otherwise shown.

DISTRICT 5 DETAIL NO. Z0030150B

FILE NAME =	USER NAME = dawsonkb	DESIGNED -	REVISED - 11/06
ct:\pw\work\PWID01\DAWSONKB\d0176650\050875-54-63-District5Standards.dgn		DRAWN -	REVISED - 12/08
	PLOT SCALE = 40.0000' / IN.	CHECKED -	REVISED -
	PLOT DATE = 12/17/2009	DATE -	REVISED -

STATE OF ILLINOIS
DEPARTMENT OF TRANSPORTATION

IMPACT ATTENUATORS (NON-REDIRECTIVE) TEST LEVEL 3

SCALE:	SHEET NO.	OF SHEETS	STA.	TO STA.
--------	-----------	-----------	------	---------

F.A.I. RTE.	SECTION	COUNTY	TOTAL SHEETS	SHEET NO.
74	(10-6HB-5)BR	CHAMPAIGN	63	63
FED. ROAD DIST. NO. ILLINOIS FED. AID PROJECT			CONTRACT NO. 90875	