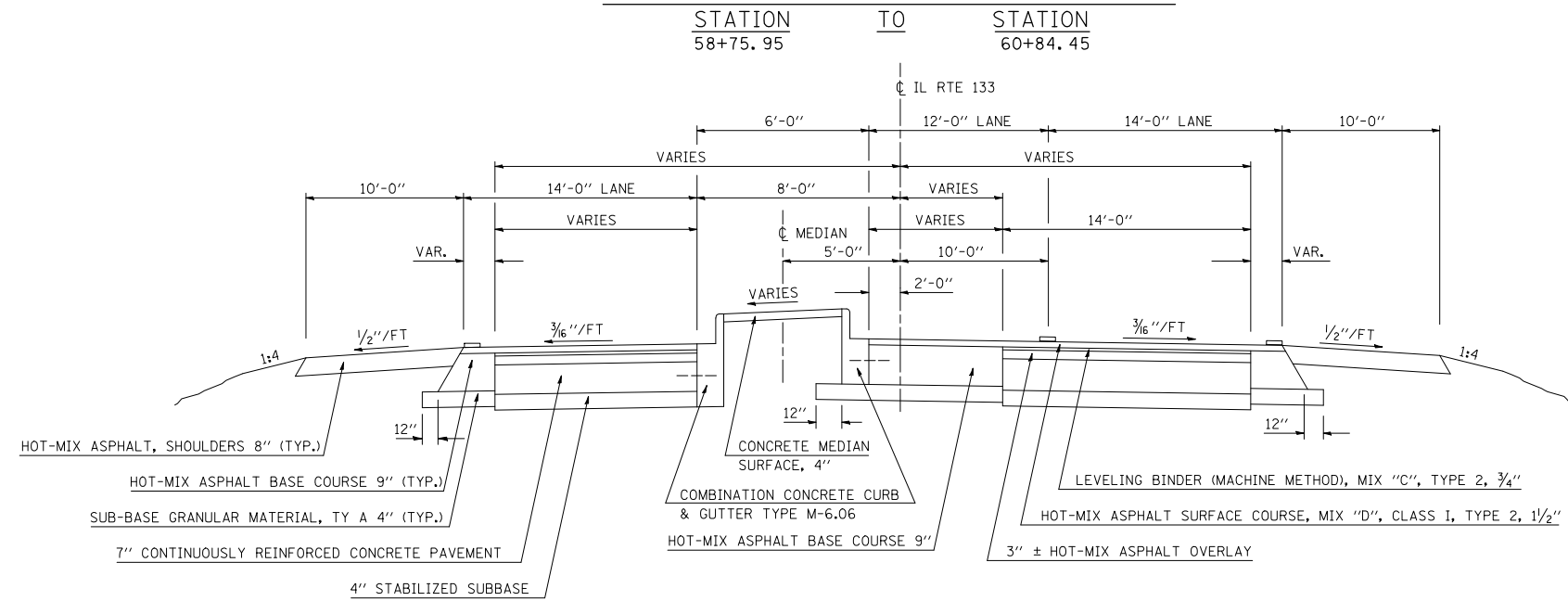
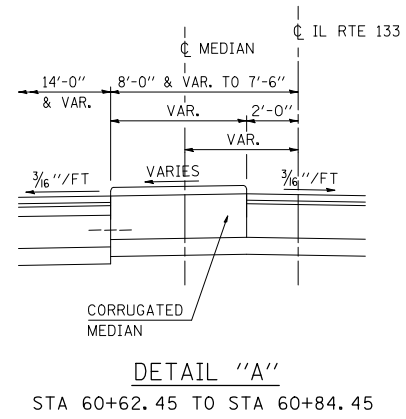


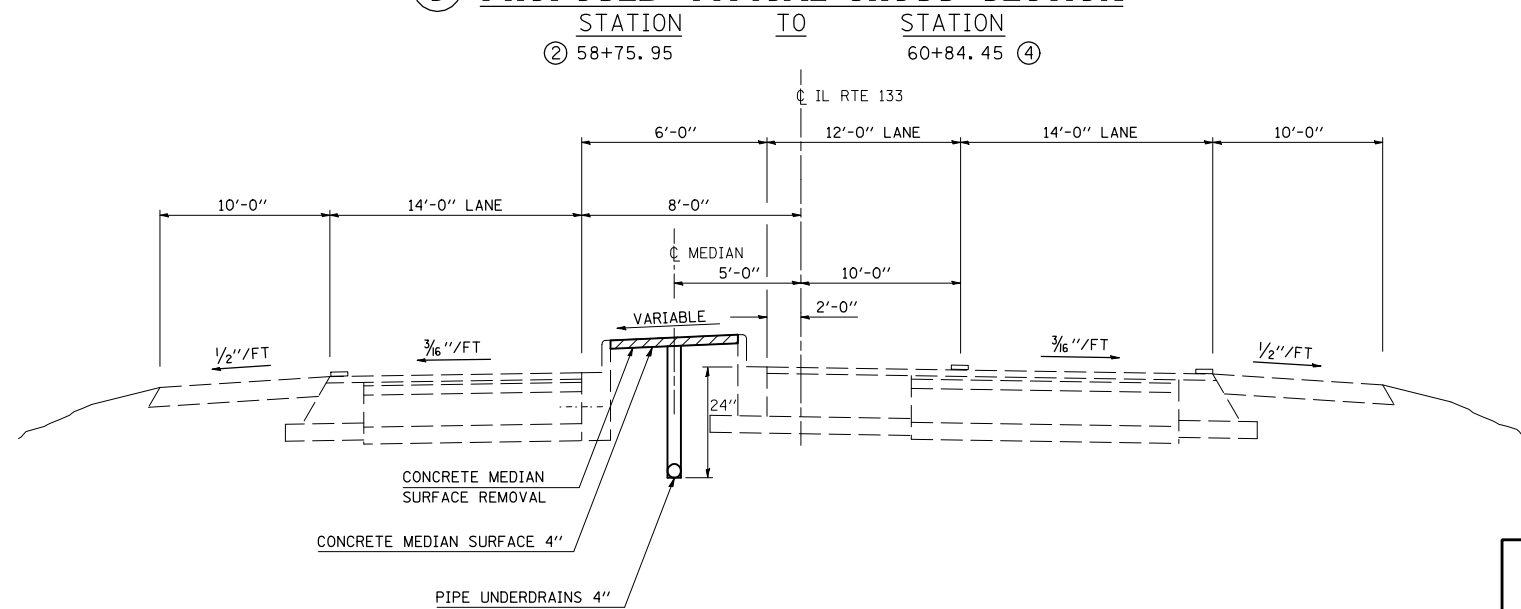
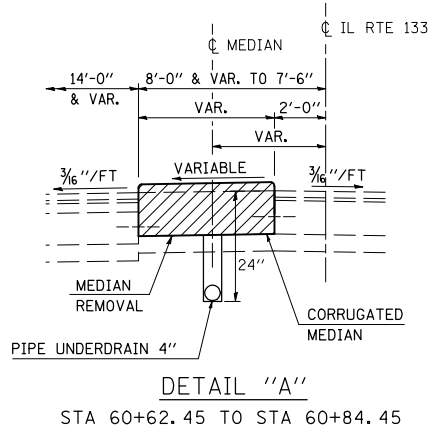
F.A.I. RTE.	SECTION	COUNTY	TOTAL SHEETS	SHEET NO.
57	(15,21-25HB-2)BR	DOUGLAS	65	7

**CONTRACT NO. 90952**

### EXISTING TYPICAL CROSS SECTION



### 3 PROPOSED TYPICAL CROSS SECTION



**TYPICAL CROSS SECTIONS**  
FAI ROUTE 57  
SECTION (15, 21-25HB-2)BR  
DOUGLAS COUNTY