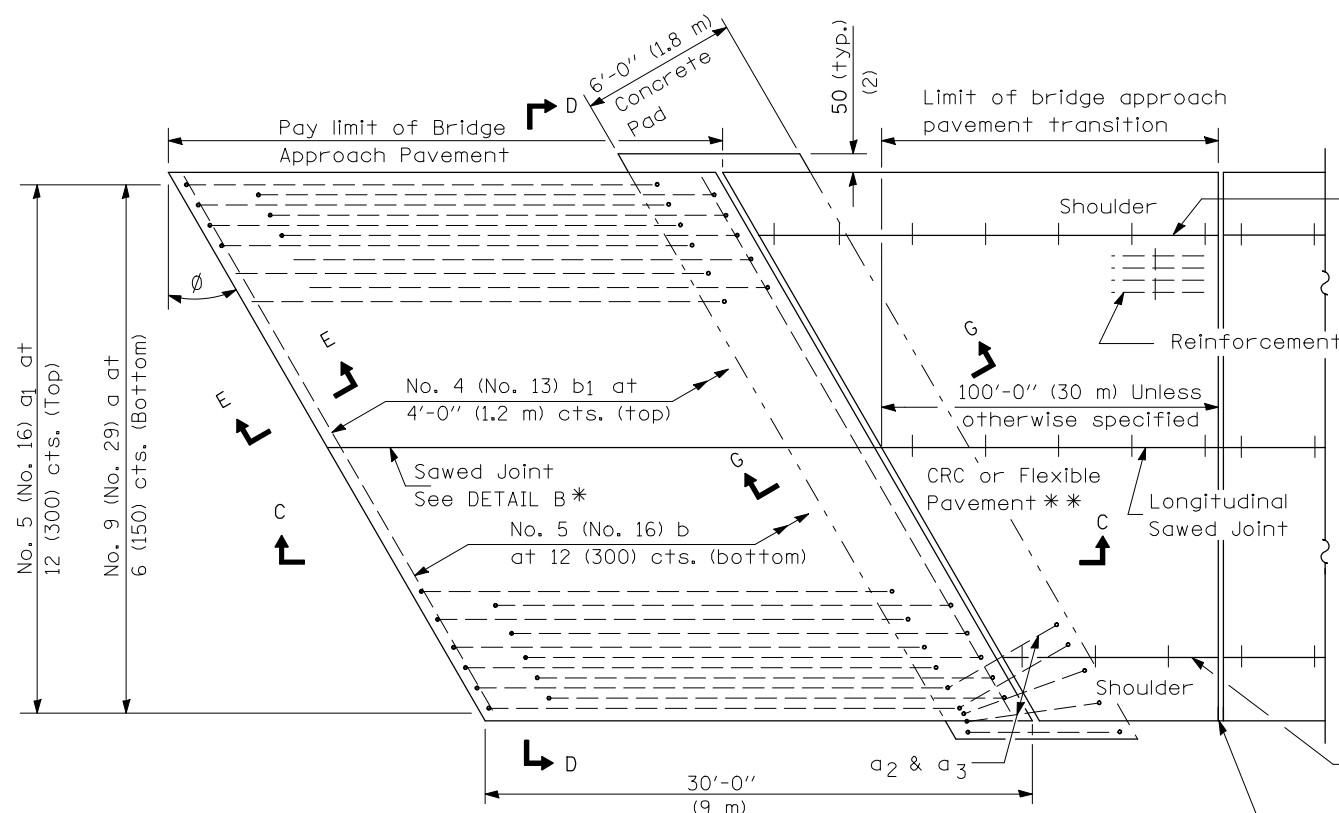
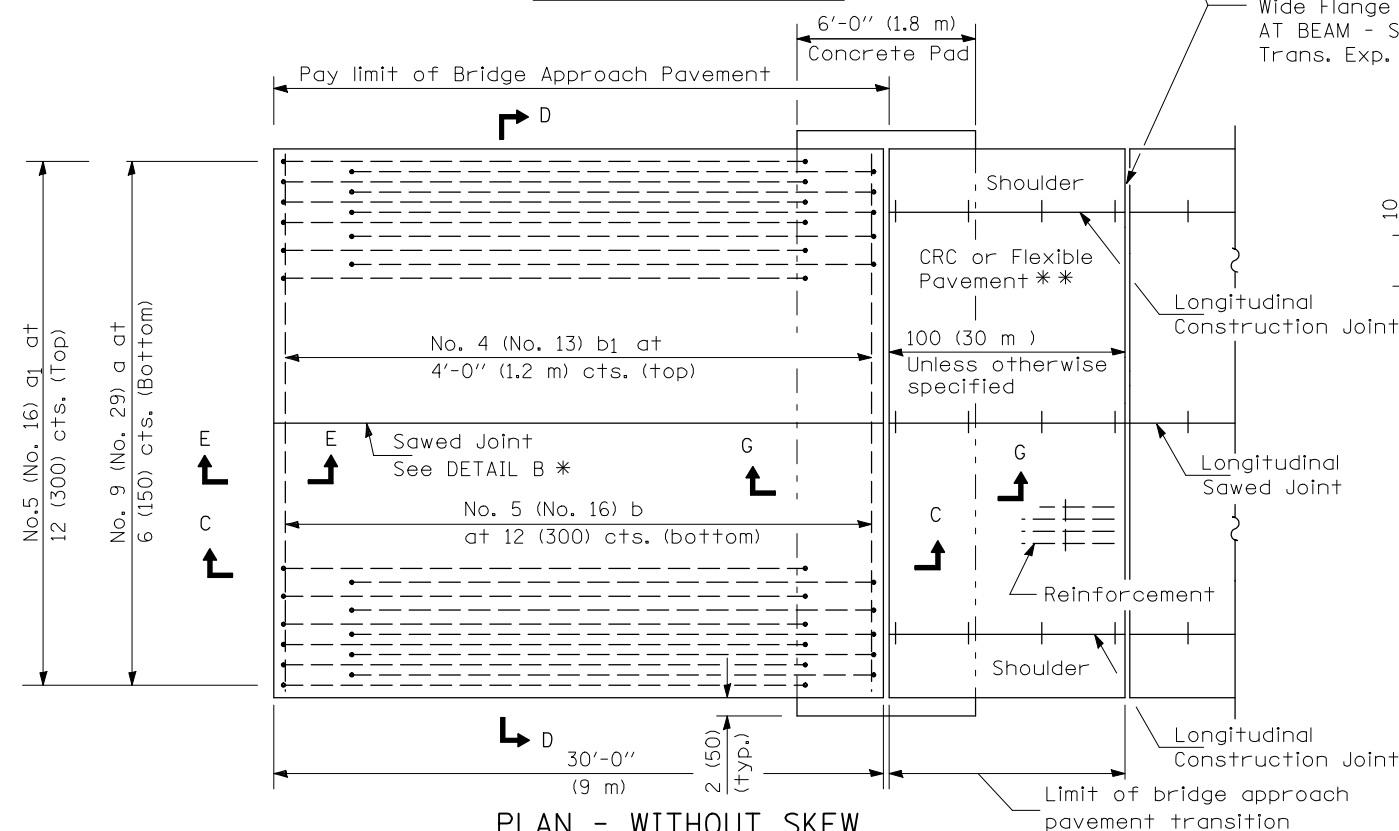


F.A.I. RTE.	SECTION	COUNTY	TOTAL SHEETS	SHEET NO.
57	•	DOUGLAS	65	30A
STA.		TO STA.		
FED. ROAD DIST. NO.	ILLINOIS	FED. AID PROJECT		
* (15, 21-25HB-2)BR				
CONTRACT NO. 90952				



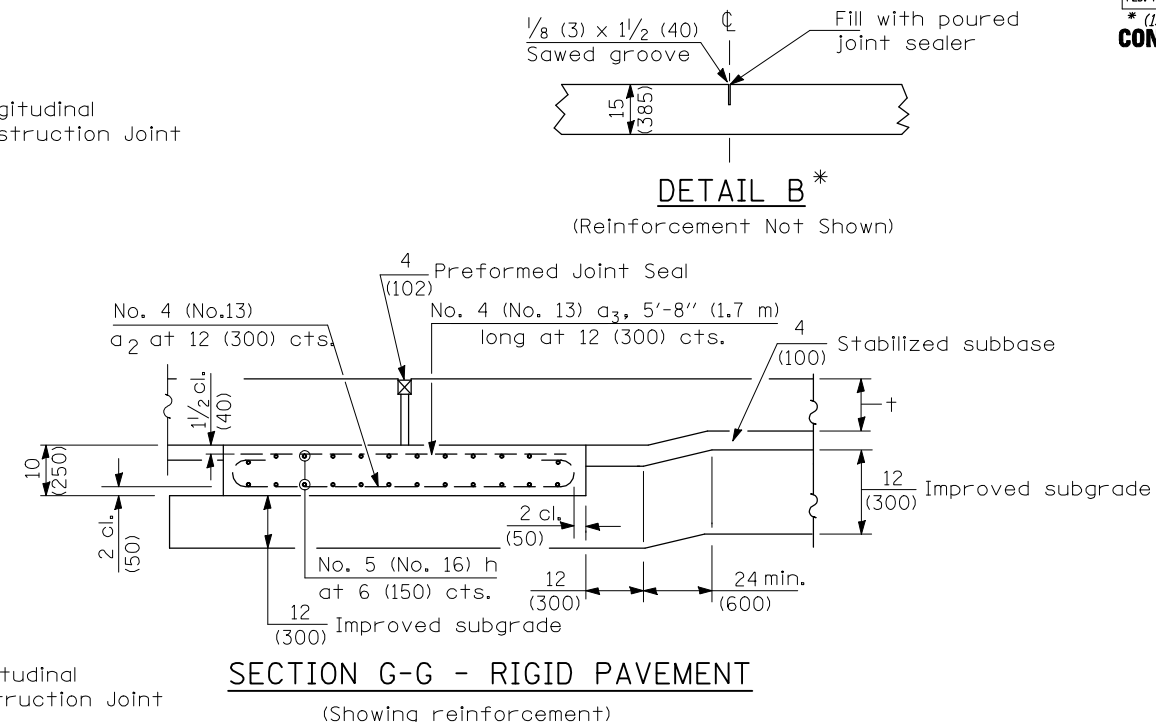
PLAN - WITH SKEW



PLAN - WITHOUT SKEW

- * Saw ϕ or lane edge if poured two or more lane widths at a time.
- ** Omit Reinforcement, tie bars and Long. sawed Jt. for Flexible Pavement.

NEW CONSTRUCTION



SECTION G-G - RIGID PAVEMENT

(Showing reinforcement)

SECTION G-G - FLEXIBLE PAVEMENT

(Showing reinforcement)

GENERAL NOTES

- THICKNESS-"t"=Thickness of Pavement.
- See Standard 421001 for reinforcement details not shown.
- See Standard 420001 for joint details not shown.
- All dimensions are in inches (millimeters) unless otherwise shown.

BRIDGE APPROACH PAVEMENT DETAILS (SHEET 1 OF 4)

FAI ROUTE 57
SECTION (15, 21-25HB-2)BR
DOUGLAS COUNTY

CUMMINS ENGINEERING CORPORATION

JOB #: 2114.1
FILE: 2114INLET
DATE: 10/20/06