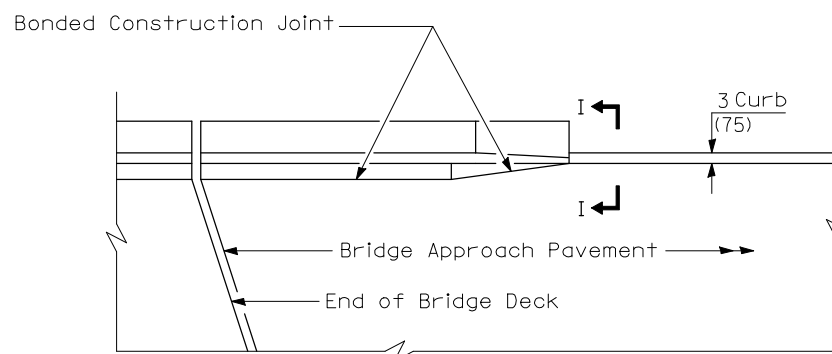
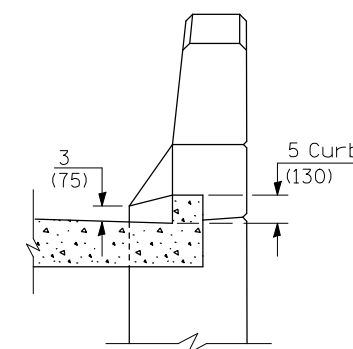


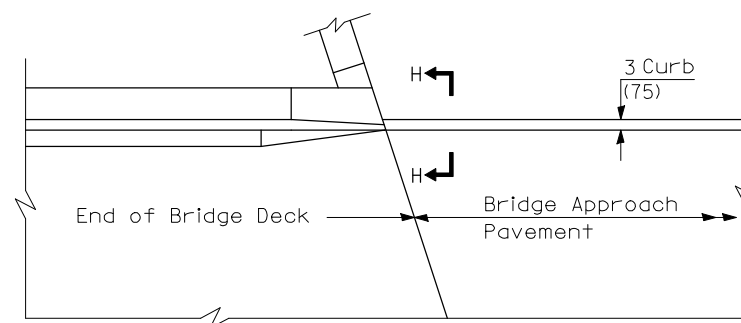
F.A.I. RTE.	SECTION	COUNTY	TOTAL SHEETS	SHEET NO.
57	•	DOUGLAS	65	30D
STA.		TO STA.		
FED. ROAD DIST. NO.	ILLINOIS	FED. AID PROJECT		
* (15, 21-25HB-2)BR				
CONTRACT NO. 90952				



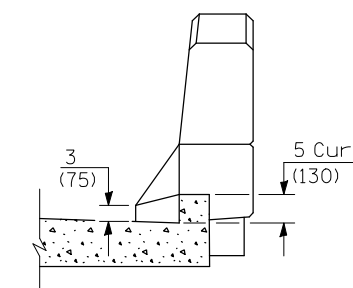
**PARAPET TO CURB TRANSITION
PILE BENT ABUTMENT**



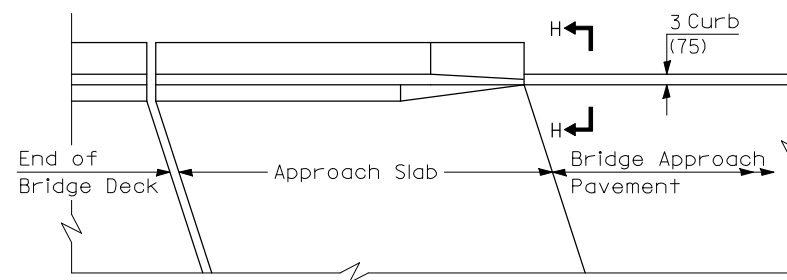
SECTION I - I



**PARAPET TO CURB TRANSITION
INTEGRAL ABUTMENT**



SECTION H - H



**PARAPET TO CURB TRANSITION
VAULTED ABUTMENT**

**BRIDGE APPROACH PAVEMENT
DETAILS (SHEET 4 OF 4)**

**FAI ROUTE 57
SECTION (15, 21-25HB-2)BR
DOUGLAS COUNTY**

CUMMINS ENGINEERING CORPORATION JOB #: 2114.1
FILE: 2114INLET DATE: 10/20/06