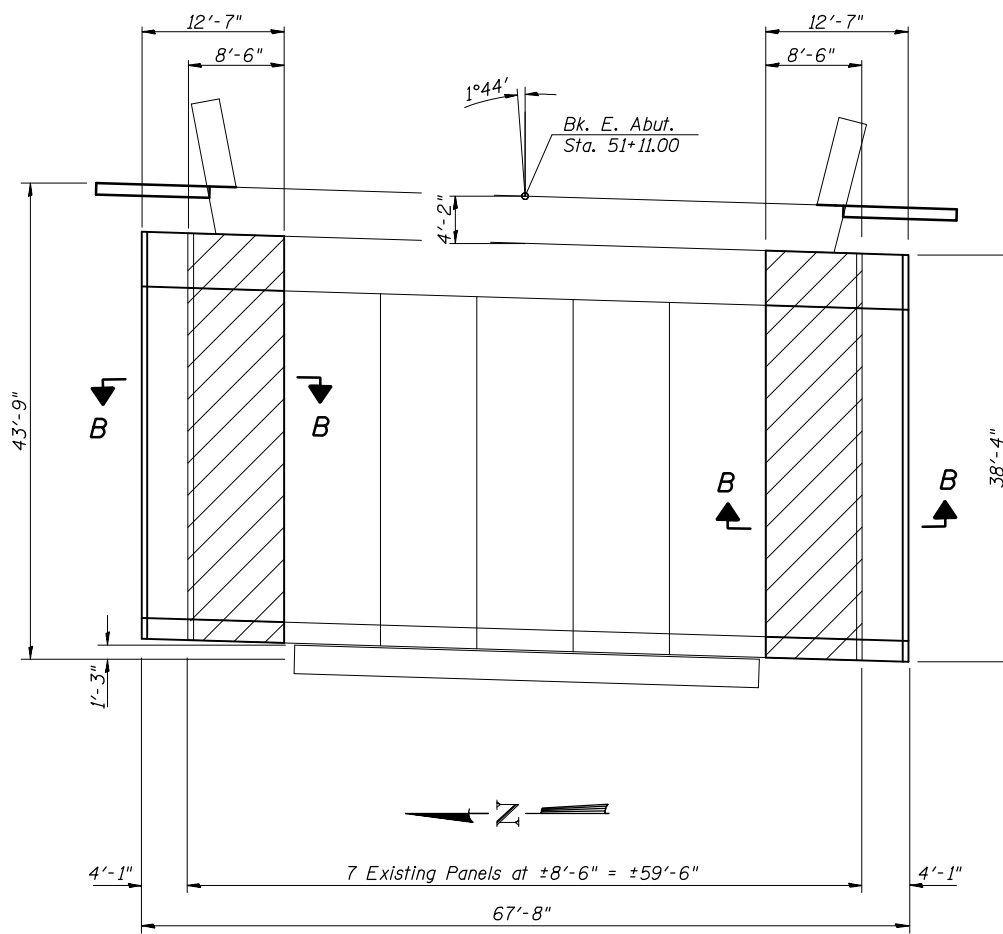


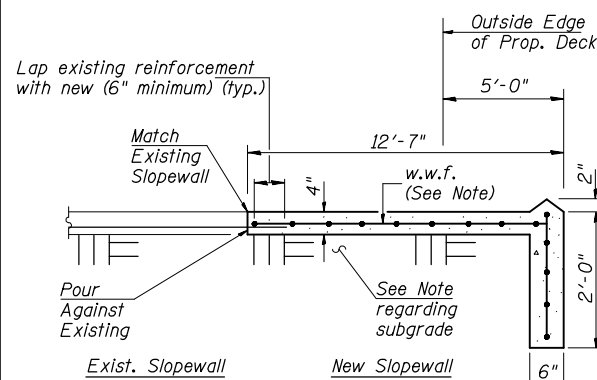
WEST SLOPE WALL PLAN



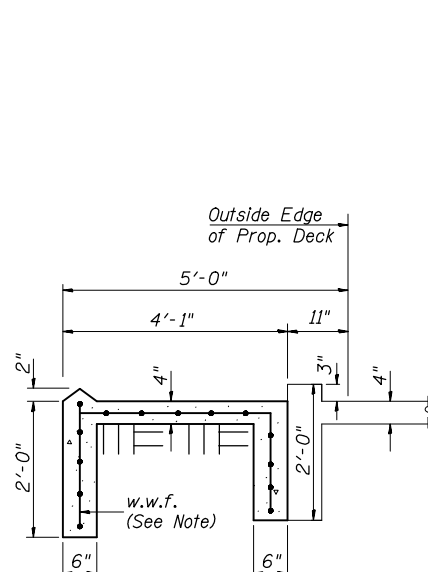
EAST SLOPE WALL PLAN

BILL OF MATERIAL

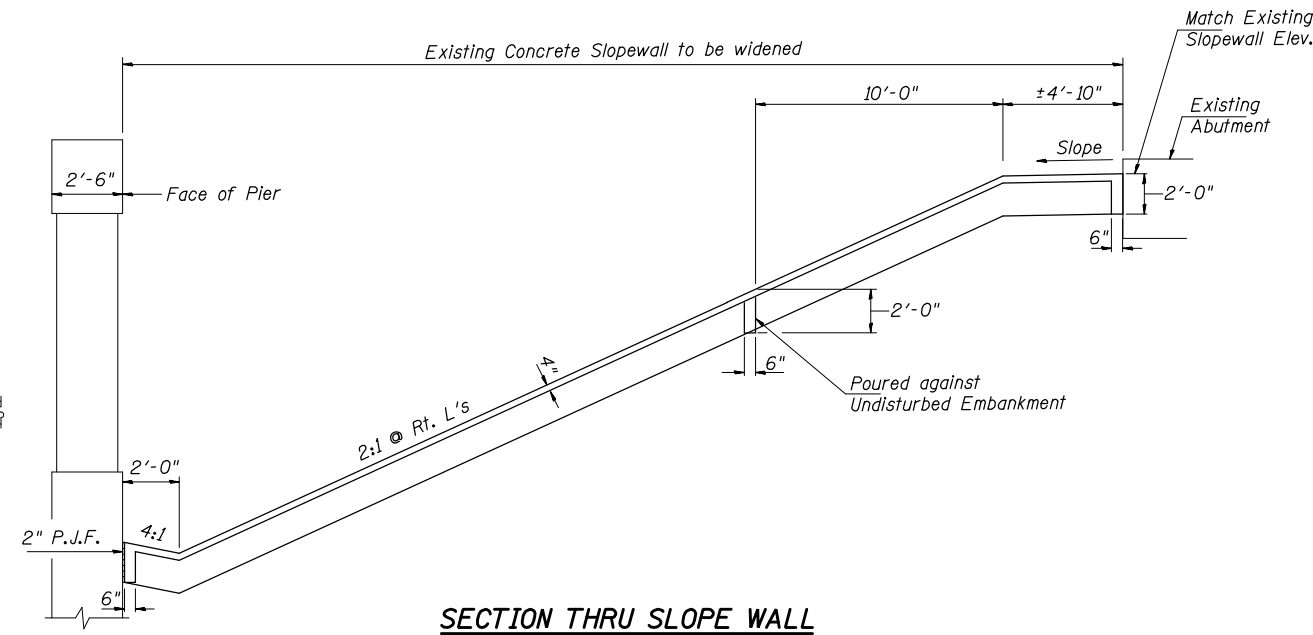
Item	Unit	Total
Slope Wall 4"	Sq. Yd.	200
Slope Wall Removal	Sq. Yd.	132



SECTION B-B



SECTION A-A



SECTION THRU SLOPE WALL

Dimensions @ Rt. L's

Notes: Hatched areas indicate areas of existing concrete slope wall to be removed.
Slope wall shall be reinforced with welded wire fabric.
6 in. x 6 in. - W4.0 x W4.0, weighing 58 lbs. per 100 sq. ft.
The cost of furnishing and placing any additional subgrade material necessary for grading beneath slope wall is included in the unit cost of Slope Wall 4".

DESIGNED Ruben V. Boehler
CHECKED Tim S. Howard
DRAWN Nicole L. Darling
CHECKED Michael D. Cummins

SLOPEWALL DETAILS

IL ROUTE 133 OVER I-57
F.A.I. ROUTE 57 SECTION (15,21-25HB-2)BR
DOUGLAS COUNTY
STA. 1492+76.53
S.N. 021-0024

CUMMINS ENGINEERING CORPORATION
JOB #: 2114
FILE: 2114SLOPE
DATE: 10/24/06