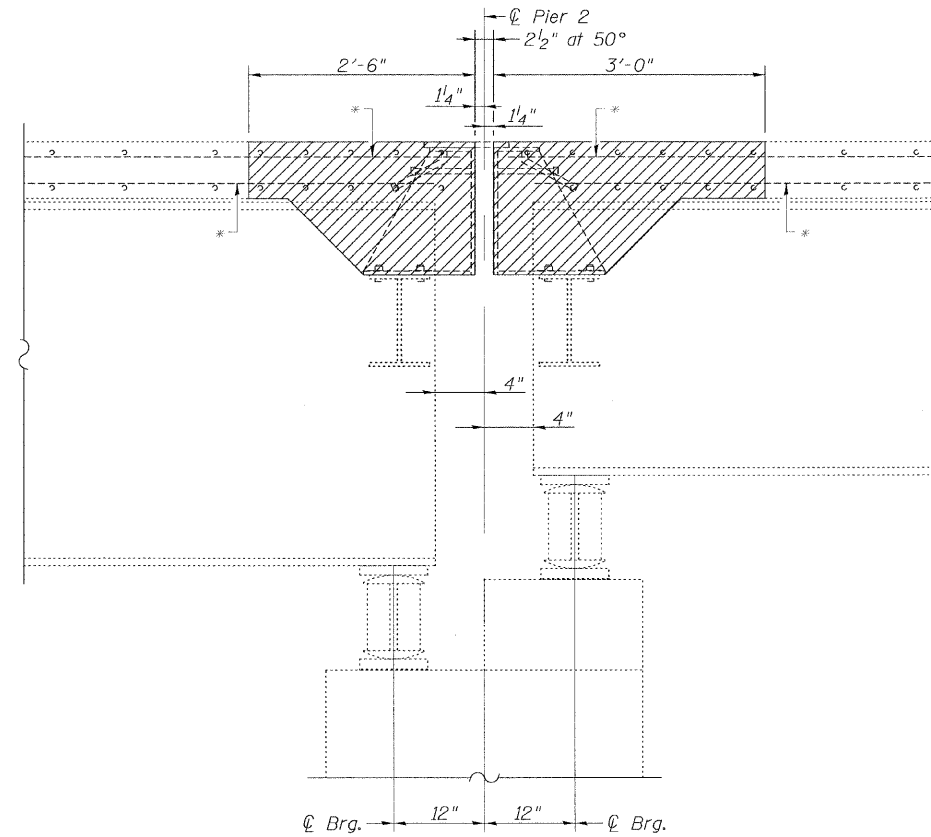


EXISTING PARTIAL PLAN



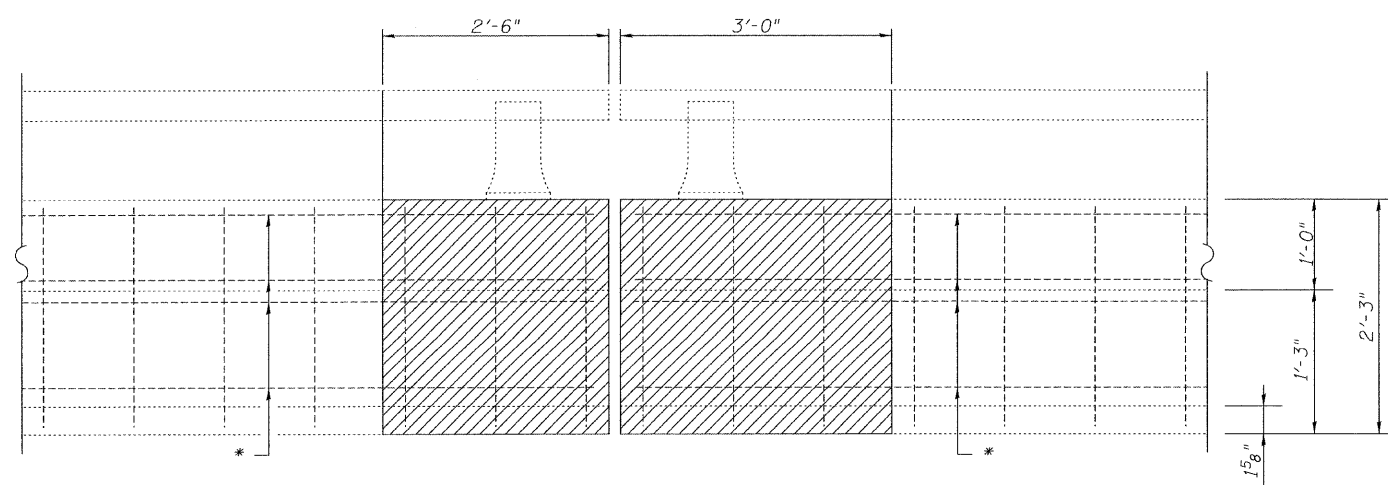
SECTION A-A

* Existing reinforcement to remain.

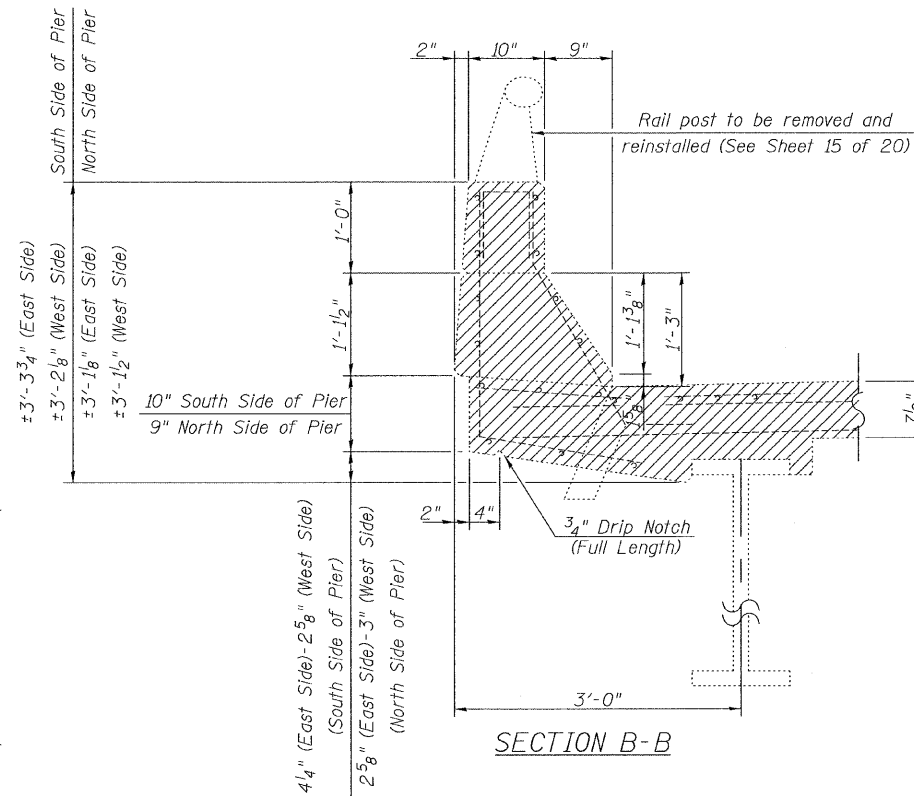
- Concrete Removal

NOTES

Removal of existing expansion joint and associated material shall not be paid for separately but shall be included in the cost of "Concrete Removal".
 Trim existing reinforcement to accommodate proposed expansion joint.
 The Contractor shall use extreme care during concrete removal so as not to damage the Steel Beams.
 Existing reinforcement bars extending into the removal area shall be cleaned, straightened and incorporated into new construction. Any reinforcement bars that are damaged during concrete removal operations shall be replaced using an approved bar splicer or anchorage system.
 Cost included in "Concrete Removal".



ELEVATION AT PARAPET
(Showing Inside Face)



SECTION B-B

BILL OF MATERIAL

Item	Unit	Quantity
Concrete Removal	Cu. Yd.	8.8

CONCRETE REMOVAL AT PIER 2
 F.A.S. ROUTE 559 OVER KICKAPOO CREEK
 S.N. 054-3003



Allen Henderson & Associates, Inc.
 Civil and Structural Engineers Springfield, IL
 62703 Phone: (217)544-8033 IL Design Firm
 No. 184-001907

SHEET NO. 7
 20 SHEETS

F.A.S. RTE.	SECTION	COUNTY	TOTAL SHEETS	SHEET NO.
559	09-00074-01-BR	LOGAN	22	9
CONTRACT NO. 93511				
FED. ROAD DIST. NO. _ ILLINOIS FED. AID PROJECT				