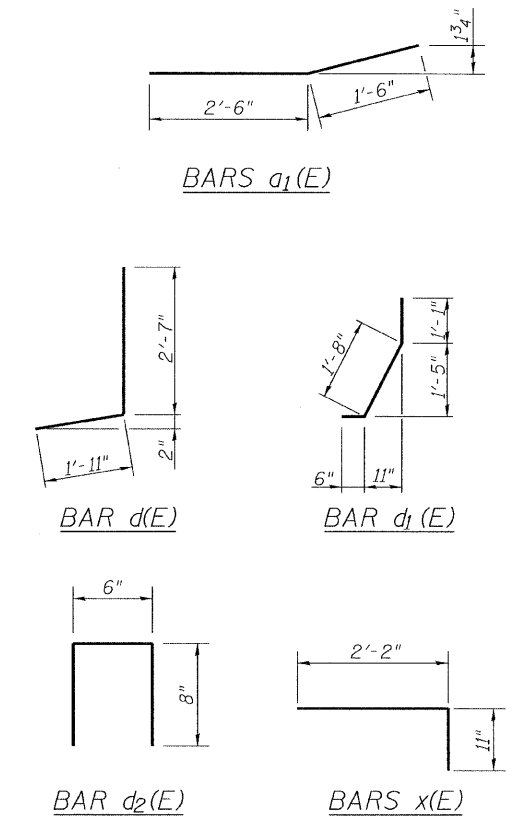


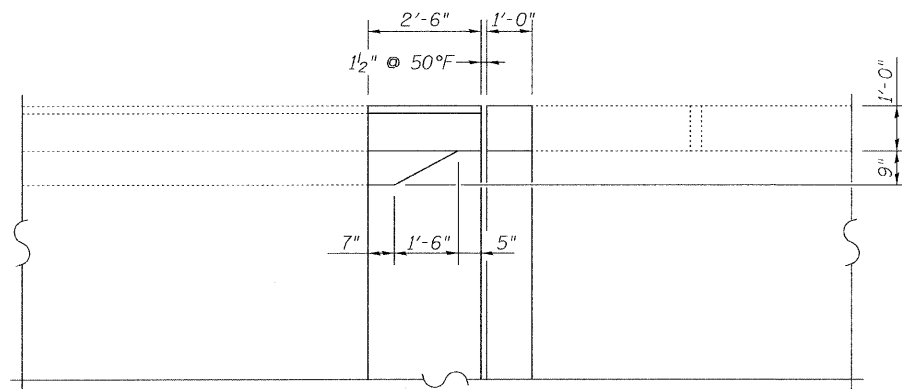
CROSS SECTION THRU PROPOSED DECK  
(South Abutment-Looking South)

\* Field cut  $d_1(E)$  as required to facilitate placement.

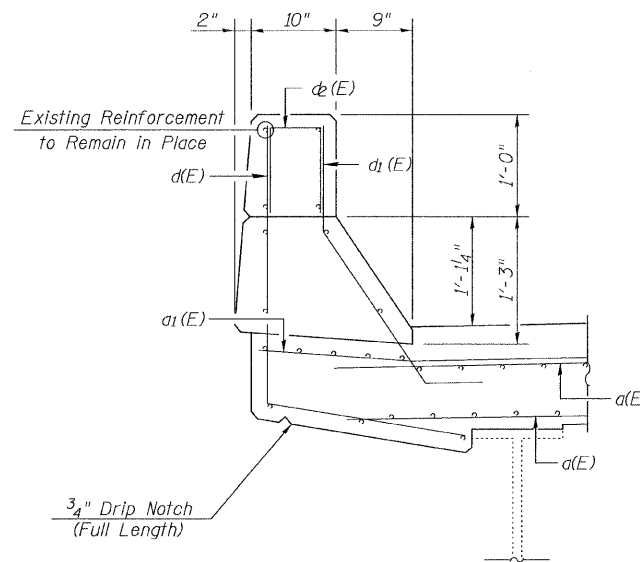


BILL OF MATERIAL  
SOUTH ABUTMENT

Bar	No.	Size	Length	Shape
$a_1(E)$	2	#6	4'-0"	—
$a_2(E)$	2	#6	4'-0"	—
$d(E)$	6	#4	4'-6"	U
$d_1(E)$	6	#5	3'-3"	—
$d_2(E)$	6	#4	1'-10"	U
$x(E)$	31	#5	3'-1"	—
Reinforcement Bars, Epoxy Coated			Lbs.	660
Concrete Superstructure			Cu. Yd.	4.4



PARTIAL PLAN OF PARAPET



SECTION THRU PROPOSED PARAPET

SUPERSTRUCTURE DETAILS FOR SOUTH ABUTMENT  
F.A.S. ROUTE 559 OVER KICKAPOO CREEK  
S.N. 054-3003



Allen Henderson & Associates, Inc.  
Civil and Structural Engineers Springfield, IL.  
62703 Phone: (217)544-8033 IL Design Firm  
No. 184-001907

SHEET NO. 10  
20 SHEETS

F.A.S. RTE.	SECTION	COUNTY	TOTAL SHEETS	SHEET NO.
559	09-00074-01-BR	LOGAN	22	12
CONTRACT NO. 93511				
FED. ROAD DIST. NO. ILLINOIS FED. AID PROJECT				