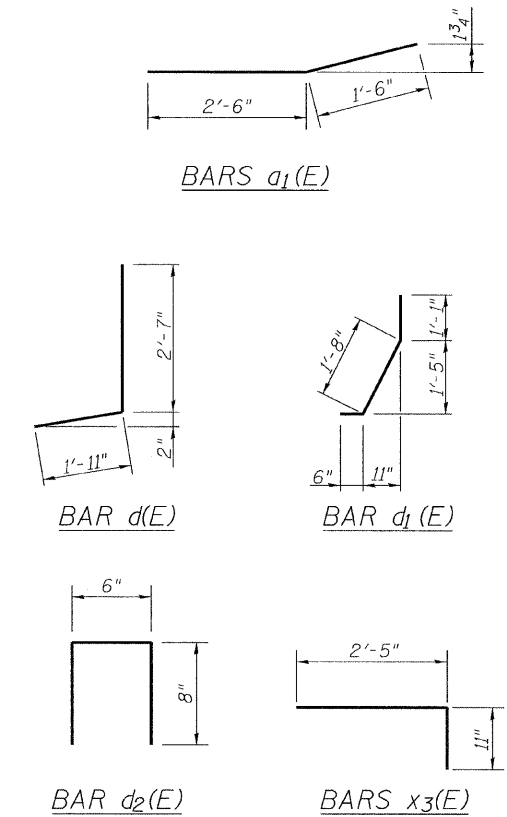
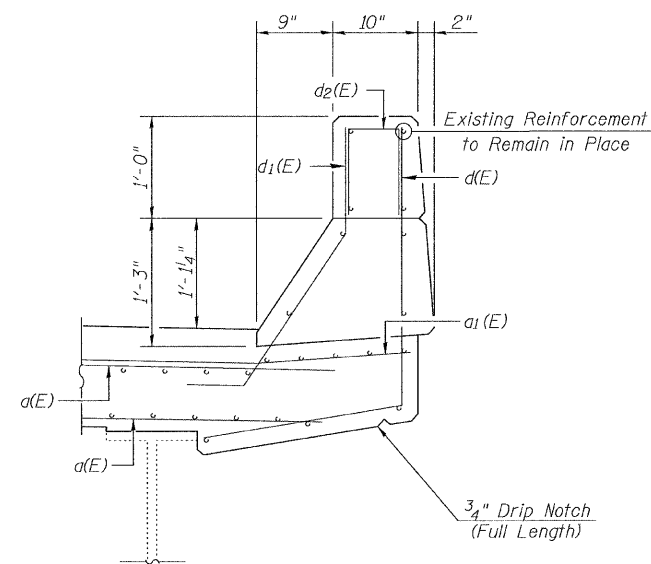


CROSS SECTION THRU PROPOSED DECK
(North Abutment-Looking North)

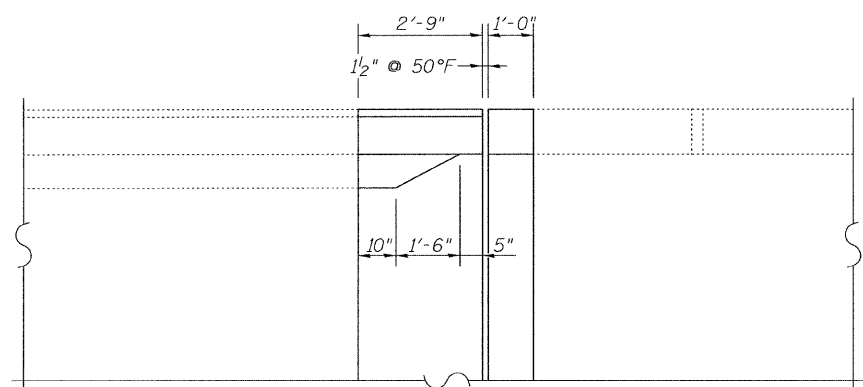


BILL OF MATERIAL
NORTH ABUTMENT

Bar	No.	Size	Length	Shape
a(E)	10	#6	32'-6"	—
a1(E)	4	#6	4'-0"	—
d(E)	6	#4	4'-6"	L
d1(E)	6	#5	3'-3"	L
d2(E)	6	#4	1'-10"	□
x3(E)	31	#5	3'-4"	—
Reinforcement Bars, Epoxy Coated				Lbs. 665
Concrete Superstructure				Cu. Yd. 5.0



SECTION THRU PROPOSED PARAPET



PARTIAL PLAN OF PARAPET

SUPERSTRUCTURE DETAILS FOR NORTH ABUTMENT
F.A.S. ROUTE 559 OVER KICKAPOO CREEK
S.N. 054-3003

Allen Henderson & Associates, Inc. Civil and Structural Engineers Springfield, IL 62703 Phone: (217)544-8033 IL Design Firm No. 184-001907	SHEET NO. 14	F.A.S. RTE. 559	SECTION 09-00074-01-BR	COUNTY LOGAN	TOTAL SHEETS 22	SHEET NO. 16
	20 SHEETS	CONTRACT NO. 99511				
	FED. ROAD DIST. NO. _ ILLINOIS FED. AID PROJECT					