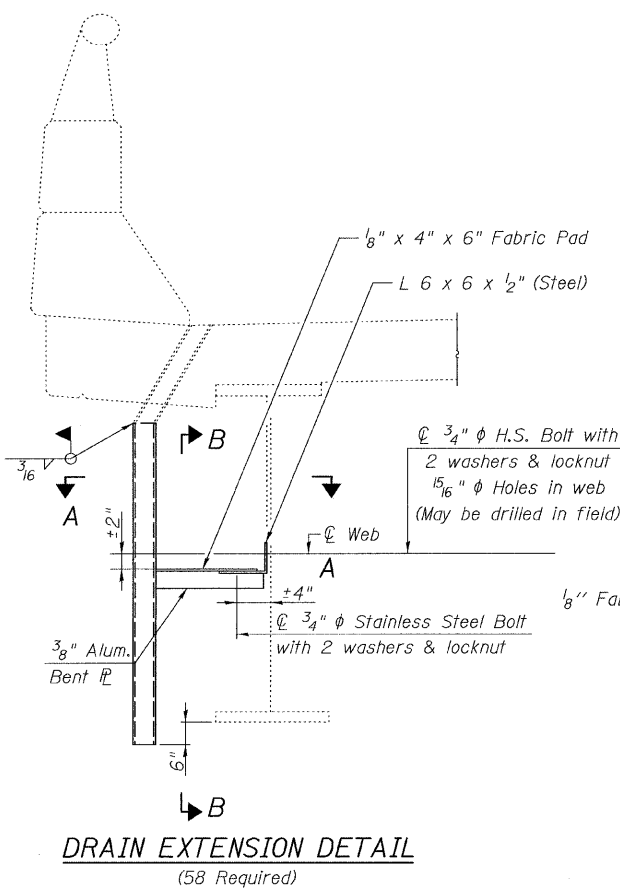


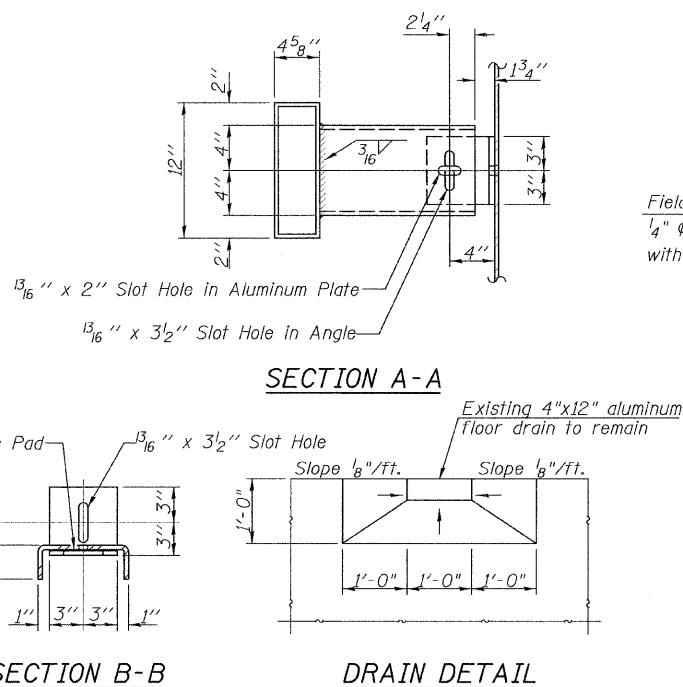
EXISTING PLAN

LEGEND

- Plug Existing Deck Drain
- Floor Drain Extensions

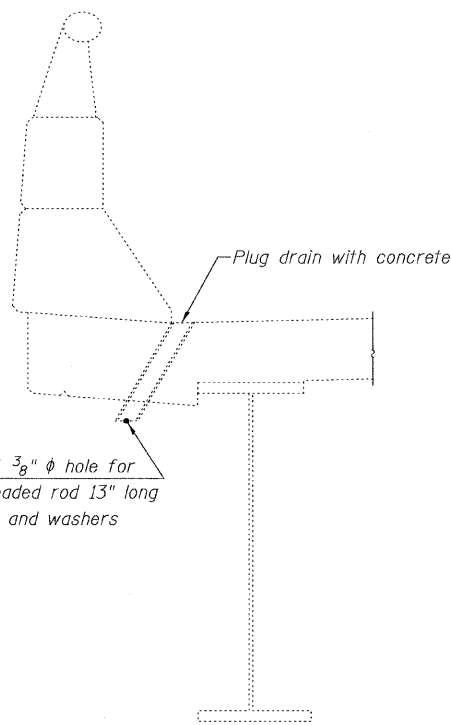


DRAIN EXTENSION DETAIL
(58 Required)



SECTION B-B

DRAIN DETAIL



DRAIN ELIMINATION DETAIL
(20 Required)

BILL OF MATERIAL

ITEM	UNIT	TOTAL
Floor Drain Extension	Each	58
Plug Existing Deck Drains	Each	20

FLOOR DRAIN DETAILS
F.A.S. ROUTE 559 OVER KICKAPOO CREEK
S.N. 054-3003



Allen Henderson & Associates, Inc.
Civil and Structural Engineers Springfield, IL.
62703 Phone: (217)544-8033 IL Design Firm
No. 184-001907

SHEET NO. 17
20 SHEETS

F.A.S. RTE.	SECTION	COUNTY	TOTAL SHEETS	SHEET NO.
559	09-00074-01-BR	LOGAN	22	19
CONTRACT NO. 93511				
FED. ROAD DIST. NO. _ ILLINOIS FED. AID PROJECT				