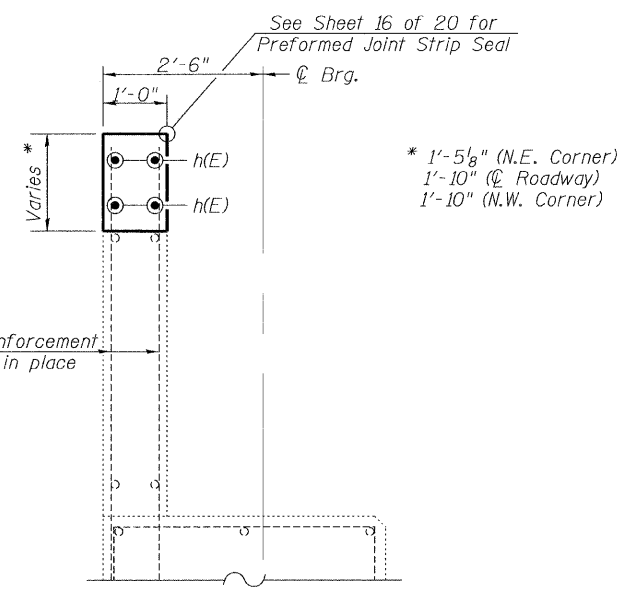
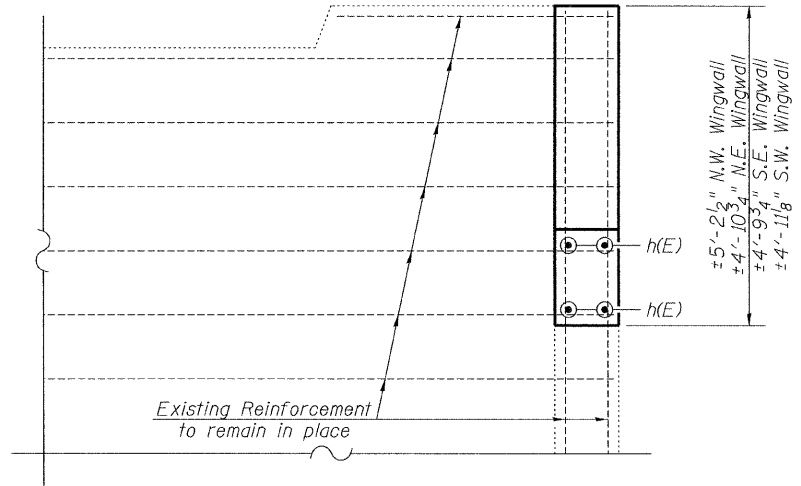


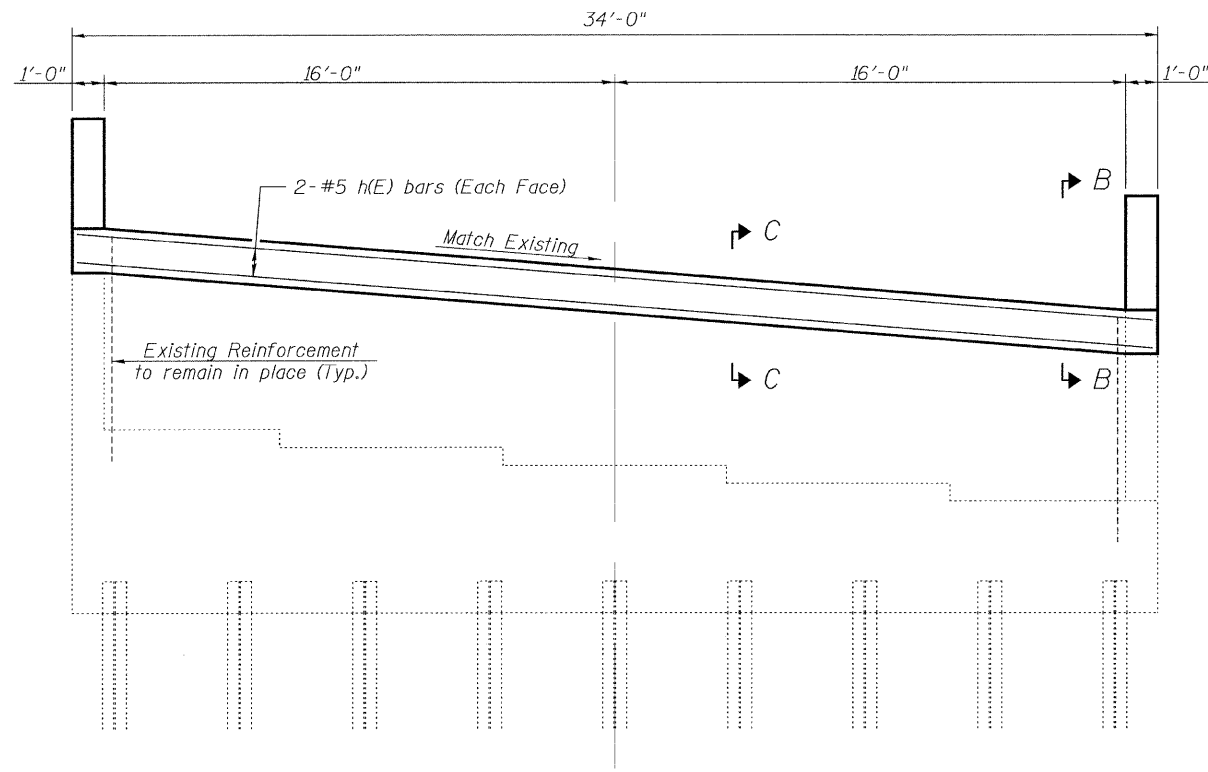
PROPOSED ELEVATION - NORTH ABUTMENT  
(Looking North)



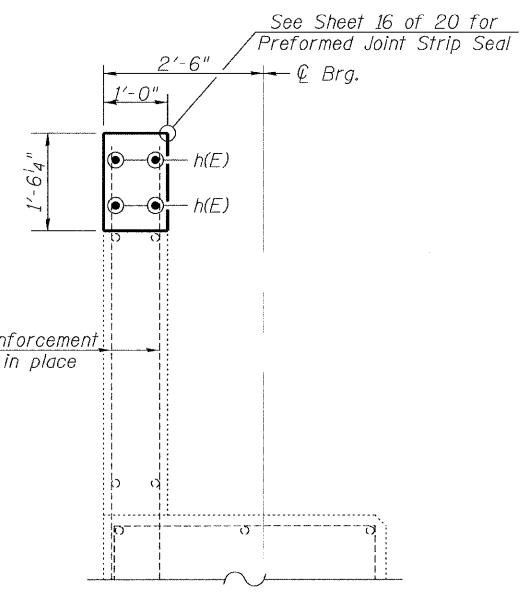
SECTION A-A



SECTION B-B



PROPOSED ELEVATION - SOUTH ABUTMENT  
(Looking South)



SECTION C-C

BILL OF MATERIAL - NORTH AND SOUTH ABUTMENTS

Bar	No.	Size	Length	Shape
h(E)	8	#5	33'-8"	—
Concrete Structures			Cu. Yds.	4.7
Reinforcement Bars, Epoxy Coated			Pounds	285
Relocating Name Plates			Each	1

See Sheets 6 and 8 of 20 for concrete removal.

ABUTMENT DETAILS  
F.A.S. ROUTE 559 OVER KICKAPOO CREEK  
S.N. 054-3003

**Allen Henderson & Associates, Inc.**  
Civil and Structural Engineers Springfield, IL.  
62703 Phone: (217)544-8033 IL Design Firm  
No. 184-001907

SHEET NO. 20 20 SHEETS	F.A.S. RTE.	SECTION	COUNTY	TOTAL SHEETS	SHEET NO.
	559	09-00074-01-BR	LOGAN	22	22
					CONTRACT NO. 98511
FED. ROAD DIST. NO. _ ILLINOIS FED. AID PROJECT					