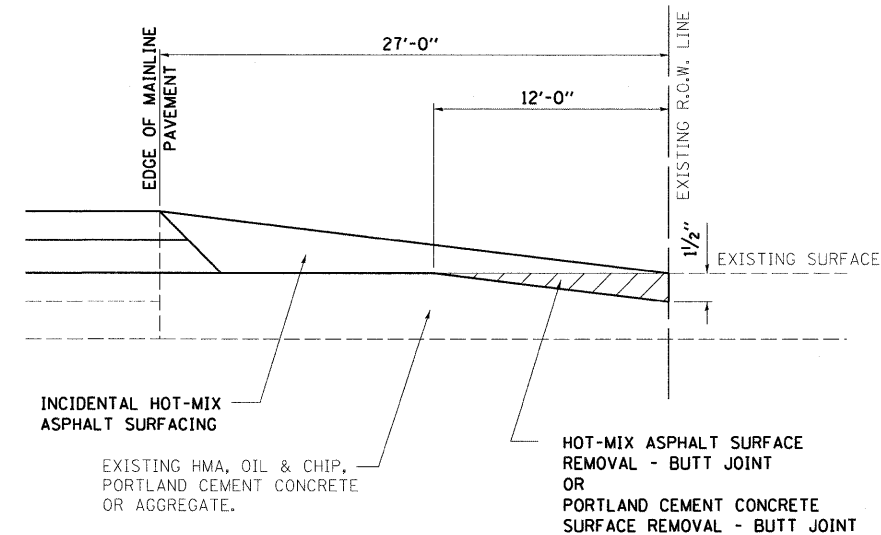


**MAINLINE BUTT JOINT DETAIL**

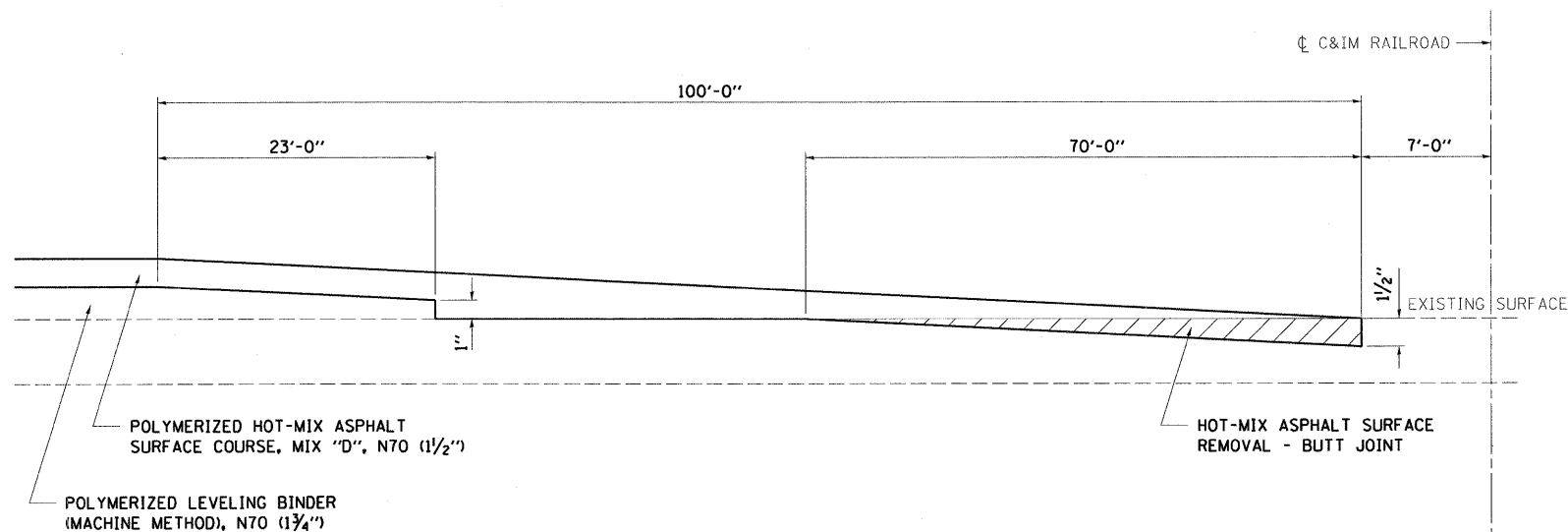
STA. 1042+52.00 TO STA. 1042+82.00 (MIX "C")  
 STA. 1161+35.00 TO STA. 1161+65.00 (MIX "D")



**NOTE:** REMOVAL OF OIL & CHIP SURFACE PAID FOR AS HOT-MIX ASPHALT SURFACE REMOVAL - BUTT JOINT.  
 REMOVAL OF AGGREGATE SURFACE NECESSARY TO MAINTAIN 1/2" MINIMUM HMA THICKNESS SHALL BE INCLUDED IN THE COST OF INCIDENTAL HOT-MIX ASPHALT SURFACING.

**SIDE ROAD AND ENTRANCE BUTT JOINT DETAIL**

SEE PLANS FOR LOCATIONS AND ENTRANCE TYPES



**MAINLINE BUTT JOINT DETAIL AT RAILROAD**

STA. 1147+08.00 TO STA. 1147+78.00  
 STA. 1147+92.00 TO STA. 1148+62+00

(NOTE: BUTT JOINT IS SYMMETRICAL ABOUT C RAILROAD)

GREENE & BRADFORD, INC.  
 OF BRIDGEVILLE, MISSOURI  
 1100 SOUTH MAIN STREET  
 BRIDGEVILLE, MISSOURI 63037  
 PHONE: (636) 337-1100  
 FAX: (636) 337-1101  
 WWW: WWW.GREENE-AND-BRADFORD.COM

FILE NAME = J:\09002.07\CADD\CADsheets\0900207-shd-details.dgn	USER NAME = frankv	DESIGNED - WCB	REVISED -
C&B PROJECT: 09002.07	PLOT SCALE = 50.0000' / 1" / in.	DRAWN - MDS	REVISED -
PLOT DRIVER = V61.TDS700.PS_LOCAL_IDDT.pltToPg	PLOT DATE = 11/19/2009	CHECKED - WCB	REVISED -
	DATE = 9/24/09	DATE - 9/24/09	REVISED -

**CITY OF TAYLORVILLE  
 SPRESSER STREET IMPROVEMENTS**

**DETAILS**

SCALE: SHEET NO. 1 OF 1 SHEETS STA. TO STA.

F.A.U. RTE.	SECTION	COUNTY	TOTAL SHEETS	SHEET NO.
7877	09-00060-00-RS	CHRISTIAN	14	4
CONTRACT NO. 93512				
FED. ROAD DIST. NO. ILLINOIS FED. AID PROJECT ARA-M-50670171				