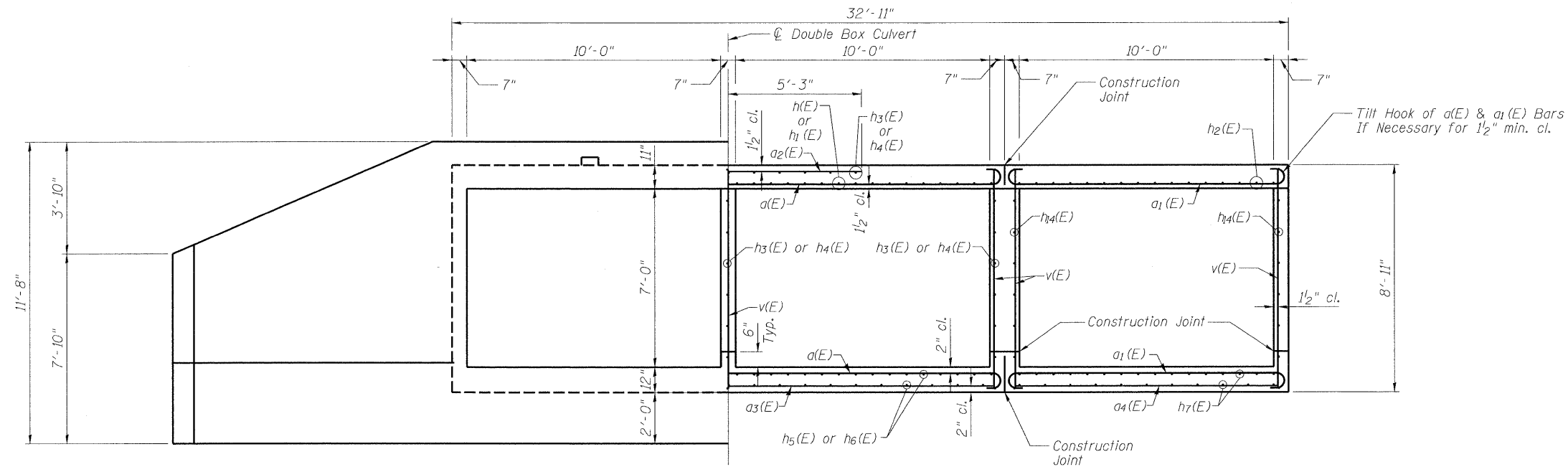
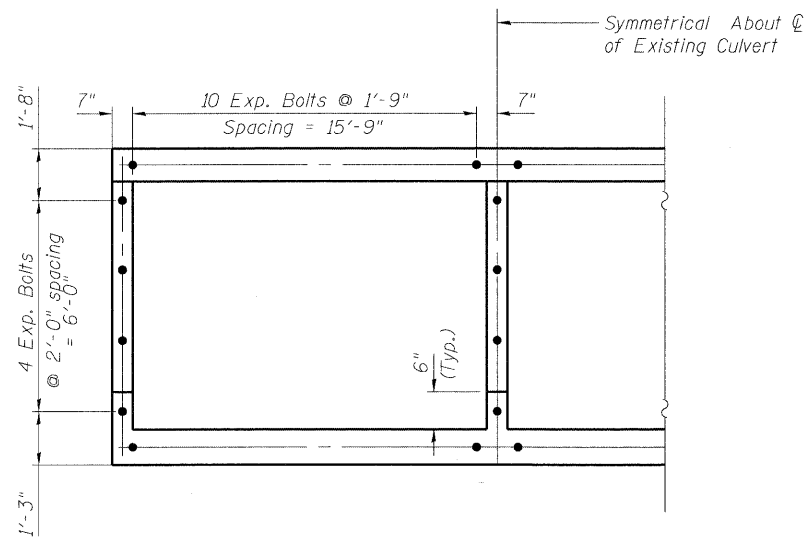


STATE OF ILLINOIS
DEPARTMENT OF TRANSPORTATION

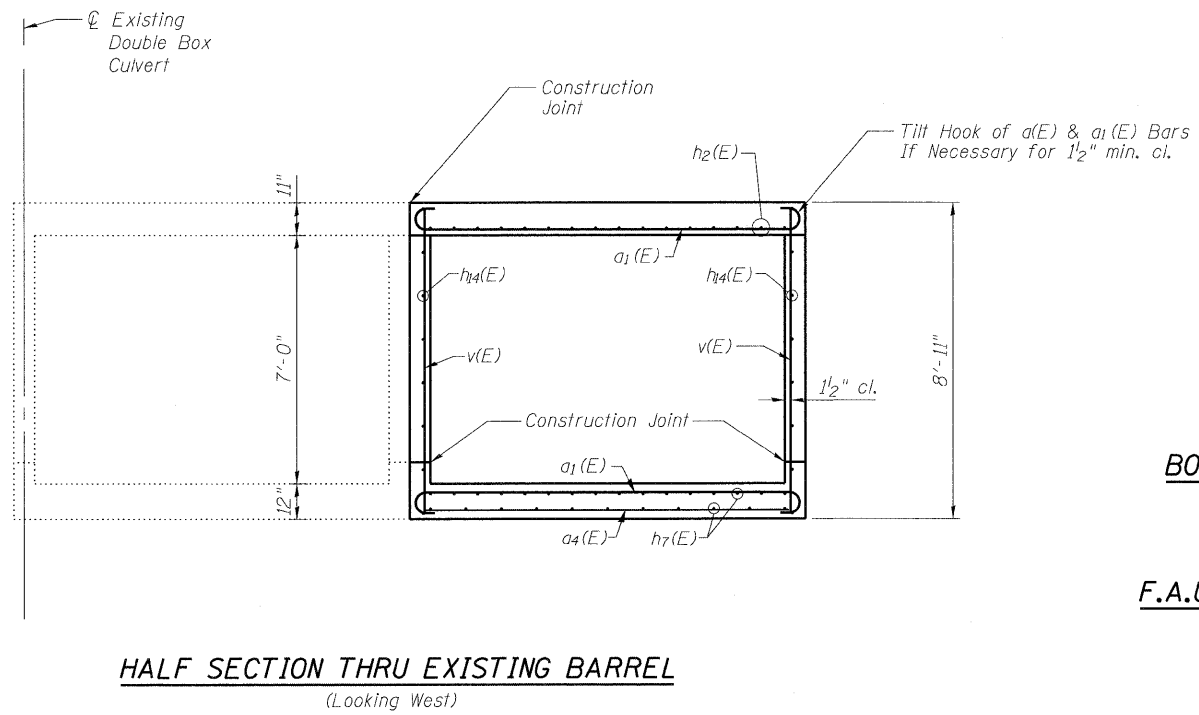


HALF END ELEVATION
(Looking West)

HALF SECTION THRU BARREL EXTENSIONS
(Looking West)



EXPANSION BOLT PLACEMENT DETAIL
(104 Required)



HALF SECTION THRU EXISTING BARREL
(Looking West)

BOX CULVERT SECTION DETAILS
GORDON DRIVE OVER
GRINDSTONE CREEK
F.A.U. 8153 - SEC. 09-00028-01-DR
SANGAMON COUNTY
STATION 41+97.55
STRUCTURE NO. 084-8011



DESIGNED **NIWINSKI**
CHECKED **TRELLO**
DRAWN **VERENSKI**
CHECKED **TRELLO**

Note:
Expansion Bolts shall be 3/4" ϕ
Hooked Bolts. Hooked Bolts shall
extend a minimum of 9" into
new concrete.

| | | | | | |
|-------------|-----------------------|----------------|------------------|---------------|-----------|
| SHEET NO. 7 | F.A.U. RTE. | SECTION | COUNTY | TOTAL SHEETS | SHEET NO. |
| | 8153 | 09-00028-01-DR | SANGAMON | 32 | 19 |
| 9 SHEETS | CONTRACT NO. 93516 | | | | |
| | FED. ROAD DIST. NO. _ | ILLINOIS | FED. AID PROJECT | ARA-5082(009) | |