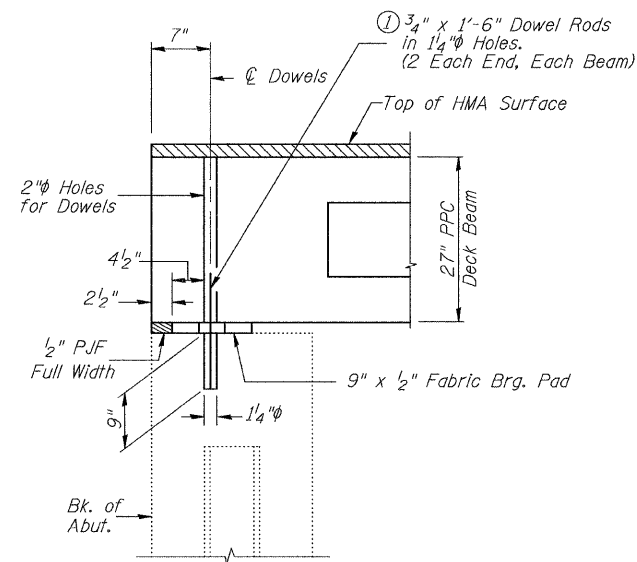
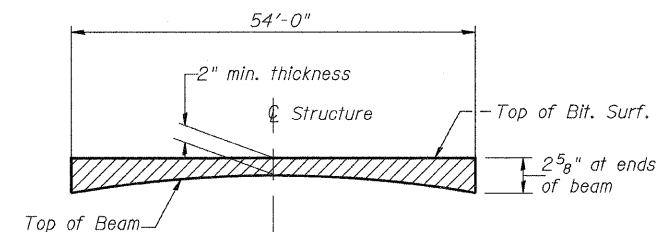


RAIL POST SPACING DETAIL



① Dowel rods shall be grouted after beams are in place and allowed to cure (min. 24 hrs.) prior to grouting shear keys.

SECTION THRU ABUT.



HOT-MIX ASPHALT SURFACE PROFILE

Includes Waterproofing Membrane System

**RAIL POST SPACING AND
SUPERSTRUCTURE DETAILS
SCOTT COUNTY
SECTION 09-00006-02-BR
C.H. 3 OVER WOLF RUN CREEK**

SHEET NO. 6 6 SHEETS	RTE.	SECTION	COUNTY	TOTAL SHEETS	SHEET NO.
	CH 3	09-00006-02-BR	SCOTT	10	10
	SN 086-3000		CONTRACT NO. 93519		
	FED. ROAD DIST. NO. 7 ILLINOIS		FED. AID PROJECT ARA-0605(107)		