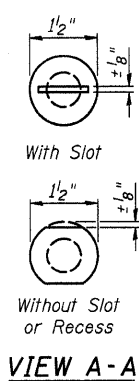
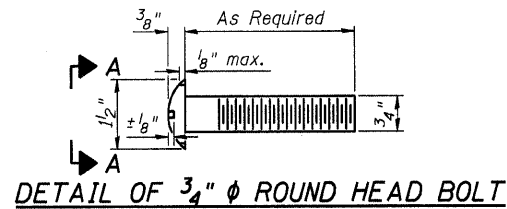
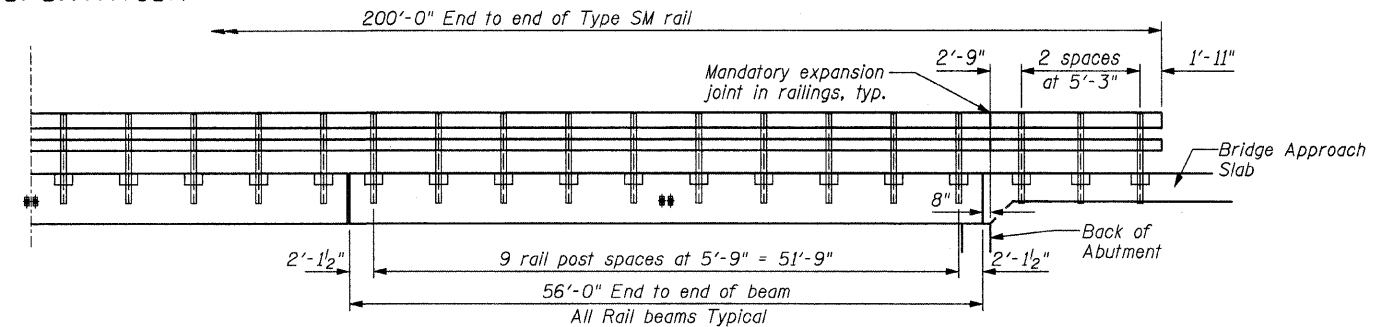


STATE OF ILLINOIS
DEPARTMENT OF TRANSPORTATION



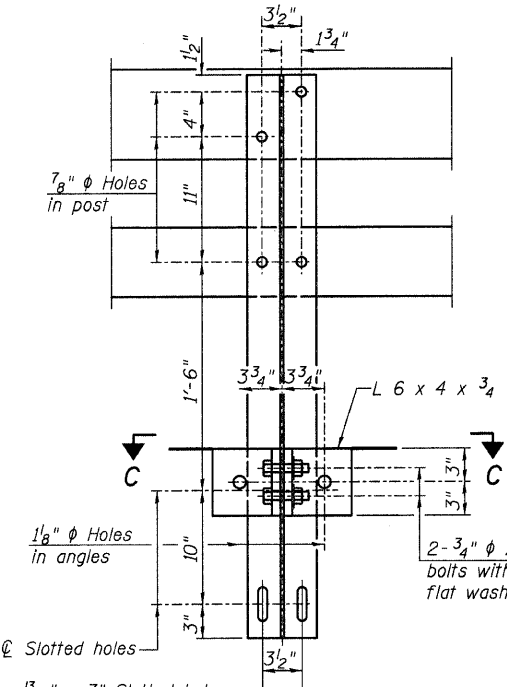
RAIL SPLICE CONNECTION
AT EXPANSION JT.

Locknut
1/8" x 2 1/2" Slotted Holes in hollow structural section
5/8" φ x 1 3/4" Cap Screw with flat washer & 3/4" φ XS pipe spacer, 1/2" long.



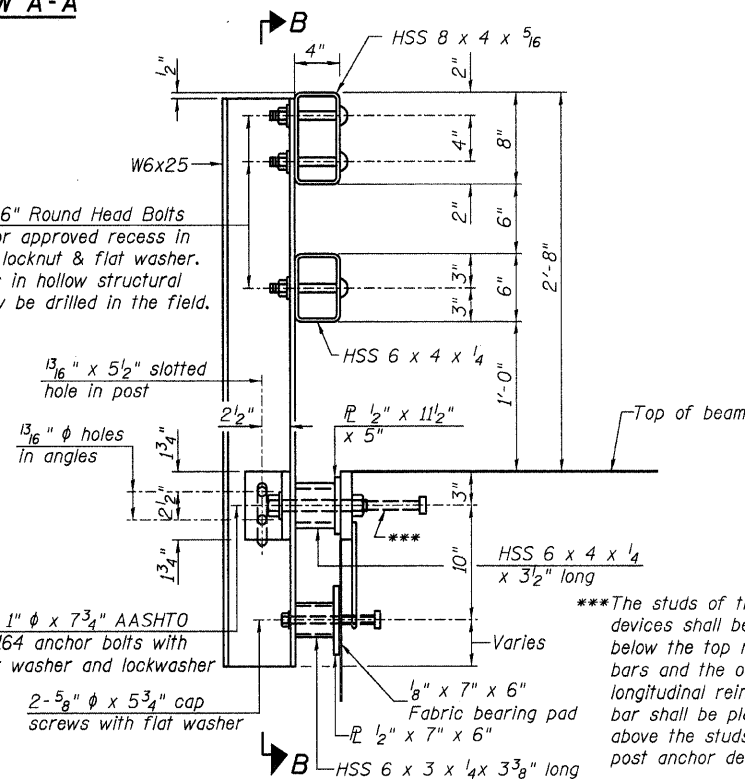
RAIL POST SPACING

Cost of furnishing and installing Type SM rail post Anchor Devices in Bridge Approach Slab shall be included in the cost for Concrete Superstructure and no additional compensation will be allowed.



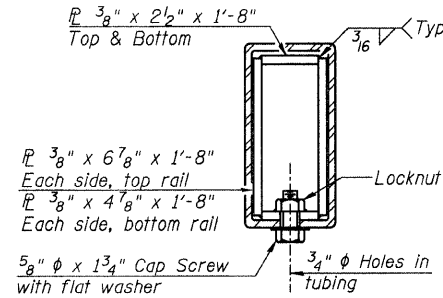
SECTION B-B

4- 3/4" φ x 6" Round Head Bolts (With slot or approved recess in head) with locknut & flat washer. 7/8" φ holes in hollow structural section may be drilled in the field.



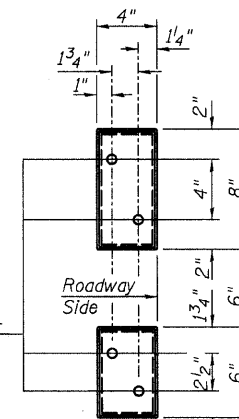
SECTION AT RAIL POST

***The studs of the anchor devices shall be placed below the top reinforcement bars and the outermost longitudinal reinforcement bar shall be placed directly above the studs of the rail post anchor device.

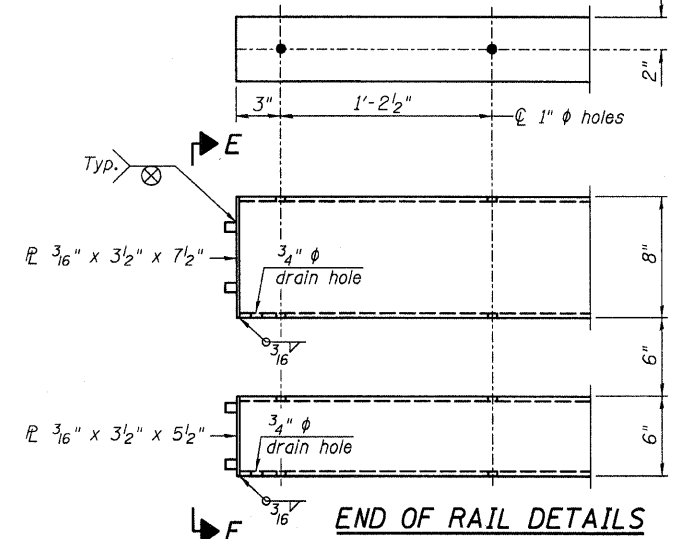


SECTION AT RAIL SPLICE

5/8" φ x 1 3/4" Cap Screw with flat washer
3/4" φ Holes in tubing
Locknut
3/16" Typ.

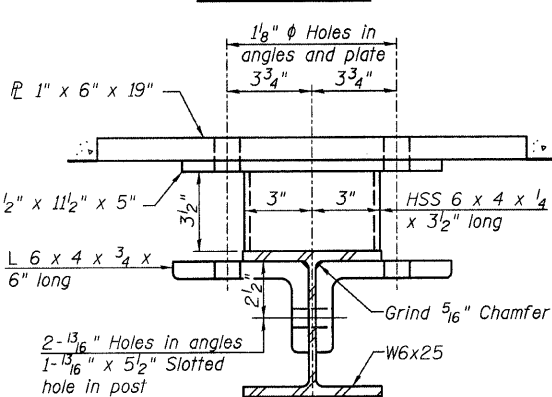


VIEW E-E

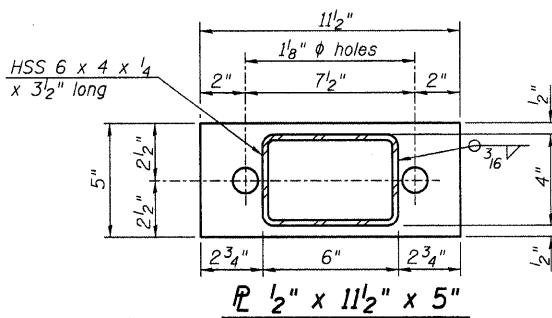


END OF RAIL DETAILS

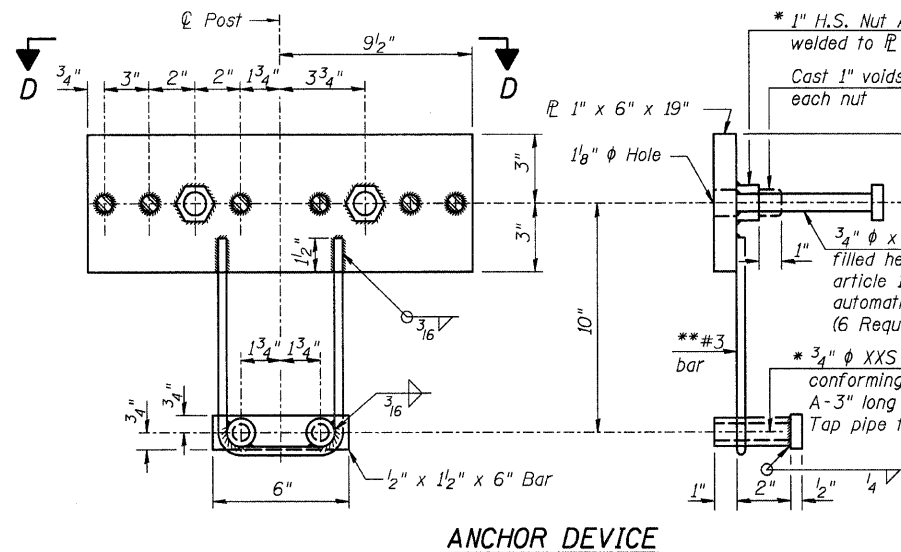
Notes:
All field drilled holes shall be coated with an approved zinc rich paint before erection.
For multi-span bridges, sufficient 1/4" x 6" x 1'-2" galvanized steel shims shall be provided to align rail between adjacent spans. Cost included with Steel Railing, Type SM.
All steel rail members shall be galvanized according to Article 509.05 of the Standard Specifications.



SECTION C-C

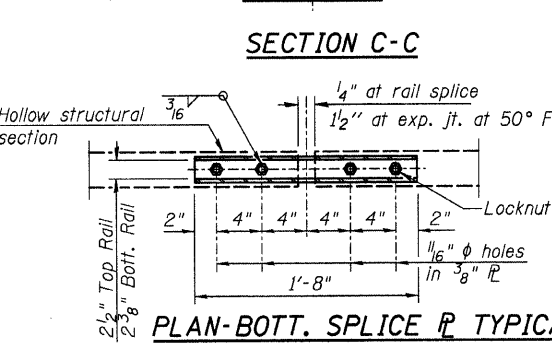


Anchor Device



ANCHOR DEVICE

*Threaded areas shall be plugged or blocked off during casting of beam. Galvanized after fabrication.



PLAN-BOTT. SPLICE R TYPICAL

BILL OF MATERIAL

Item	Unit	Quantity
Steel Railing, Type SM	Foot	400

STEEL RAILING, TYPE SM DETAILS
STRUCTURE NO. 013-3234

F.A.S. RTE.	SECTION	COUNTY	TOTAL SHEETS	SHEET NO.
801	09-00082-00-BR	CLAY	14	9
CONTRACT NO. 95613				
FED. ROAD DIST. NO. 7 ILLINOIS FED. AID PROJECT				