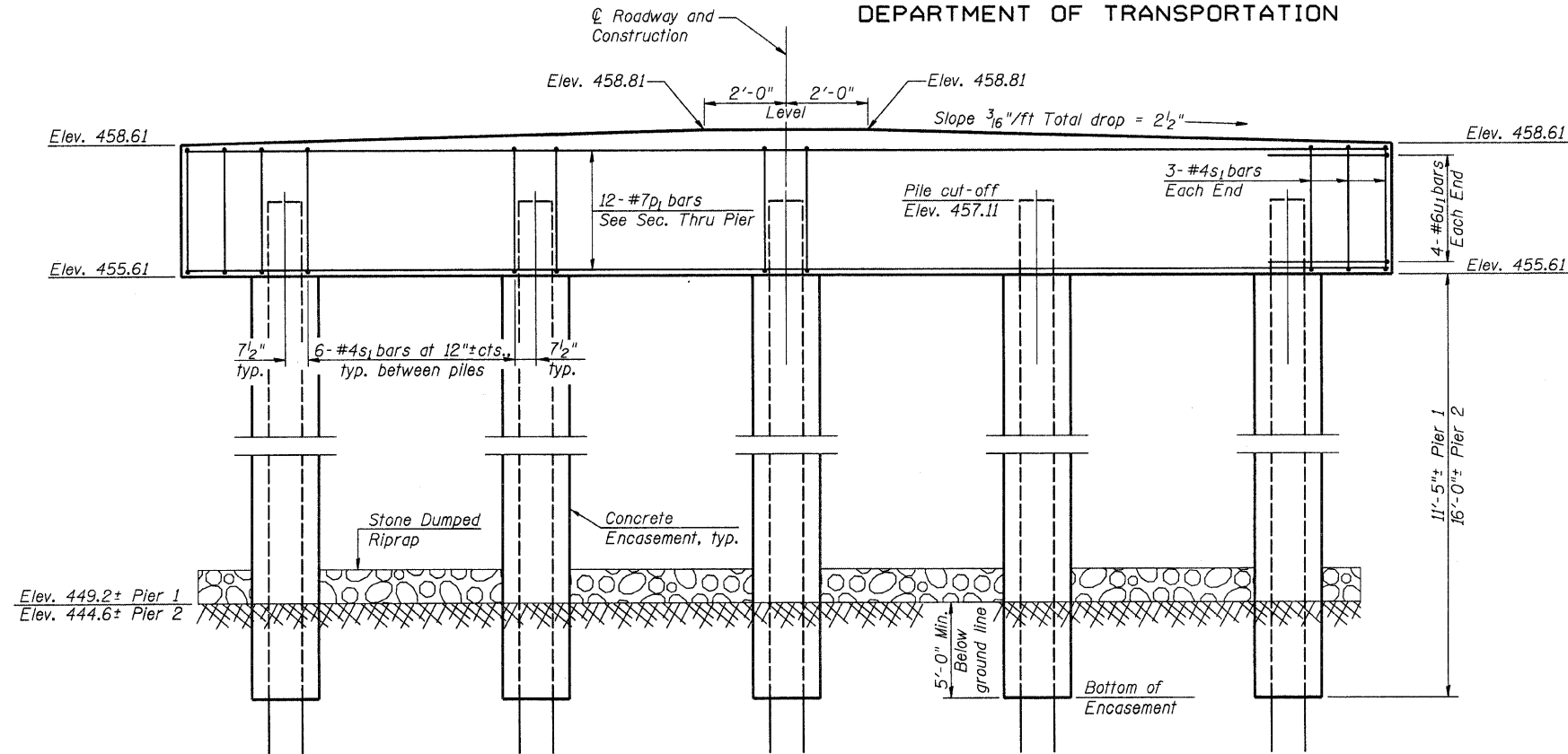
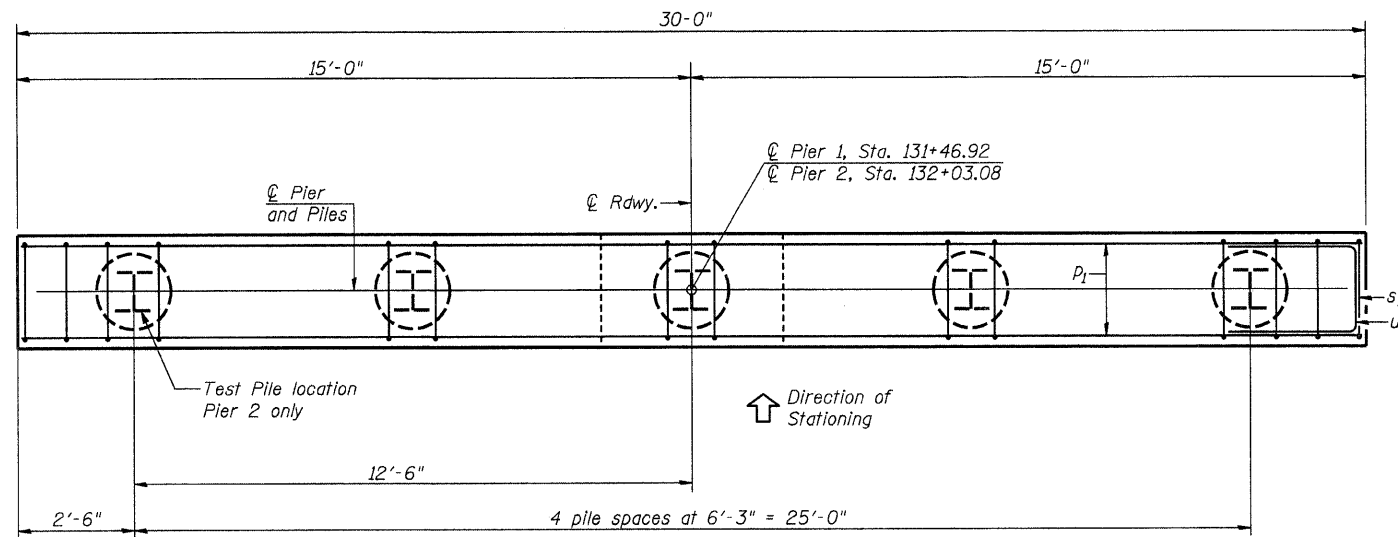


STATE OF ILLINOIS
DEPARTMENT OF TRANSPORTATION



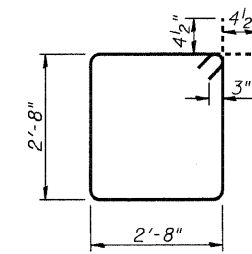
ELEVATION



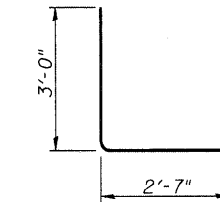
PLAN

PILE DATA (2 PIERS)

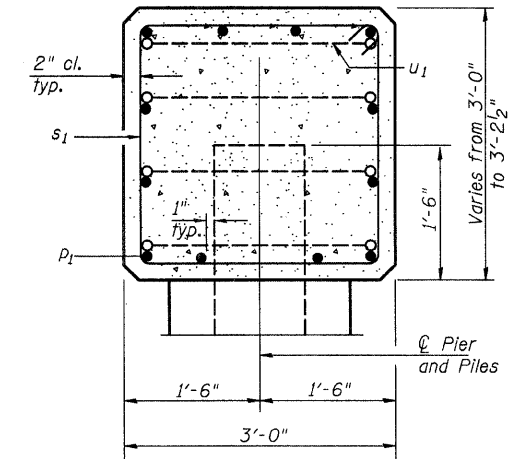
Type: Steel HP12x53
Nominal Required Bearing: 419 kips
Factored Resistance Available: 210 kips
Est. Length: 30 foot/pile
No. Production Piles: 9
No. Test Piles: 1



BAR s₁



BAR u₁



SEC. THRU PIER

GENERAL NOTES

All exposed edges shall have standard 3/4" chamfer, unless otherwise noted.

All clearances between rebar and form surface shall be 2", unless otherwise noted.

Space reinforcement in cap to miss PPCDB dowel rods.

The Steel H-piles shall be according to AASHTO M270 Grade 50.

The Contractor shall drive one (1) Steel HP12x53 Test Pile in a permanent location at Pier 2 as directed by the Engineer before ordering the remainder of the piles.

The Test Pile shall be driven to 110 percent of the Nominal Required Bearing indicated in the pile data information.

BILL OF MATERIAL
FOR ONE PIER

Bar	No.	Size	Length	Shape
p ₁	12	#7	29'-8"	—
s ₁	30	#4	11'-5"	□
u ₁	8	#6	8'-7"	U
Concrete Structures	Cu Yd		10.4	
Reinforcement Bars	Pound		1060	
Furnishing Steel Piles, HP12x53	Foot	Pier 1	150	
		Pier 2	120	
Driving Piles	Foot	Pier 1	150	
		Pier 2	120	
Test Pile, Steel HP12x53	Each	Pier 1	0	
		Pier 2	1	
Concrete Encasement	Cu Yd	Pier 1	6.7	
		Pier 2	9.3	

For details of piles and Concrete Encasement, see Sheet 12 of 14.

PIER DETAILS
STRUCTURE NO. 013-3234

F.A.S. RTE.	SECTION	COUNTY	TOTAL SHEETS	SHEET NO.
801	09-00082-00-BR	CLAY	14	11
CONTRACT NO. 95613				
FED. ROAD DIST. NO. 7 ILLINOIS FED. AID PROJECT				