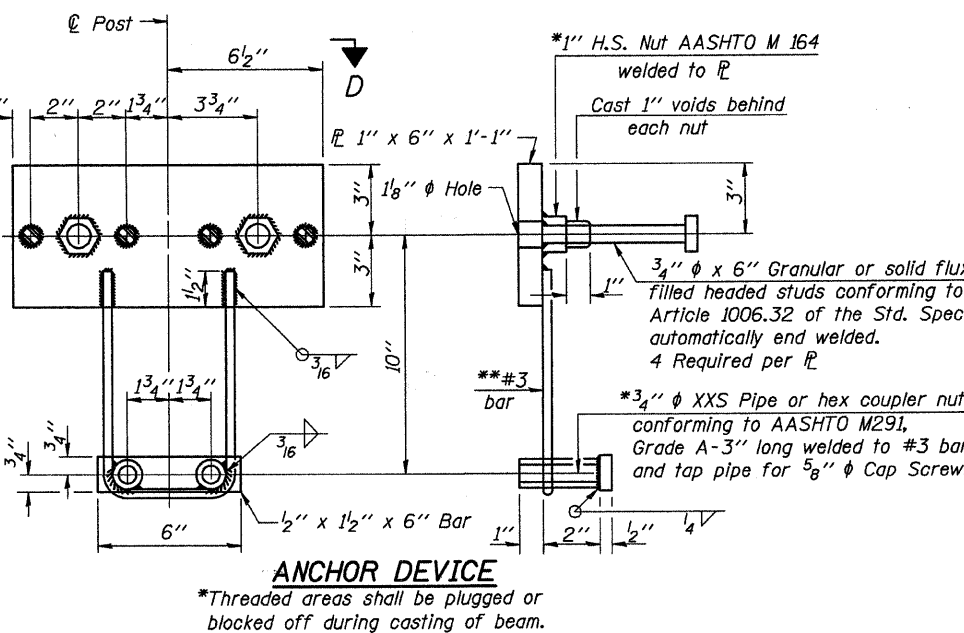
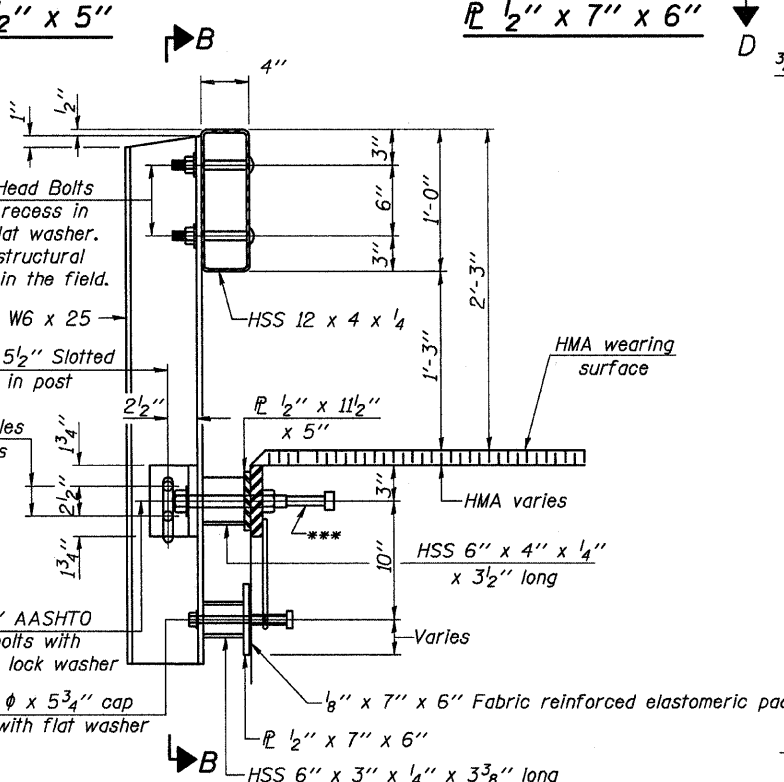
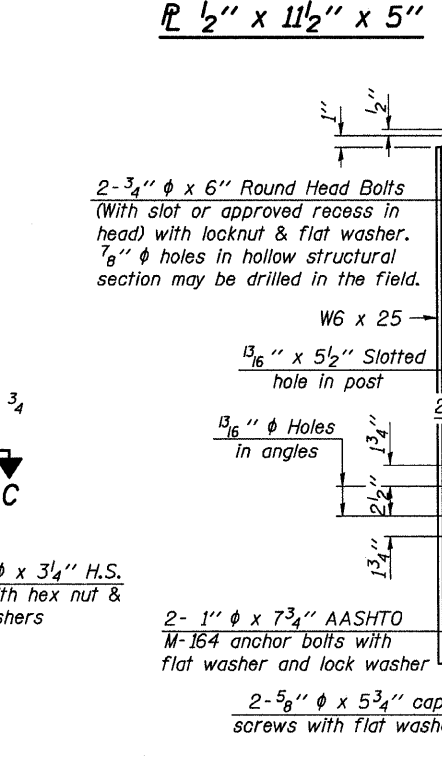
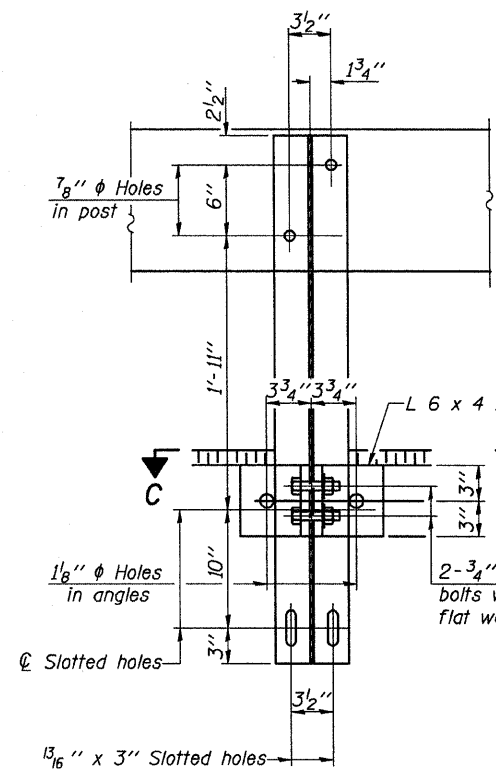
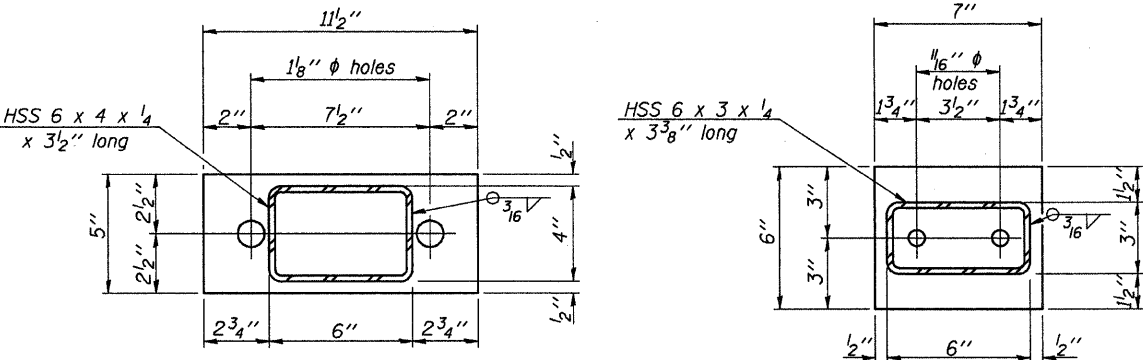
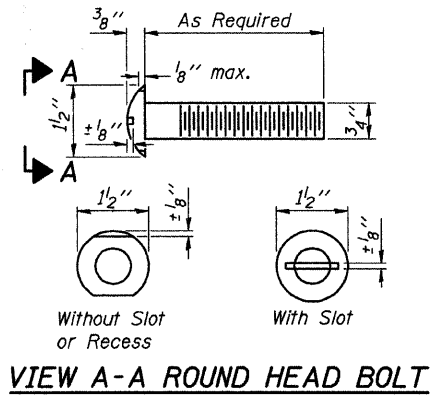
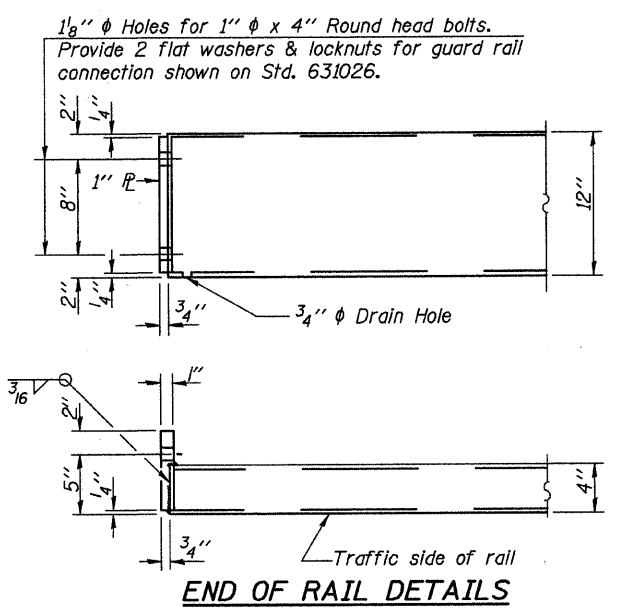
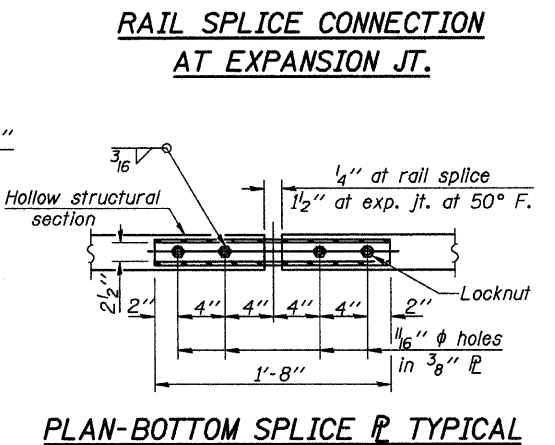
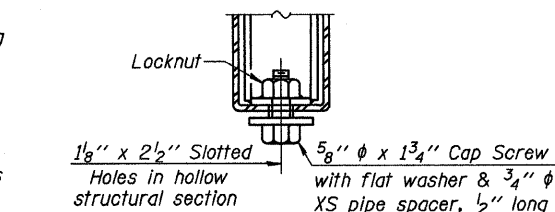
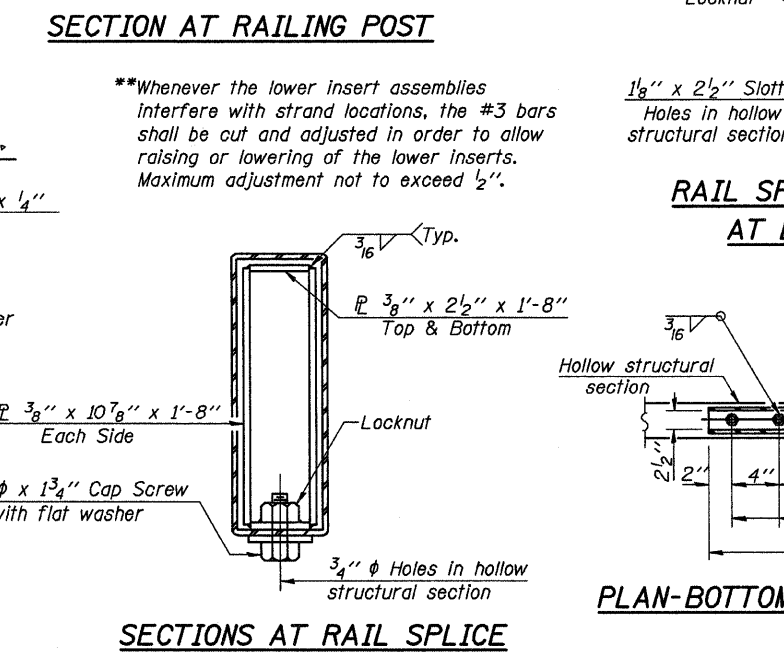
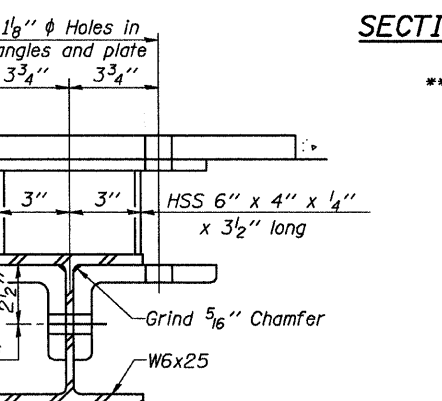
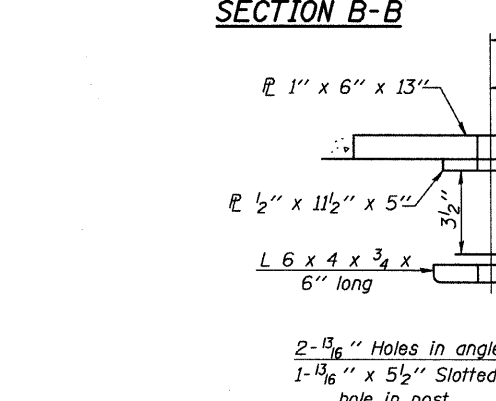
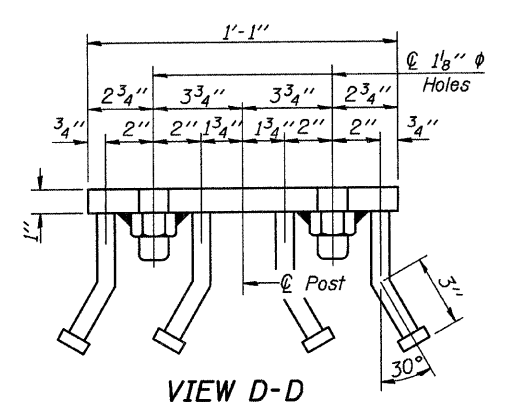


ROUTE	SECTION	COUNTY	TOTAL SHEETS	SHEET NO.
T.R. 186A	05-10127-00-BR	JASPER	15	8
CONTRACT NO. 95620		ILLINOIS	PROJECT BROS-079(140)	



Notes:
 All field drilled holes shall be coated with an approved zinc rich paint before erection.
 For multi-span bridges, sufficient 1/4" x 6" x 1'-2" galvanized steel shims shall be provided to align rail between adjacent spans. Cost included with Steel Railing, Type S-1.
 All steel rail elements shall be galvanized according to Article 509.05 of the Standard Specifications.
 ***The studs of the anchor devices shall be placed below the top reinforcement bars and the outermost longitudinal reinforcement bar shall be placed directly above the studs of the rail post anchor device.



BILL OF MATERIAL

Item	Unit	Quantity
Steel Railing, Type S-1	Foot	150

STEEL RAILING, TYPE S-1

CHARLESTON ENGINEERING, INC.
 CONSULTING ENGINEERS
 105 NORTH KITCHELL
 P.O. BOX 397
 OLNEY, ILLINOIS 62450
 (618) 362-0736
 ILLINOIS DEPARTMENT OF PROFESSIONAL REGULATION REGISTRATION #184.003513

STEEL RAILING, TYPE S1
 STRUCTURE NO. 040-3260
 T.R. 186A
 OVER BRUSH CREEK
 SECTION 05-10127-00-BR
 JASPER COUNTY
 STATION 5+14.25