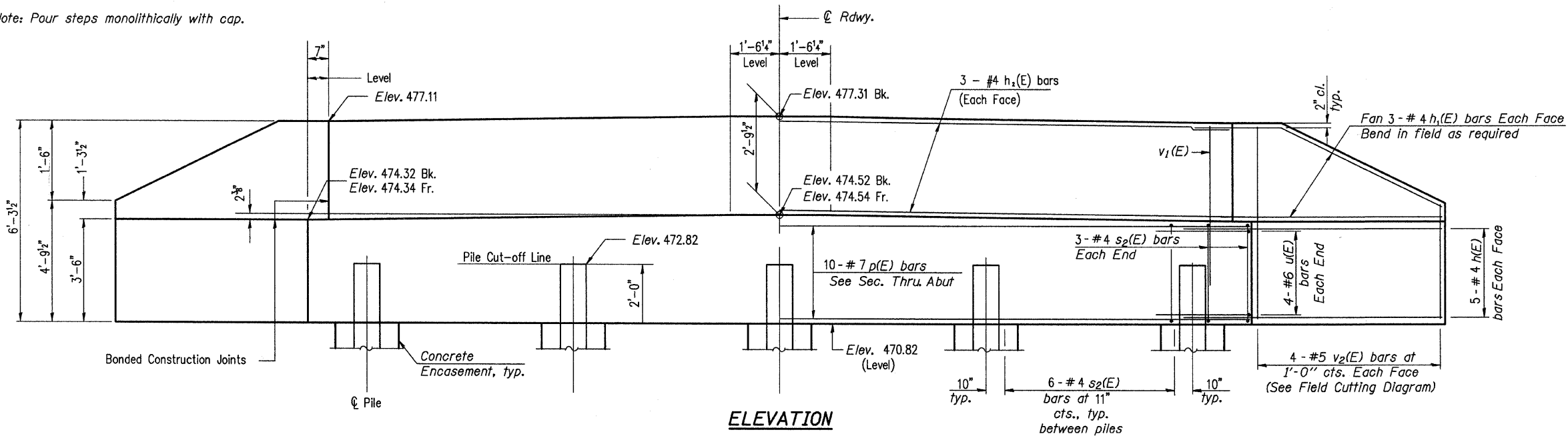
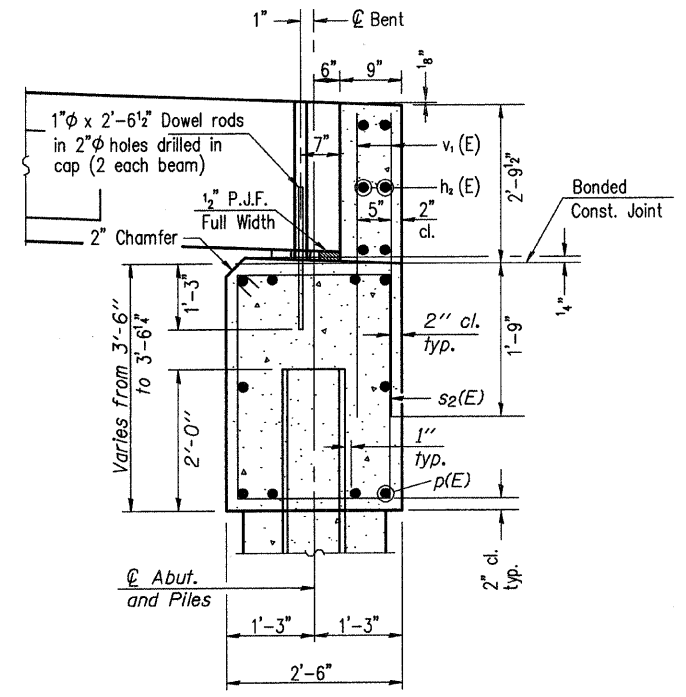


ROUTE	SECTION	COUNTY	TOTAL SHEETS	SHEET NO.
T.R. 186A	05-10127-00-BR	JASPER	15	10
CONTRACT NO. 95620		ILLINOIS	PROJECT BROS-079(140)	

Note: Four steps monolithically with cap.



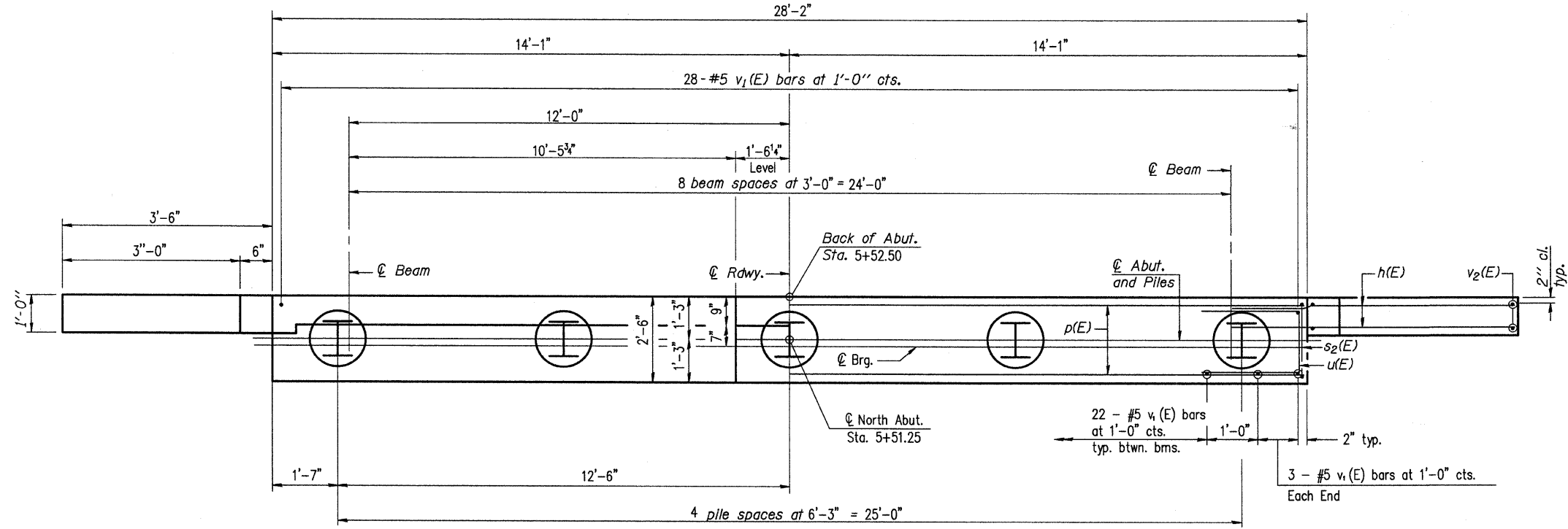
**ELEVATION**



**SEC. THRU ABUT.**

**BILL OF MATERIAL**

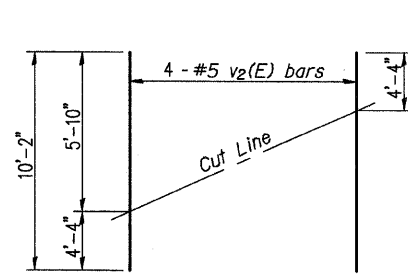
Bar	No.	Size	Length	Shape
h(E)	20	#4	5'-0"	—
h1(E)	12	#4	5'-3"	—
h2(E)	6	#4	27'-10"	—
p(E)	10	#7	27'-10"	—
s2(E)	30	#4	11'-5"	□
u(E)	8	#6	11'-1"	—
v1(E)	56	#5	4'-5"	—
v2(E)	8	#5	10'-2"	—
Concrete Structures			Cu. Yd.	13.2
Reinforcement Bars, Epoxy Coated			Pound	1500
Furnishing Steel Piles HP 12X53			Foot	120
Driving Piles			Foot	120
Test Pile			Each	1
Concrete Encasement			Cu. Yd.	1.8



**PLAN**

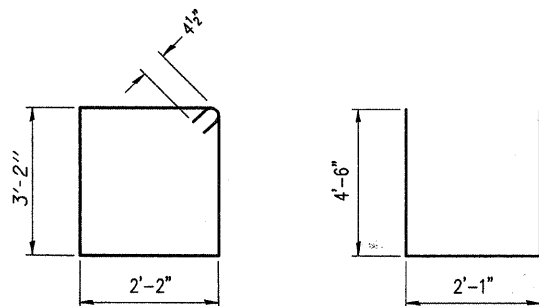
**PILE DATA**

Type: HP 12X53  
 Nominal Required Bearing: 419 kips  
 Factored Resistance Available: 170 kips  
 Est. Length: 30 Feet  
 No. Production Piles: 4  
 No. Test Piles: 1



**FIELD CUTTING DIAGRAM**

Order v2(E) full length. Cut as shown and use remainder of bars in opposite face.



**BAR s2(E)**

**BAR u(E)**

- Notes:
- The Backwall and the portion of the Wingwalls above the bonded construction joint shall be cast against the in-place beam.
  - Space reinforcement in cap to miss anchor bolts.
  - The test pile shall be driven to 110 percent of the Nominal Required Bearing indicated in the pile data information.

For details of piles and Concrete Encasement, see sheet 11 of 15.

**CHARLESTON ENGINEERING, INC.**  
 CONSULTING ENGINEERS  
 105 NORTH KITCHELL  
 P.O. BOX 387  
 OLNEY, ILLINOIS 62450  
 (618) 362-0736  
ILLINOIS DEPARTMENT OF PROFESSIONAL REGULATION REGISTRATION #184 003513

**NORTH ABUTMENT DETAILS**  
 STRUCTURE NO. 040-3260  
 T.R. 186A  
 OVER BRUSH CREEK  
 SECTION 05-10127-00-BR  
 JASPER COUNTY  
 STATION 5+14.25

**ABUTMENTS**