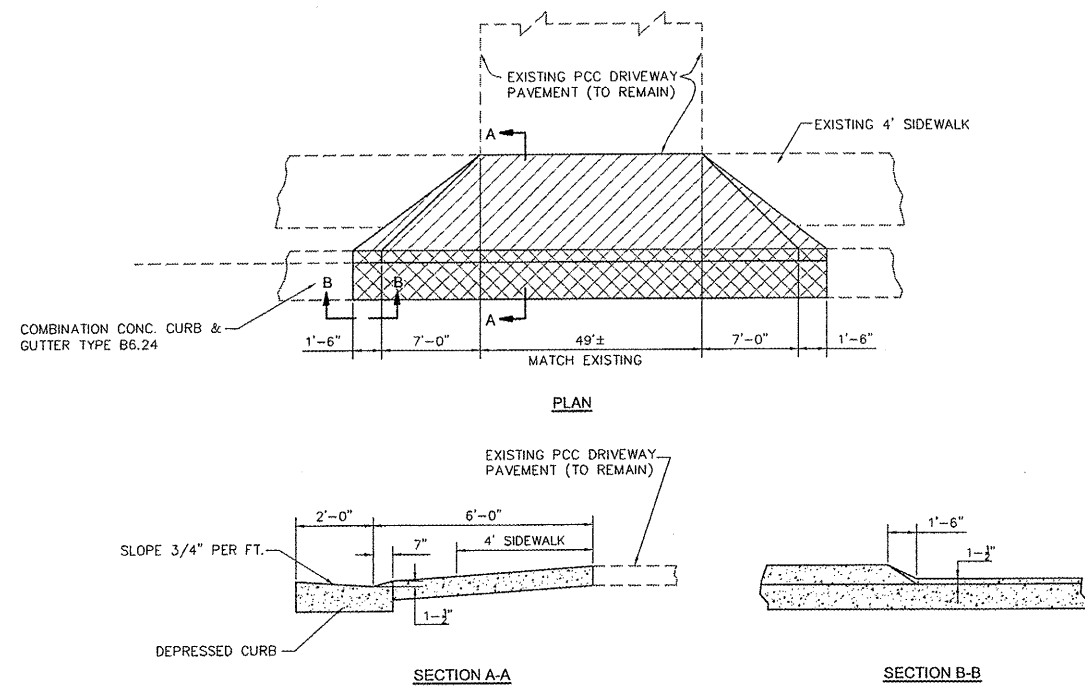


DATE	
BY	
REVIEWED	
APPROVED	
ALIGNED	
ADJUSTED	
CHECKED	
RET. OF WAY	
CHECKED	
PLAN	
DATE	
BY	
REVIEWED	
APPROVED	
ALIGNED	
CHECKED	
RET. OF WAY	
CHECKED	

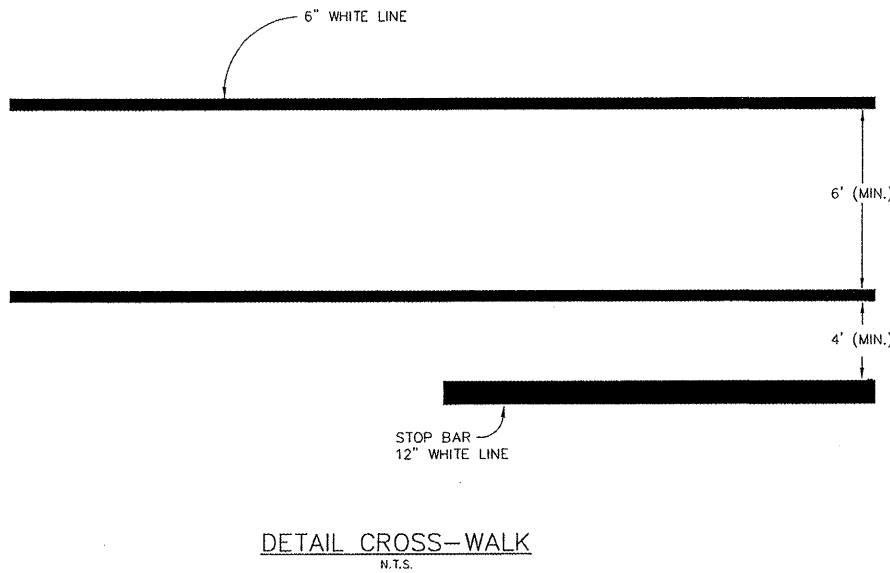
DATE	
BY	
REVIEWED	
APPROVED	
ALIGNED	
CHECKED	
RET. OF WAY	
CHECKED	
PROFILE	
DATE	
BY	
REVIEWED	
APPROVED	
ALIGNED	
CHECKED	
RET. OF WAY	
CHECKED	



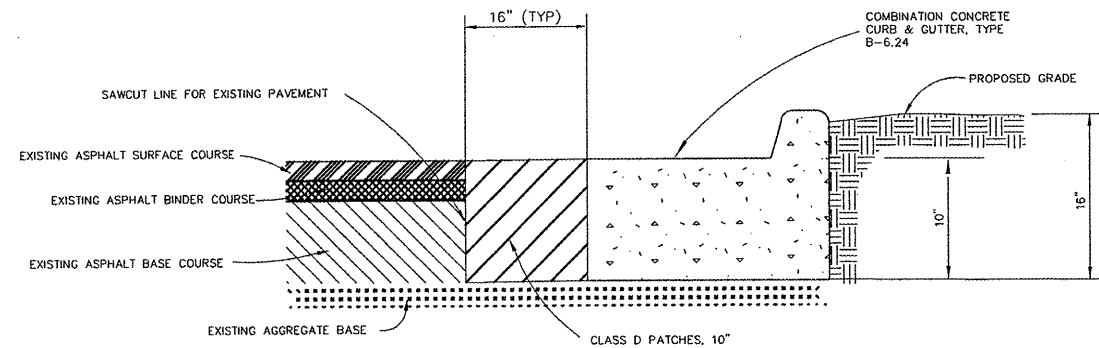
**EXISTING PCC DRIVEWAY PAVEMENT
REMOVAL DETAIL @ STA. 5+25**
NO SCALE

NOTES:

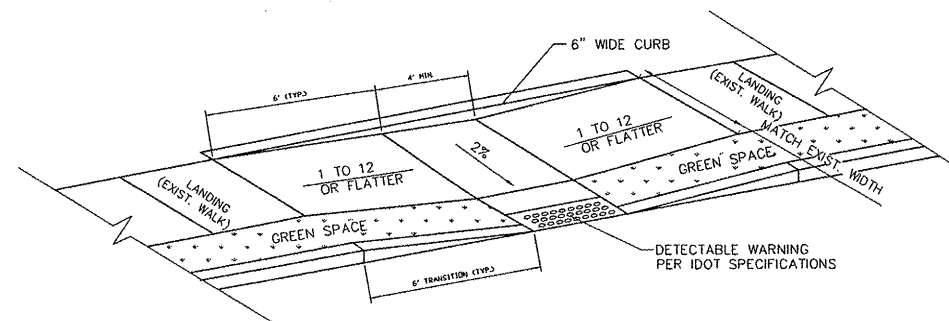
- REMOVE AND REPLACE PCC DRIVEWAY PAVEMENT (8")
- REMOVE AND REPLACE COMBINATION CURB & GUTTER TYPE B6.24



DETAIL CROSS-WALK
N.T.S.



NOTE: COMPLETE CURB & CUTTER AND PATCH INSTALLATION PRIOR TO MILLING
N.T.S.



ADA SIDEWALK RAMP (SPECIAL) DETAIL

SCALE: NONE
 LOCATIONS:
 STA. 0+50 TO STA. 0+72 LT.
 STA. 0+12 TO STA. 0+46 RT.
 STA. 71+73 TO STA. 71+90 LT.
 STA. 71+46 TO STA. 71+73 RT.
 NOTE: CURVATURE NOT SHOWN FOR CLARITY.

FILE NAME	USER NAME =	DESIGNED -- TAS	REVISED --
FILE#		DRAWN -- SDD	REVISED --
	PLOT SCALE = 1:1	CHECKED -- MRA	REVISED --
	PLOT DATE =	DATE 01-08-10	REVISED --

VILLAGE OF CAHOKIA
DORIS AVENUE RESURFACING

MISCELLANEOUS DETAILS

SCALE: N.T.S. SHEET NO. 17 OF 17 SHEETS STA. TO STA.

F.A.U. RTE.	SECTION	COUNTY	TOTAL SHEETS	SHEET NO.
9199	09-00044-00-RS	ST. CLAIR	17	17
FED. ROAD DIST. NO. ILLINOIS FED. AID PROJECT			CONTRACT NO. 97423	