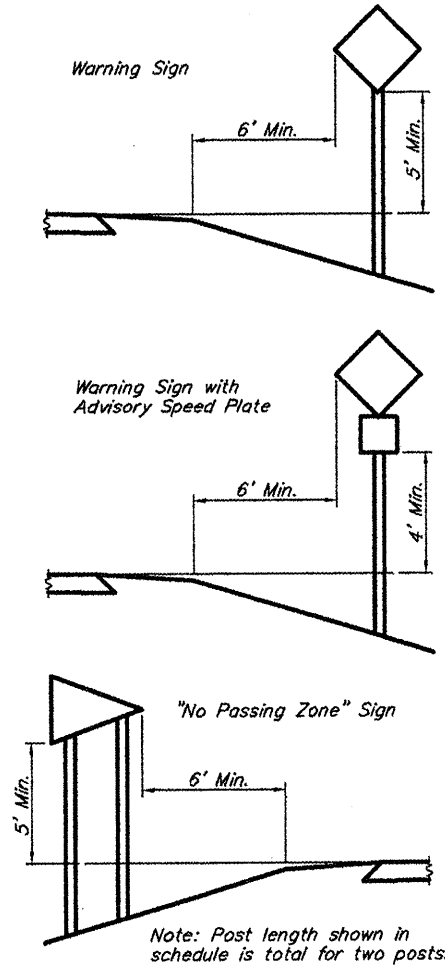


| | | | | |
|------------------------------|----------------|---------|--------------------|-----------|
| ROUTE | SECTION | COUNTY | TOTAL SHEETS | SHEET NO. |
| FAS 924 | 09-00082-00-RS | JOHNSON | 10 | 10 |
| PROJECT NO. ARA-RS-924 (124) | | | CONTRACT NO. 99372 | |

| SCHEDULE OF SIGNS | | | | |
|-------------------|----------------|-----------|---------|-------------|
| Location | Name | Signs | | Post Length |
| | | No. | Sq. Ft. | |
| Sta. 4+00 Lt. | CURVE | W1-2R | 6.25 | 16.5 |
| | ADVISORY SPEED | W13-1(30) | 2.25 | - |
| Sta. 58+00 Rt. | CURVE | W1-2R | 6.25 | 16.5 |
| | ADVISORY SPEED | W13-1(35) | 2.25 | - |
| Sta. 67+75 Lt. | CURVE | W1-2L | 6.25 | 16.5 |
| | ADVISORY SPEED | W13-1(35) | 2.25 | - |
| Sta. 86+50 Rt. | TURN | W1-1L | 6.25 | 16.5 |
| | ADVISORY SPEED | W13-1(15) | 2.25 | - |
| Sta. 92+00 Rt. | ARROW | W1-6 | 8.00 | 28.0 |
| Sta. 92+05 Rt. | ARROW | W1-6 | 8.00 | 28.0 |
| Sta. 97+50 Lt. | TURN | W1-1R | 6.25 | 16.5 |
| | ADVISORY SPEED | W13-1(15) | 2.25 | - |
| TOTALS | | | 58.50 | 138.5 |

* See Schedule of "No Passing Zones" for sign locations. Each location will have one sign of 5.55 Sq. Ft. and two posts with a combined length of 32.0 Ft. Quantities shown are totals.



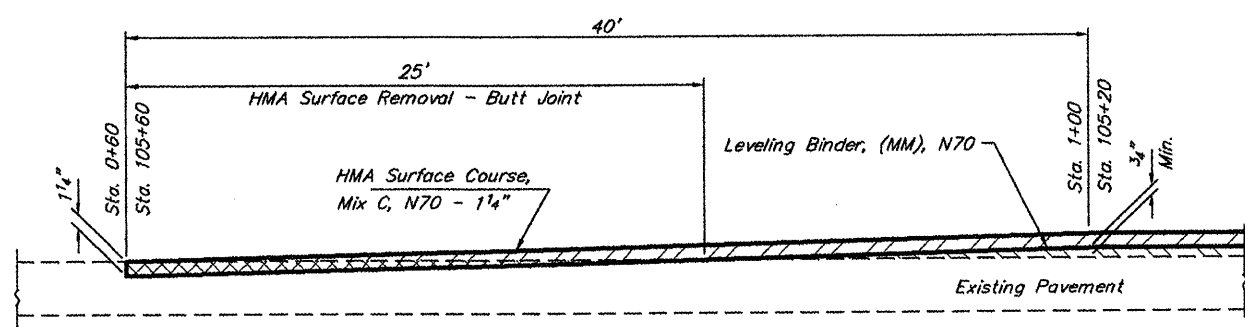
| SCHEDULE OF PAVEMENT MARKING LINE 4" (LIN. FT.) | | | |
|---|----------------------------|-------------------------|---------------------------|
| Location | Centerline (Yellow Dashed) | Edge Line (White Solid) | No Passing (Yellow Solid) |
| Sta. 0+60 to Sta. 105+60 | 1,750 | 20,750 | 11,480 |

See schedule for limits of "No Passing Zones".
See Standard 78001 for typical pavement markings.

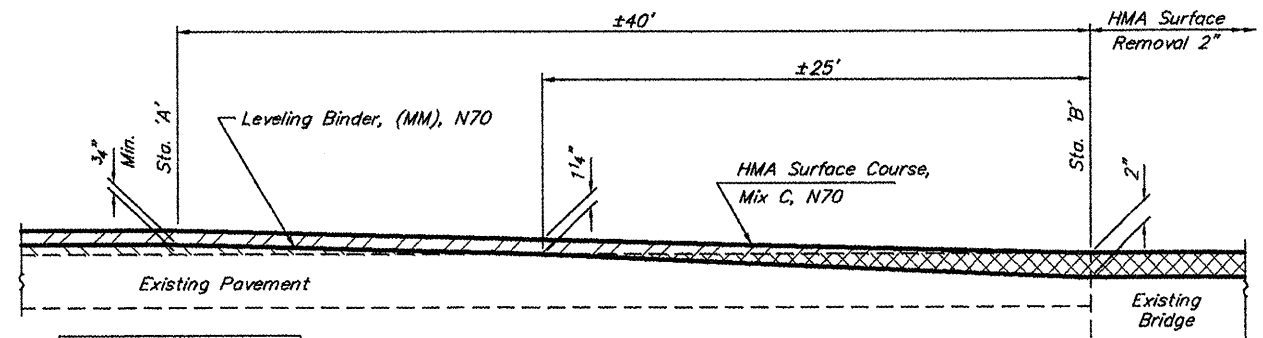
| SCHEDULE OF "NO PASSING ZONES" | | | |
|--------------------------------|--------|----------------------------|--------|
| EAST BOUND LANE | | WEST BOUND LANE | |
| Location | Length | Location | Length |
| Sta. 0+60 to Sta. 16+25 | 1,565' | Sta. 0+60 to Sta. 34+75' | 3,415' |
| Sta. 20+25' to Sta. 26+75 | 650' | Sta. 48+00 to Sta. 53+75' | 575' |
| Sta. 40+00' to Sta. 45+75 | 575' | Sta. 63+00 to Sta. 82+00' | 1,900' |
| Sta. 55+00' to Sta. 74+50 | 1,950' | Sta. 90+75 to Sta. 100+00' | 925' |
| Sta. 82+75' to Sta. 92+00 | 925' | | |
| TOTALS | | 5,665' | 5,815' |

¹ Denotes location of "No Passing Zone" signs to be erected in accordance with Sign Schedule & Mounting Detail.

SIGN SCHEDULE & MOUNTING DETAIL



BEGINNING & ENDING BUTT JOINT



| | |
|----------|----------|
| Sta. 'A' | Sta. 'B' |
| 65+98 | 66+38 |
| 67+48 | 67+08 |

BRIDGE PAVING DETAIL

685 MDET 12/07/09 15:19 RLM