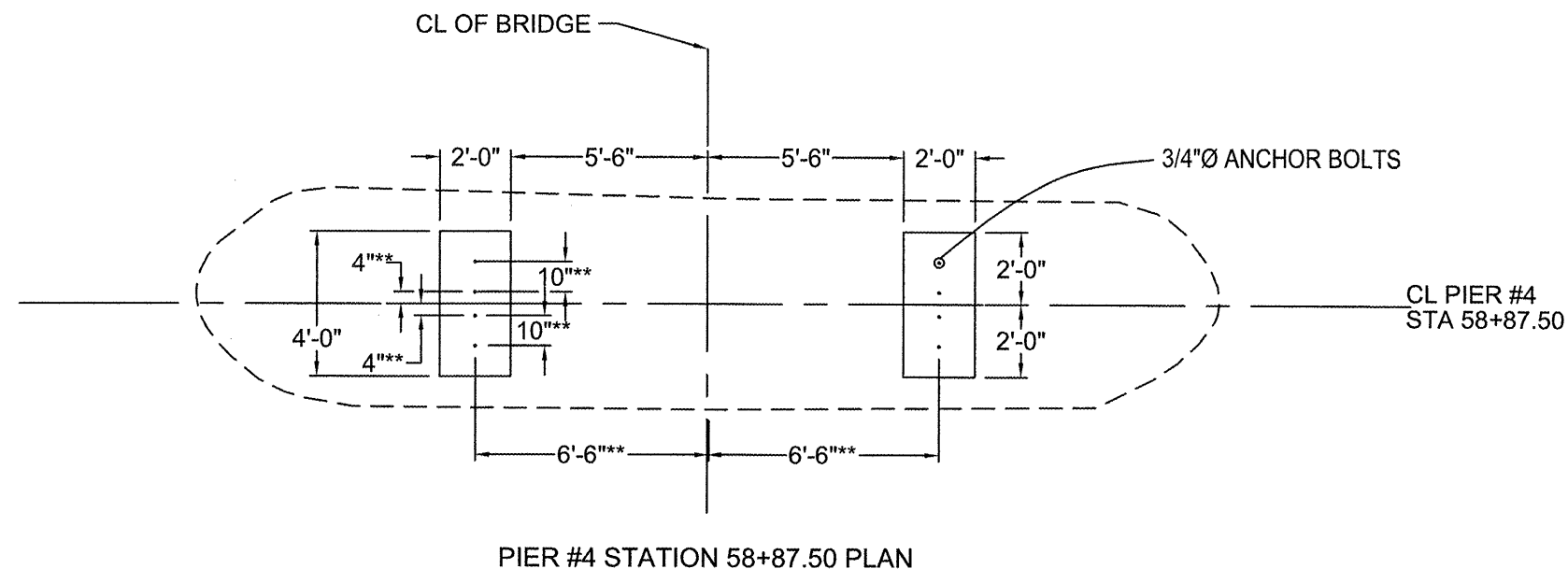


**BILL OF MATERIAL  
FOR PIER #4**

Bar	No.	Size	Length	Shape
S	48	#4	7'-11"	□
V13	24	#9	3'-9"	—
V9	24	#9	8'-4"	—
Concrete Structures	5.1 Cu. Yds.			
Reinforcement Bars	1240 Lbs.			

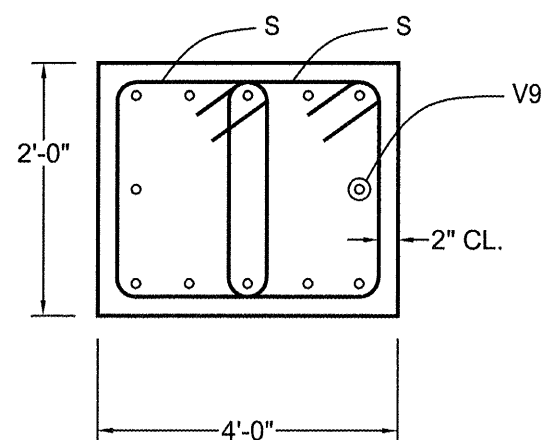
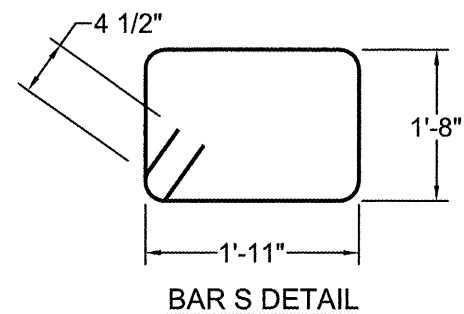
CONTRACT NO. 99383



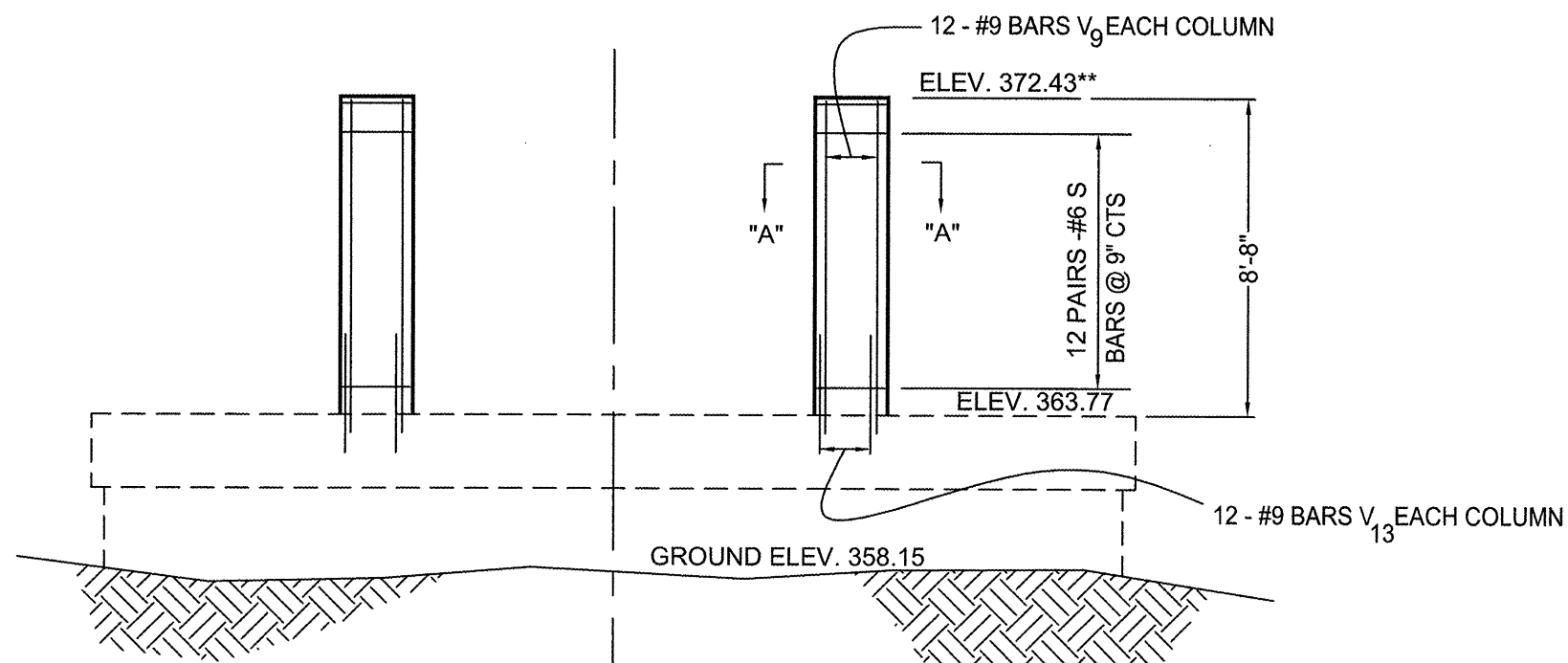
PIER #4 STATION 58+87.50 PLAN

\* BARS TO BE DRILLED & EPOXY GROUTED 9" INTO EXISTING CONC.

\*\* TO BE VERIFIED BY BRIDGE SUPPLIER



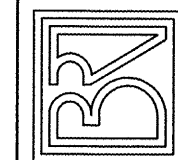
SECTION A-A



PIER #4 STATION 58+87.50

ELEVATION

**BROWN AND ROBERTS, INC.**  
CONSULTING ENGINEERS & LAND SURVEYORS  
1 WEST RIDGE ROAD HARRISBURG, IL. 62946 (618) 252-8111



SECTION 06-00082-00-BT  
PIER #4 DETAILS  
STATION 58+87.50

Drawn By: GSS  
Checked By: MWR

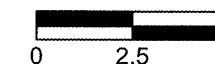
Revisions		
Item	Date	By

Scale: AS SHOWN  
Job Number: 05-138  
Date: 12/08

Sheet

**107**

of 115



12 Nov 2009 - 2:03pm X:\2009\05138\1\HARRISBURG\_PIA\PIER#4 DETAILS.dwg Layout Tab PIER #4 STA 58+87.50