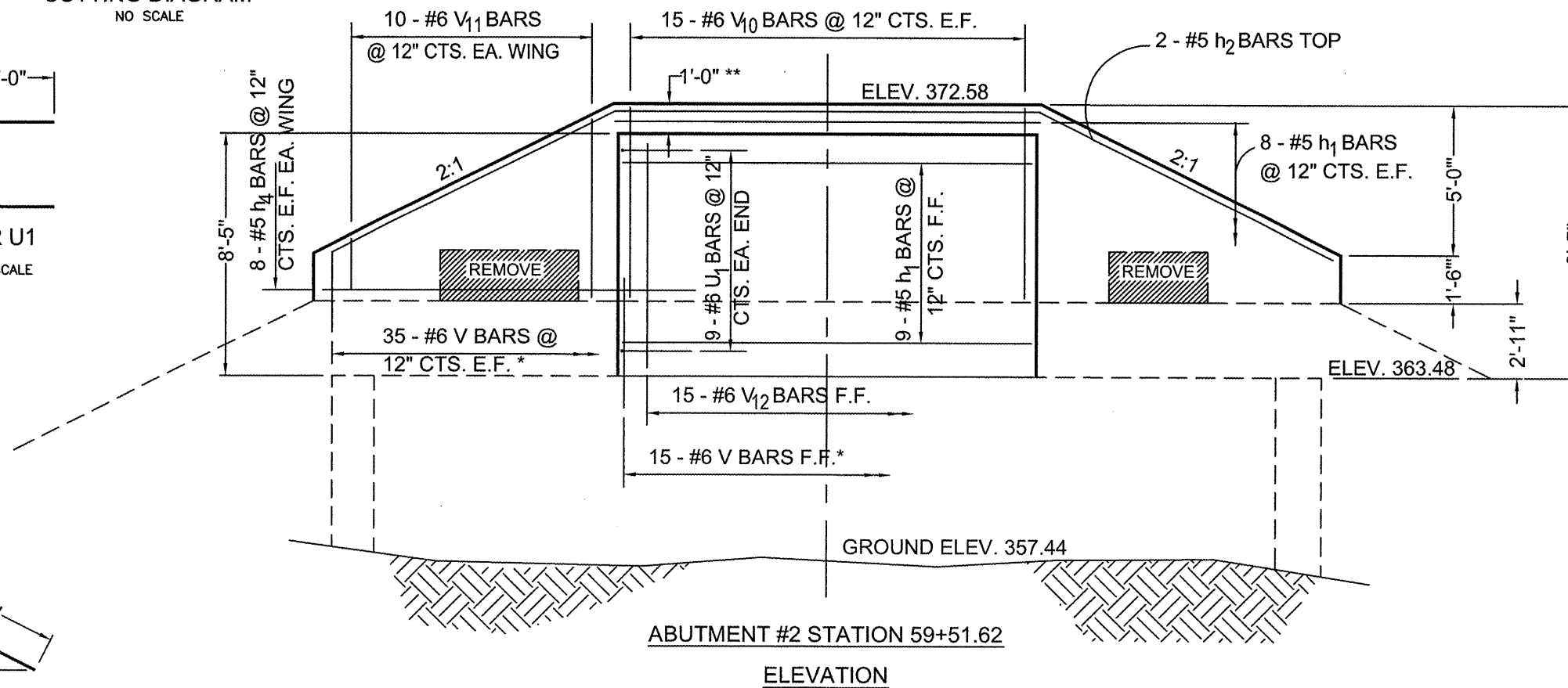
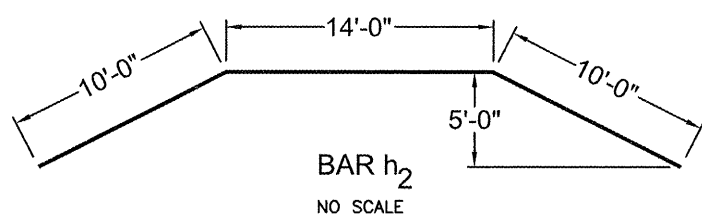
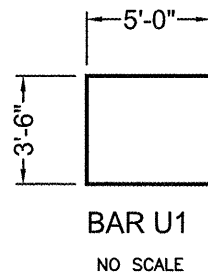
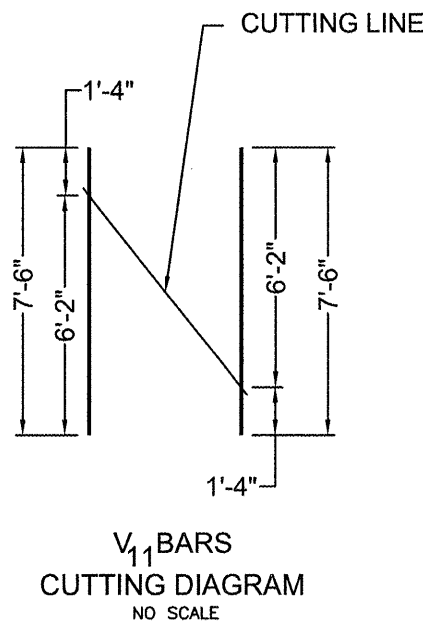
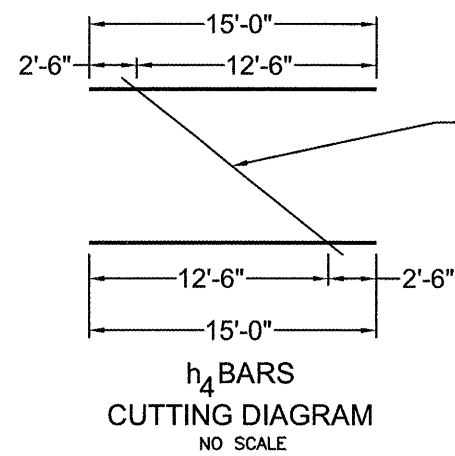
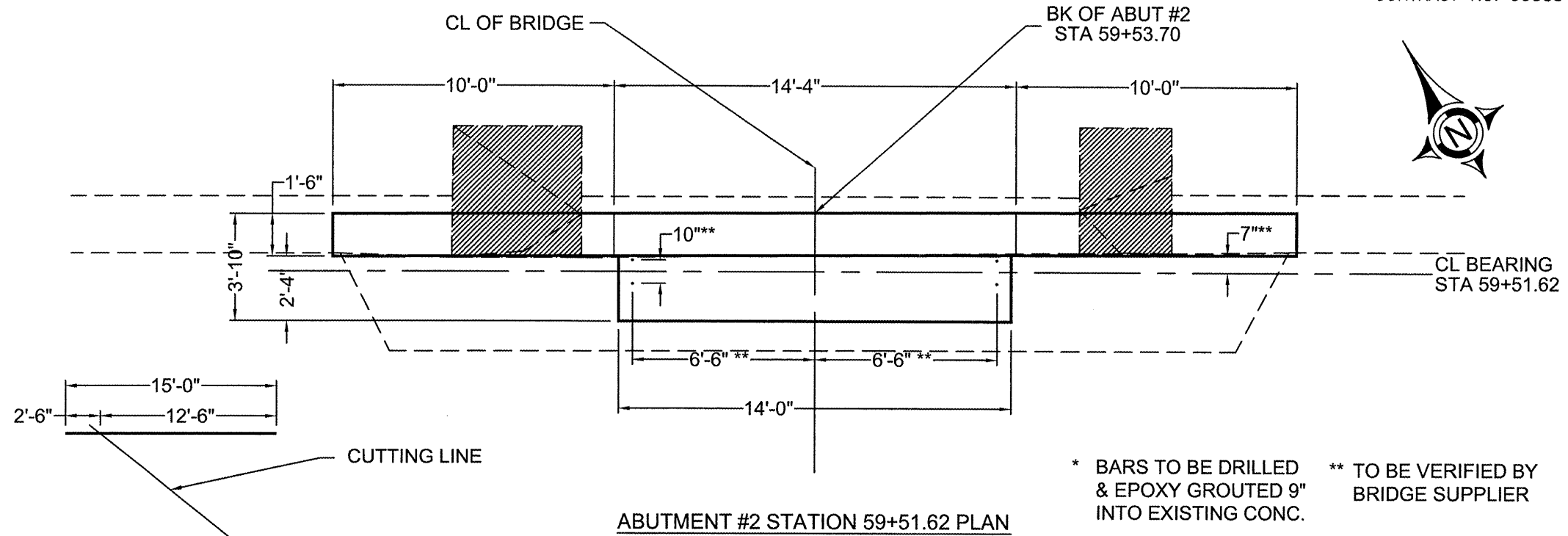


**BILL OF MATERIAL
FOR ABUTMENT #2**

Bar	No.	Size	Length	Shape
h1	25	#5	13'-8"	—
h2	2	#5	34'-0"	—
h4	16	#5	15'-0"	—
u1	18	#6	13'-6"	□
v	85	#6	3'-9"	—
v10	30	#6	9'-2"	—
v11	20	#6	7'-6"	—
v12	15	#6	8'-2"	—
Concrete Removal			2.2 Cu. Yds.	
Concrete Structures			19.6 Cu. Yds.	
Reinforcement Bars			2340 Lbs.	



BROWN AND ROBERTS, INC.
CONSULTING ENGINEERS & LAND SURVEYORS
1 WEST RIDGE ROAD HARRISBURG, IL 62946 (618) 252-8111



SECTION 06-00082-00-BT
ABUTMENT #2 DETAILS
STATION 59+51.62

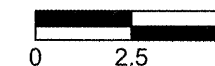
Drawn By: GSS
Checked By: MWR

Revisions
Item Date By

Scale: AS SHOWN
Job Number: 05-138
Date: 12/08

Sheet

108



12 Nov 2009 - 8:03pm - R:\2009\05138\108\HARRISBURG_PLAN\ABUTMENT #2 STA 59+51.62