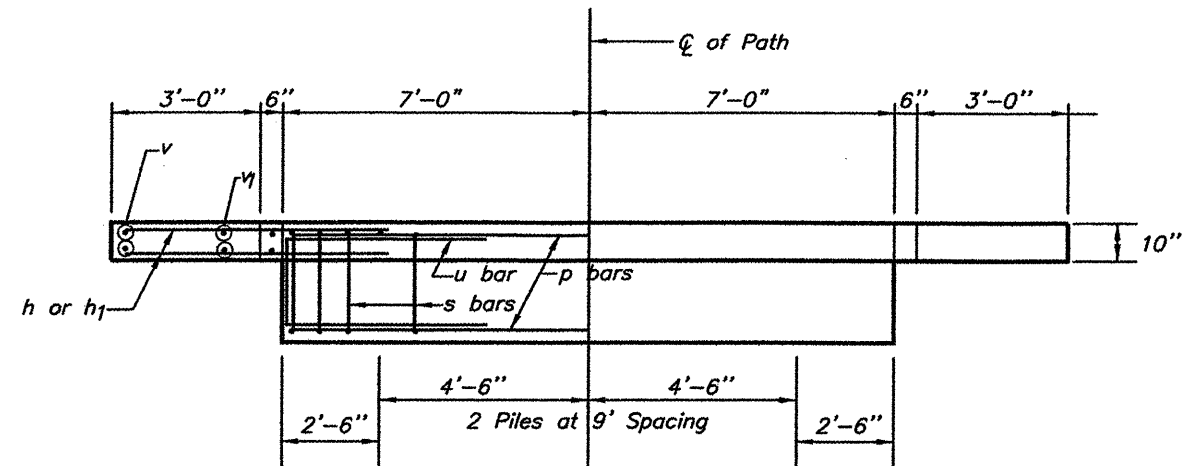
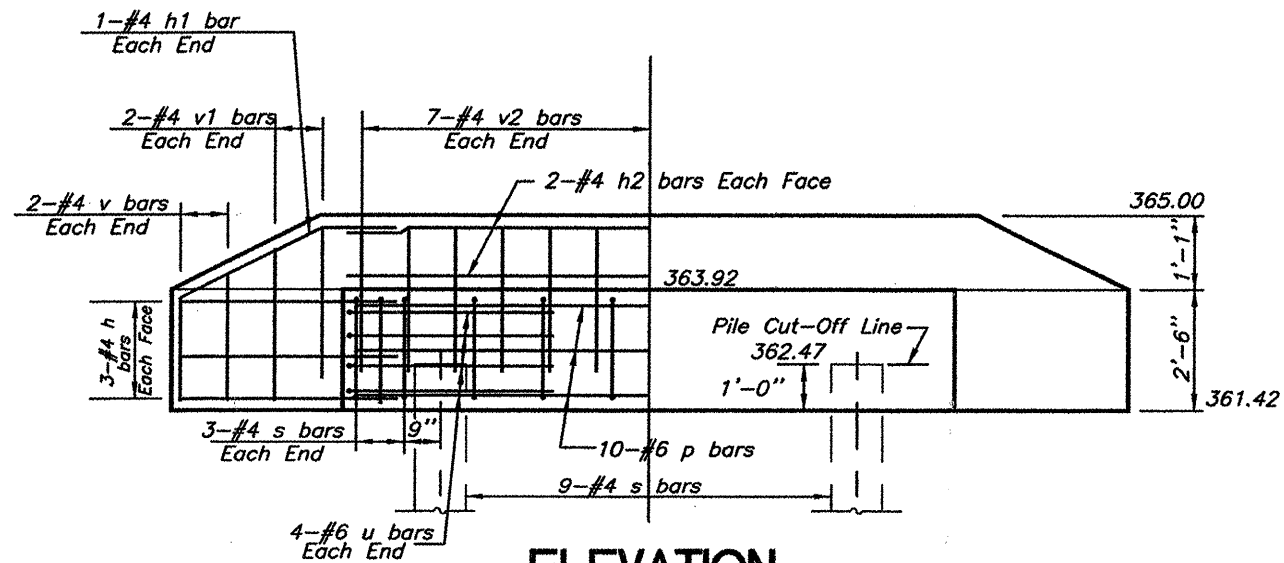


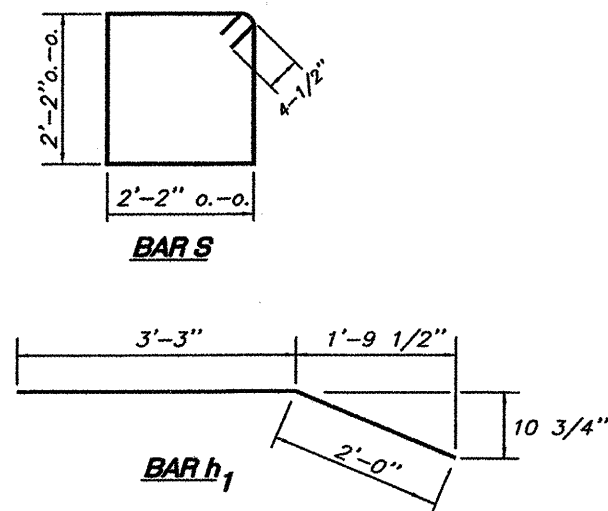
ROUTE	SECTION	COUNTY	TOTAL SHEETS	SHEET NO.
	06-00082-00-BT	SALINE	115	110
HARRISBURG TO ELDORADO BIKE TRAIL				
PROJ. NO.	TE-00D9(94)	CONTRACT NO.	99383	



**PLAN**



**ELEVATION**



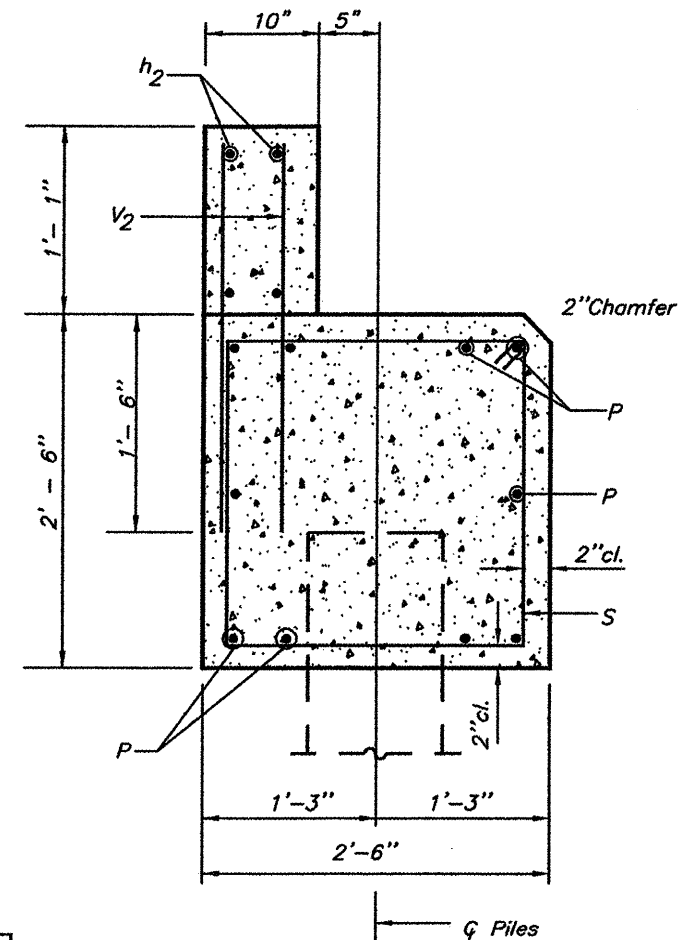
Dimension to be verified with Bridge Manufacturer

**PILE DATA (2-ABUTMENTS)**

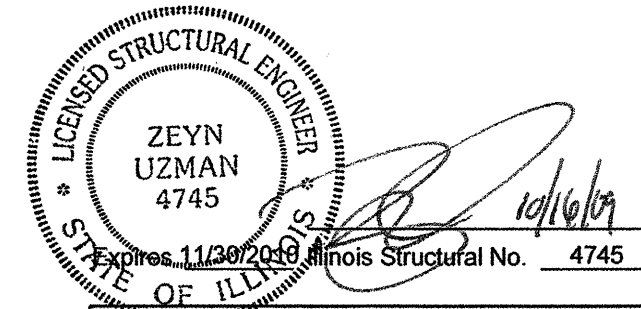
Type: HP 10X42  
 Estimated Length: 60 Feet  
 Number Required: 4  
 Nominal Required Bearing: 333 kips  
 Allowable Resistance Available: 111 kips

**BILL OF MATERIAL FOR ONE ABUTMENT**

Bar	No.	Size	Length	Shape
h	12	4	5'-0"	—
h1	4	4	5'-3"	—
h2	4	4	13'-8"	—
P	10	6	13'-8"	—
s	15	4	9'-5"	□
u	8	6	11'-1"	—
v	8	4	2'-6"	—
v1	8	4	2'-9"	—
v2	28	4	2'-5"	—
<b>Concrete Structures</b>			<b>4.4 Cu. Yds.</b>	
<b>Reinforcement Bars</b>			<b>600 Lbs.</b>	



**SECTION THRU ABUTMENT**



**ABUTMENT DETAIL SHEET**  
**PEDESTRIAN BRIDGE OVER UNNAMED CREEK**  
 SECTION 06-00082-00-BT  
 CITY OF HARRISBURG  
 PEDESTRIAN BRIDGE #2  
 STATION 128+18