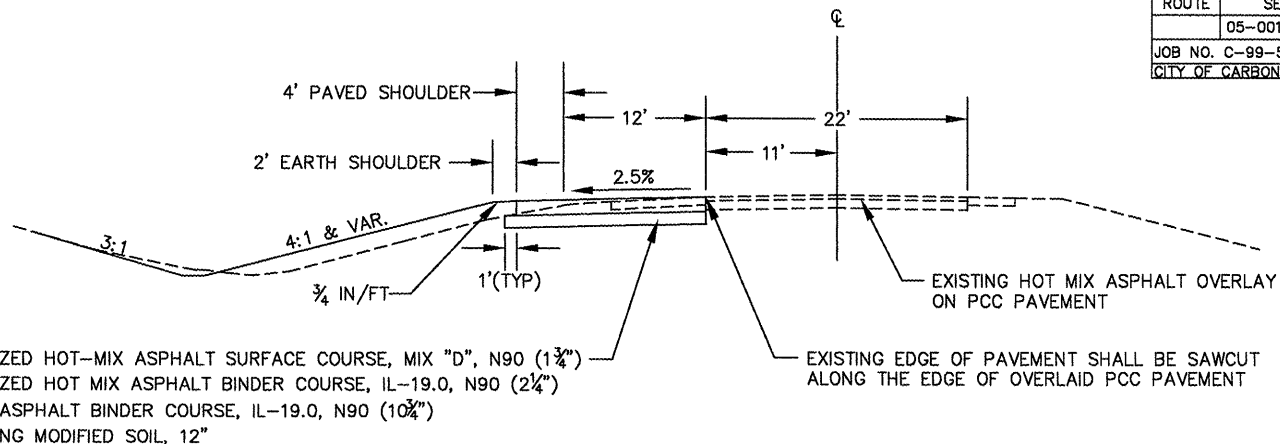


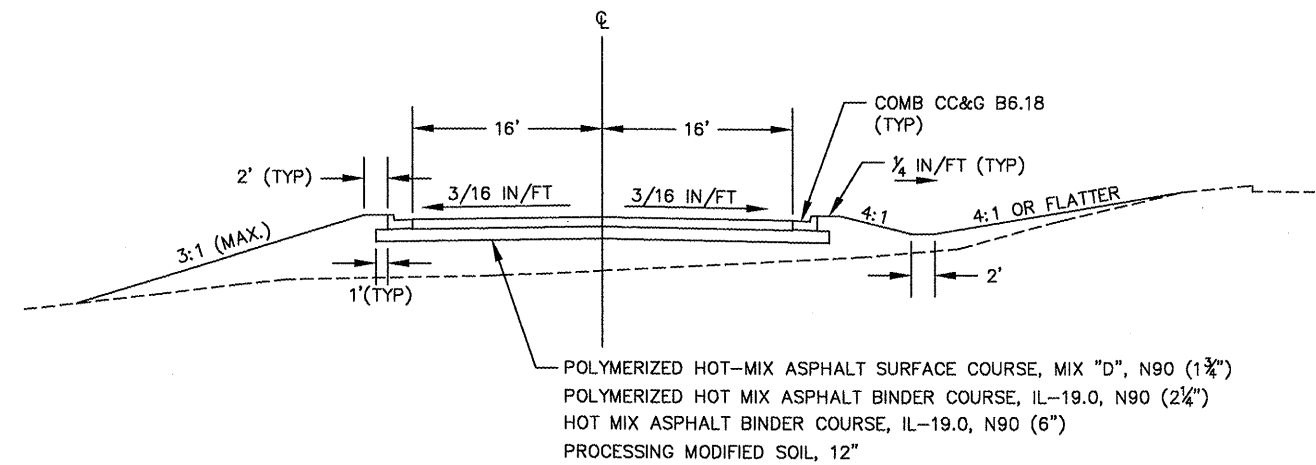
SUMMARY OF QUANTITIES

CODED PAY ITEM NUMBER	DESCRIPTION OF ITEM	QUANTITY	UNIT
20100110	TREE REMOVAL (6 TO 15 UNITS DIAMETER)	31	UNIT
20100210	TREE REMOVAL (OVER 15 INCH DIAMETER)	86	UNIT
20100500	TREE REMOVAL, ACRES	0.56	ACRE
20200410	EARTH EXCAVATION (SPECIAL)	2,341	CU YD
20400100	BORROW EXCAVATION	16,608	CU YD
20800150	TRENCH BACKFILL	305	CU YD
25001000	SEEDING, CLASS 2 (SPECIAL)	3.7	ACRE
28000305	TEMPORARY DITCH CHECKS	158	FOOT
28000400	PERIMETER EROSION BARRIER	1,623	FOOT
28000500	INLET AND PIPE PROTECTION	3	EACH
28100807	STONE DUMPED RIPRAP, CLASS A4	507	TON
30200650	PROCESSING MODIFIED SOIL 12"	7,272	SQ YD
30201500	LIME	145	TON
40603090	HOT-MIX ASPHALT BINDER COURSE, IL-19.0, N90	3,140	TON
40603240	POLYMERIZED HOT-MIX ASPHALT BINDER COURSE, IL-19.0, N90	802	TON
40603545	POLYMERIZED HOT-MIX ASPHALT SURFACE COURSE, MIX "D", N90	625	TON
42300200	PORTLAND CEMENT CONCRETE DRIVEWAY PAVEMENT, 6 INCH	47	SQ YD
42400100	PORTLAND CEMENT CONCRETE SIDEWALK 4 INCH	3,672	SQ FT
42400800	DETECTABLE WARNINGS	34	SQ FT
44000500	COMBINATION CURB & GUTTER REMOVAL	241	FOOT
44000600	SIDEWALK REMOVAL	257	SQ FT
54001001	BOX CULVERT END SECTION, CULVERT NO. 1	1	EACH
54001002	BOX CULVERT END SECTION, CULVERT NO. 2	1	EACH
54010403	PRECAST CONCRETE BOX CULVERT 4' X 3'	18	FOOT
54010503	PRECAST CONCRETE BOX CULVERT 5' X 3'	180	FOOT
542A0265	PIPE CULVERTS, CLASS A, TYPE 1 60"	156	FOOT
54213663	PRECAST REINFORCED CONCRETE FLARED END SECTIONS 18"	1	EACH
54213681	PRECAST REINFORCED CONCRETE FLARED END SECTIONS 36"	1	EACH
54213705	PRECAST REINFORCED CONCRETE FLARED END SECTIONS 60"	2	EACH
54247210	GRATING FOR CONCRETE FLARED END SECTION 60"	1	EACH
550A0050	STORM SEWERS, CLASS A, TYPE 1 12"	298	FOOT
550A0070	STORM SEWERS, CLASS A, TYPE 1, 15"	19	FOOT
550A0090	STORM SEWERS, CLASS A, TYPE 1, 18"	286	FOOT
550A0120	STORM SEWERS, CLASS A, TYPE 1, 24"	23	FOOT
550A0340	STORM SEWERS, CLASS A, TYPE 2 12"	36	FOOT
550A0750	STORM SEWERS, CLASS A, TYPE 3, 36"	124	FOOT
550B0030	STORM SEWERS, CLASS B, TYPE 1 8"	20	FOOT
55100900	STORM SEWER REMOVAL 18"	51	FOOT
60218400	MANHOLES, TYPE A, 4'-DIAMETER, TYPE 1 FRAME, CLOSED LID	1	EACH
60221100	MANHOLES, TYPE A, 5'-DIAMETER, TYPE 1 FRAME, CLOSED LID	1	EACH
60234200	INLETS, TYPE A, TYPE 1 FRAME, OPEN LID	1	EACH
60242900	INLETS, SPECIAL, TYPE 1	1	EACH
60243300	INLETS, SPECIAL, TYPE 3, 5'	1	EACH
60243500	INLETS, SPECIAL, TYPE 3, 6'	8	EACH
60262800	INLETS TO BE RECONSTRUCTED (SPECIAL)	1	EACH
60500060	REMOVING INLETS	1	EACH
60603800	COMBINATION CONCRETE CURB AND GUTTER, TYPE B-6.12	842	FOOT
60604400	COMBINATION CONCRETE CURB AND GUTTER, TYPE B-6.18	715	FOOT
60608600	COMBINATION CONCRETE CURB AND GUTTER, TYPE M-6.06	137	FOOT
60610400	COMBINATION CONCRETE CURB AND GUTTER, TYPE M-6.24	106	FOOT
67100100	MOBILIZATION	1	L SUM
70101700	TRAFFIC CONTROL AND PROTECTION	1	L SUM
72000100	SIGN PANEL - TYPE 1	64	SQ FT
72000200	SIGN PANEL - TYPE 2	16	SQ FT
73000100	WOOD SIGN SUPPORT	159	FOOT
*78000100	THERMOPLASTIC PAVEMENT MARKING - LETTERS AND SYMBOLS	59	SQ FT
*78000200	THERMOPLASTIC PAVEMENT MARKING - LINE 4"	3,519	FOOT
*78000400	THERMOPLASTIC PAVEMENT MARKING - LINE 6"	182	FOOT
*78000500	THERMOPLASTIC PAVEMENT MARKING - LINE 8"	817	FOOT
*78000600	THERMOPLASTIC PAVEMENT MARKING - LINE 12"	514	FOOT
*78000650	THERMOPLASTIC PAVEMENT MARKING - LINE 24"	28	FOOT
*78200300	PRISMATIC CURB REFLECTOR	25	EACH
78300105	PAVEMENT MARKING REMOVAL	1,754	FOOT
Z0013798	CONSTRUCTION LAYOUT	1	L SUM
X0325702	NIGHTTIME WORK ZONE LIGHTING	1	L SUM

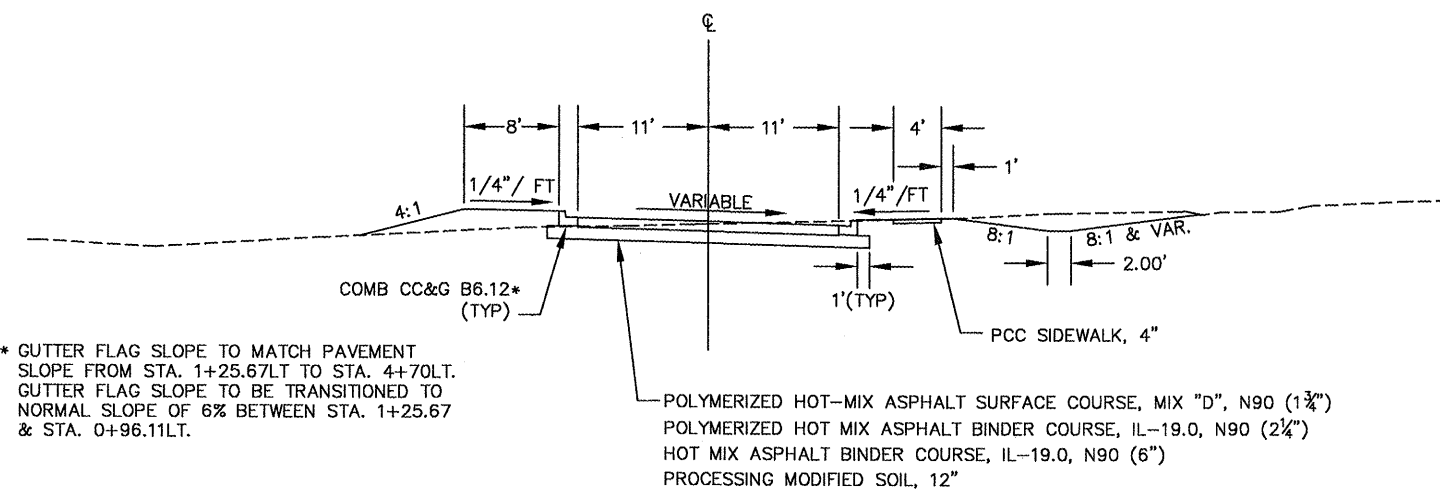
ROUTE	SECTION	COUNTY	TOTAL SHEETS	SHEET NO.
05-00118-00-RP	JACKSON	32	2	
JOB NO. C-99-515-06 FED PROJ: HPP-0321(117)				
CITY OF CARBONDALE				



TYPICAL SECTION - WESTBOUND ILLINOIS ROUTE 13



TYPICAL SECTION - ACCESS ROAD
STA 1+10 TO STA 4+65



* GUTTER FLAG SLOPE TO MATCH PAVEMENT SLOPE FROM STA. 1+25.67LT TO STA. 4+70LT. GUTTER FLAG SLOPE TO BE TRANSITIONED TO NORMAL SLOPE OF 6% BETWEEN STA. 1+25.67 & STA. 0+96.11LT.

TYPICAL SECTION - REED STATION PARKWAY

PROJECT NAME: ST0305
PAPERSPACE PLOT: N/A
PS VIEW: N/A
SNAPSHOT: PLOT ALL 0.2
FILE: T:\ST0305\Drawings\QTY\SUMMING
PLOT SCALE: 1:10
LINETYPE SCALE: 10
DRAWN BY: RP

* SPECIALTY ITEMS