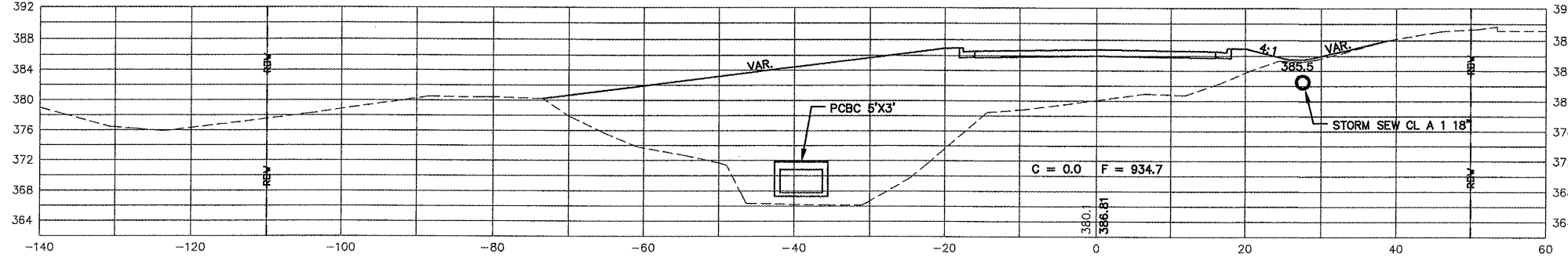
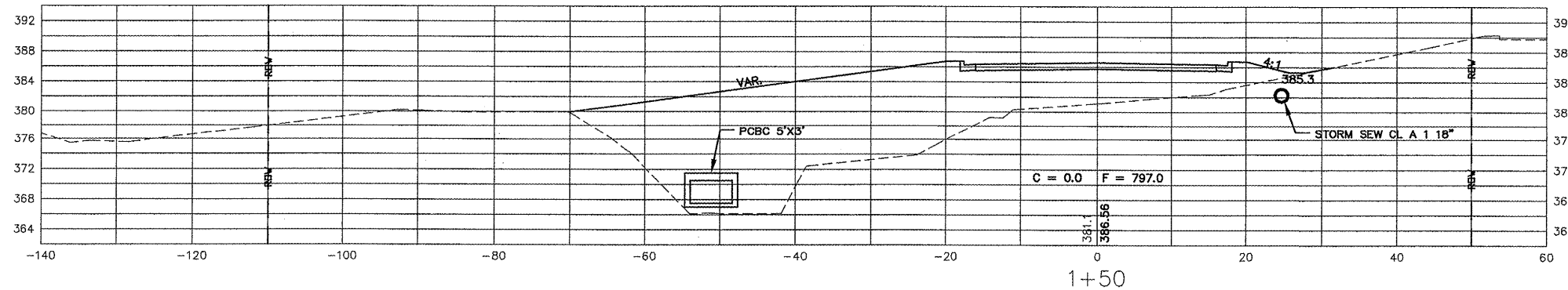
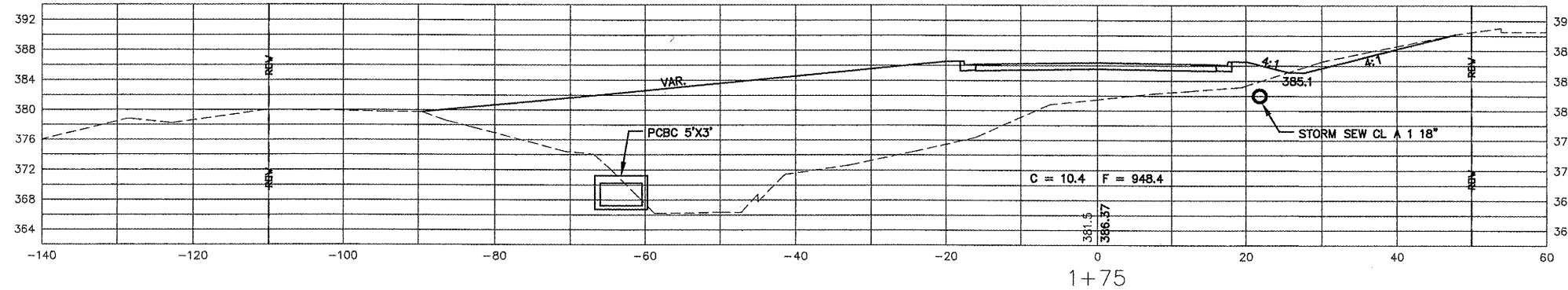
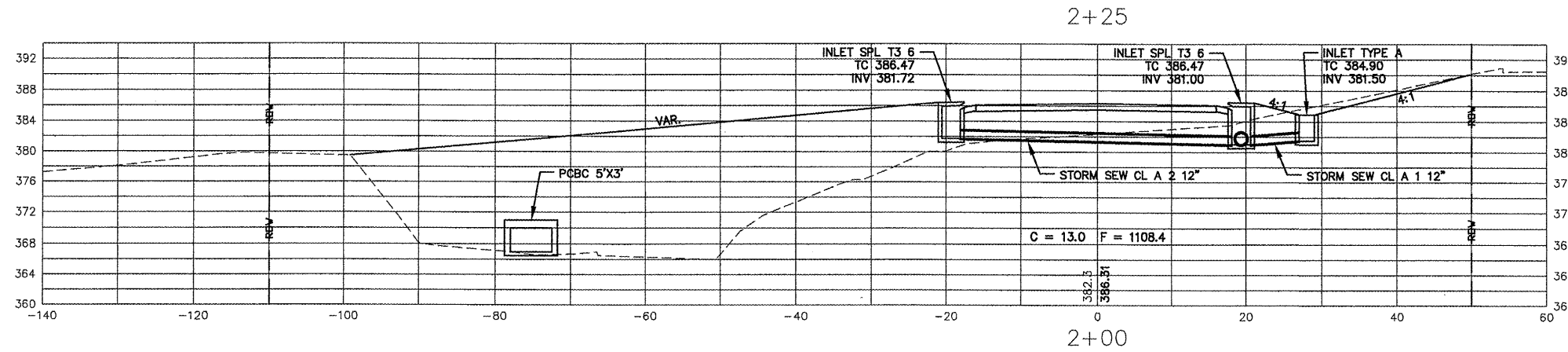


ROUTE	SECTION	COUNTY	TOTAL SHEETS	SHEET NO.
	05-00118-00-RP	JACKSON	22	28
JOB NO. C-99-515-06 FED PROJ: HPP-0321(117)				
CITY OF CARBONDALE				



CROSS SECTIONS
ACCESS ROAD
STA 1+50 TO STA 2+25