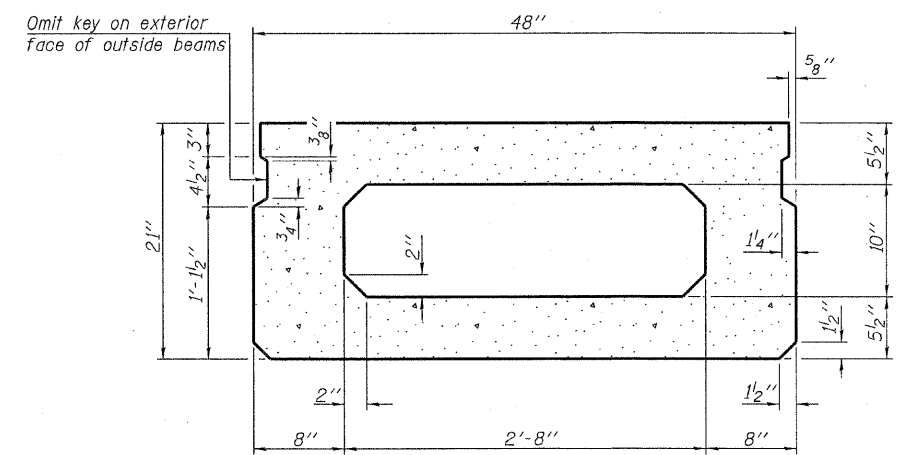
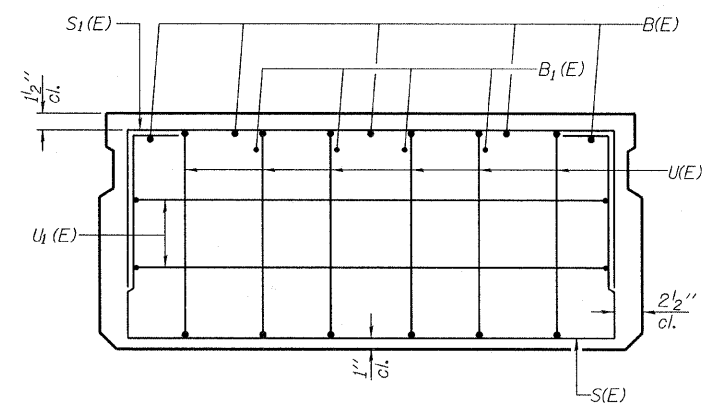


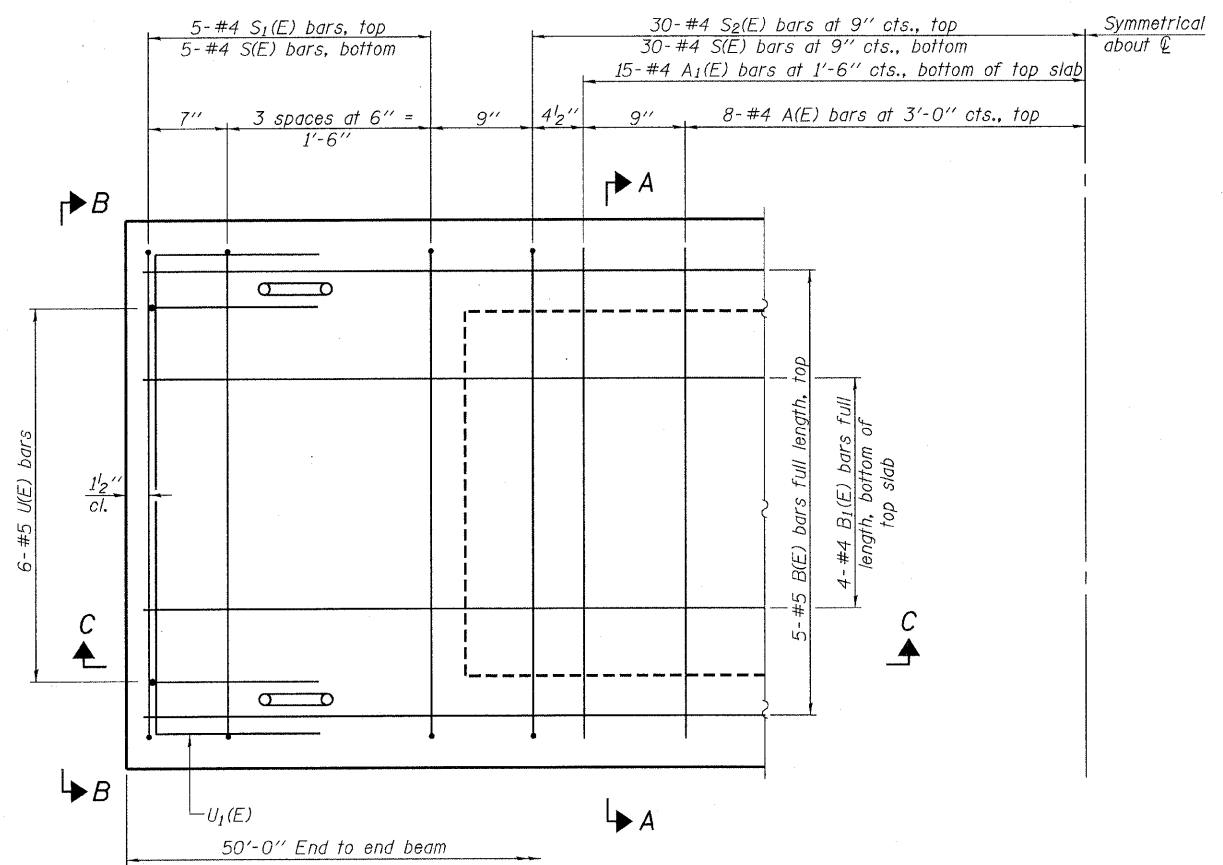
SECTION C-C



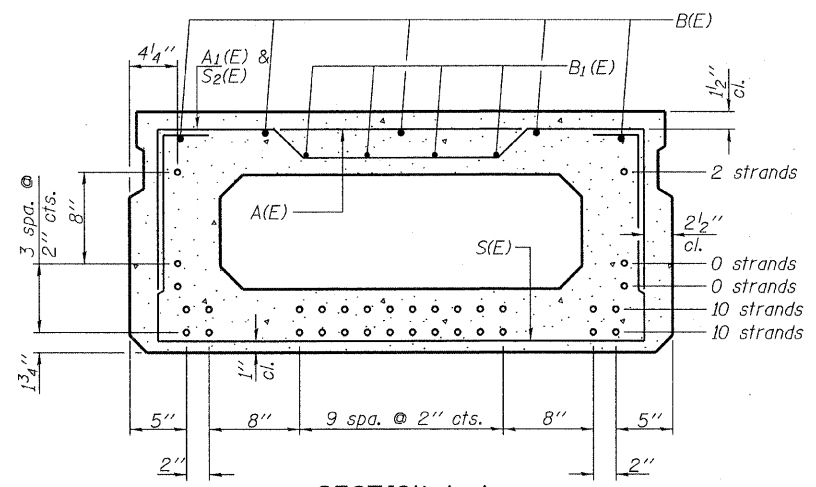
SECTION A-A  
(Showing dimensions)



VIEW B-B



PLAN VIEW



SECTION A-A  
(Showing reinforcement and permissible strand locations)  
Note: Place the number of strands specified in each row symmetrically about the centerline of beam in the permissible strand locations shown.

BAR LIST  
ONE BEAM ONLY  
(For Information Only)

Bar	No.	Size	Length	Shape
A(E)	16	#4	3'-7"	—
A1(E)	30	#4	3'-10"	—
B(E)	5	#5	49'-8"	—
B1(E)	4	#4	49'-8"	—
S(E)	70	#4	7'-5"	□
S1(E)	10	#4	5'-11"	□
S2(E)	60	#4	6'-2"	□
U(E)	12	#5	4'-0"	□
U1(E)	4	#4	6'-0"	□

Note: See sheet 3 & 4 of 9 for additional details and Bill of Material.

Note: Spacing of S(E) and S2(E) bars may be adjusted up to 4" in the immediate area of the transverse tie diaphragms to miss the block outs for the transverse ties.

DESIGNED - A.S.L.
CHECKED - S.W.M.
DRAWN - D.A.B.
CHECKED - D.T.M.

PD-2148-0 10-1-08

**SUPERSTRUCTURE**  
**21" x 48" PPC DECK BEAM**  
**STRUCTURE NO. 097-3267**

<b>HAMPTON, LENZINI &amp; RENWICK, INC.</b> CIVIL & STRUCTURAL ENGINEERS LAND SURVEYORS 3085 STEVENSON DRIVE, SUITE 201 SPRINGFIELD, ILLINOIS 62703 (217) 546-3400 PROJECT NUMBER: 09.0074.130 DATE: 07/08/09	SHEET NO. 2	FAS	SECTION	COUNTY	TOTAL SHEETS	SHEET NO.
	9 SHEETS	890	08-07120-00-BR	WHITE	12	5
			HERALDS PRAIRIE ROAD DISTRICT	CONTRACT NO. 99408		
			FED. ROAD DIST. NO.	ILLINOIS FED. AID PROJECT BROS-0193(042)		