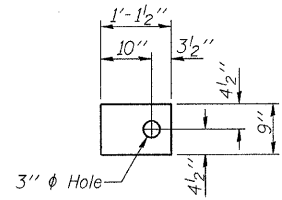


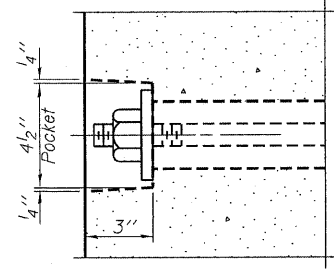
FABRIC BEARING PAD
(Interior - 10 Req'd.)



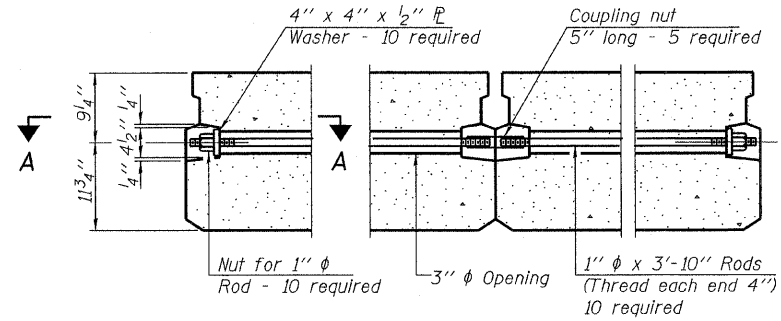
FABRIC BEARING PAD
(Exterior - 4 Req'd.)

FIXED

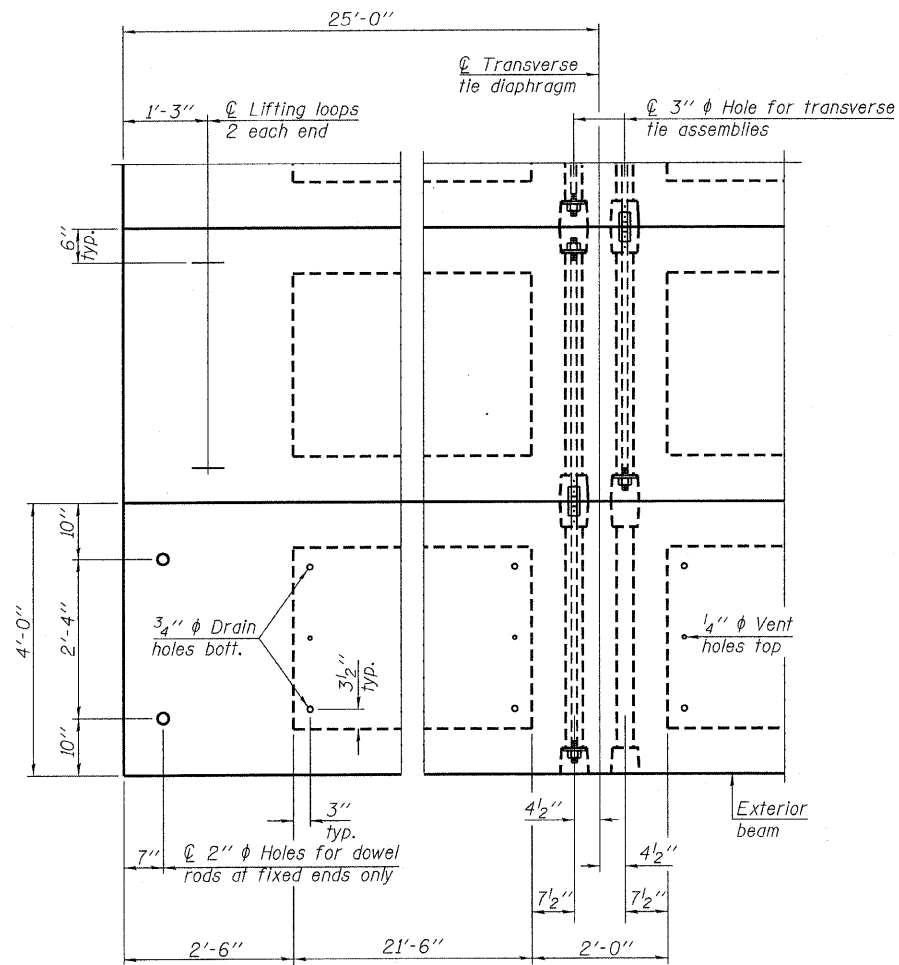
Note: Omit holes when using expansion bearings.



SECTION A-A



TYPICAL TRANSVERSE TIE ASSEMBLY



PLAN VIEW

Note: Connect beams in pairs with the transverse tie configuration shown.

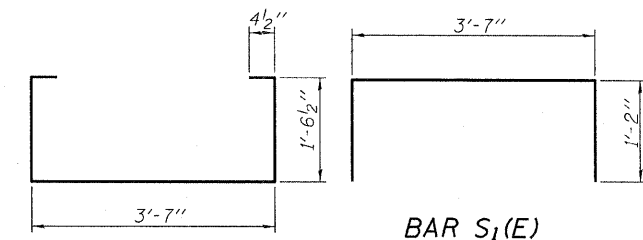
NOTES

- Prestressing steel shall be uncoated high strength, low relaxation 7-wire strand, Grade 270. The nominal diameter shall be 1/2 inch and the nominal cross-sectional area shall be 0.153 sq. in.
- The 1 inch rods in the transverse tie assembly shall be tightened to a snug fit and the threads set. Pockets on exterior faces of bridge shall be filled with grout after transverse tie assembly is in place.
- Reinforcement bars shall conform to ASTM A 706, Grade 60. (See Special Provisions).
- Two 1/8 inch fabric adjusting shims of the dimensions of the exterior bearing pad shall be provided for each bearing pad location.
- A minimum 2 1/2 inch diameter lifting pin shall be used to engage the lifting loops during handling.
- Corrosion Inhibitor, per Article 1020.05(b)(12) and 1021.06 of the Standard Specifications, shall be used in the concrete for precast prestressed concrete deck beams.
- Compressive strength of prestressed concrete, f'c, shall be 6000 psi.
- Compressive strength of prestressed concrete at release, f'ci, shall be 5000 psi.

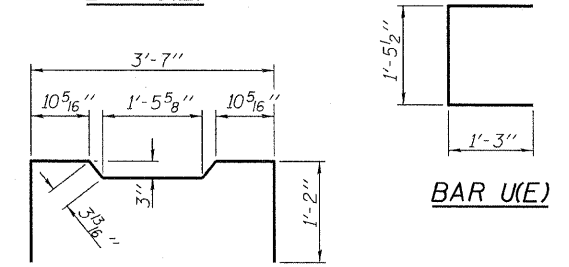
DESIGNED -	A.S.L.
CHECKED -	S.W.M.
DRAWN -	D.A.B.
CHECKED -	D.T.M.

PD-2148-0D

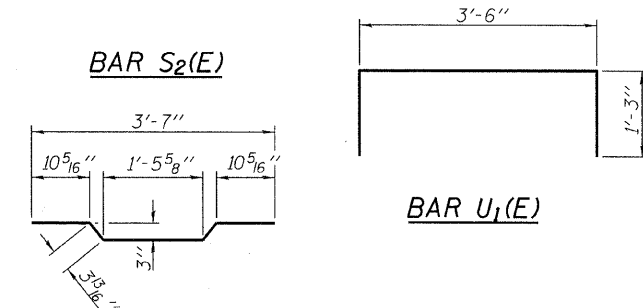
10-1-08



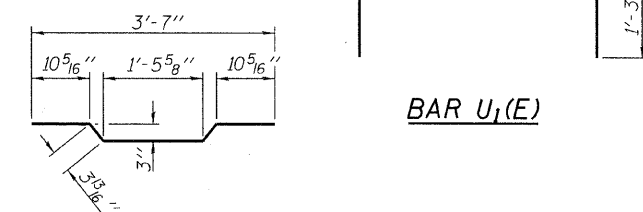
BAR S(E)



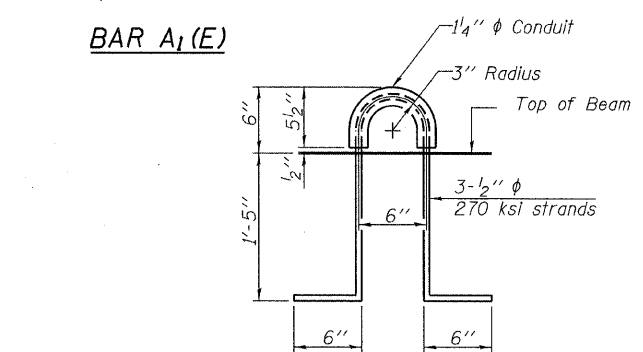
BAR U(E)



BAR S2(E)



BAR U1(E)



LIFTING LOOP DETAIL

BILL OF MATERIAL

Precast Prestressed Conc. Deck Bms. (21' depth)	Sq. Ft.	1,200
---	---------	-------

SUPERSTRUCTURE DETAILS
21' x 48' PPC DECK BEAM DETAILS
STRUCTURE NO. 097-3267

HAMPTON, LENZINI & RENWICK, INC. CIVIL & STRUCTURAL ENGINEERS LAND SURVEYORS HLR 3085 STEVENSON DRIVE, SUITE 201 SPRINGFIELD, ILLINOIS 62703 (217) 546-3400 PROJECT NUMBER: 09.0074.130 DATE: 07/08/09	SHEET NO. 3	FAS	SECTION	COUNTY	TOTAL SHEETS	SHEET NO.
	9 SHEETS	890	08-07120-00-BR	WHITE	12	6
		HERALDS PRAIRIE ROAD DISTRICT		CONTRACT NO. 99408		
		FED. ROAD DIST. NO.	ILLINOIS FED. AID PROJECT BROS-0193(042)			