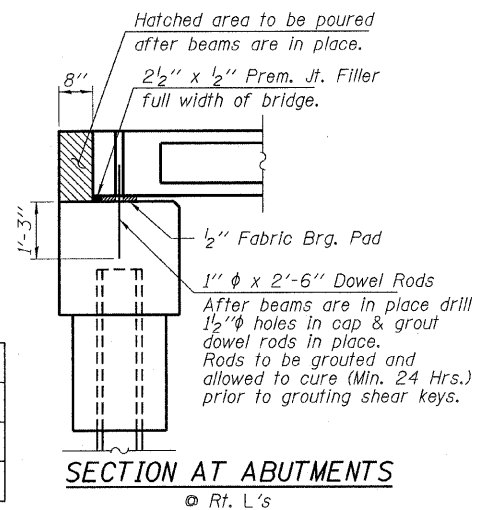
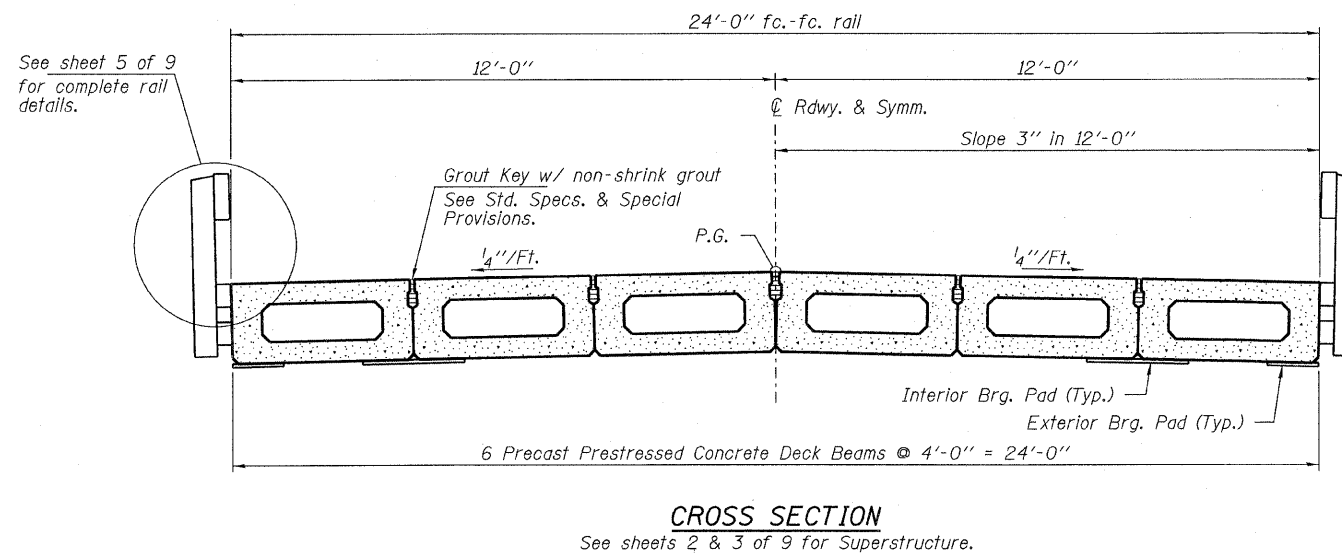


**DETAIL A**



DESIGNED - A.S.L.
CHECKED - S.W.M.
DRAWN - D.A.B.
CHECKED - D.T.M.

**SUPERSTRUCTURE DETAILS**  
**STRUCTURE NO. 097-3267**

<b>HAMPTON, LENZINI &amp; RENWICK, INC.</b> CIVIL & STRUCTURAL ENGINEERS LAND SURVEYORS 3085 STEVENSON DRIVE, SUITE 201 SPRINGFIELD, ILLINOIS 62703 (217) 546-3400 PROJECT NUMBER: 09.0074.130      DATE: 07/08/09	SHEET NO. 4	FAS	SECTION	COUNTY	TOTAL SHEETS	SHEET NO.
	9 SHEETS	890	08-07120-00-BR	WHITE	12	7
		HERALDS PRAIRIE ROAD DISTRICT		CONTRACT NO. 99408		
		FED. ROAD DIST. NO.	ILLINOIS FED. AID PROJECT BROS-0193(042)			