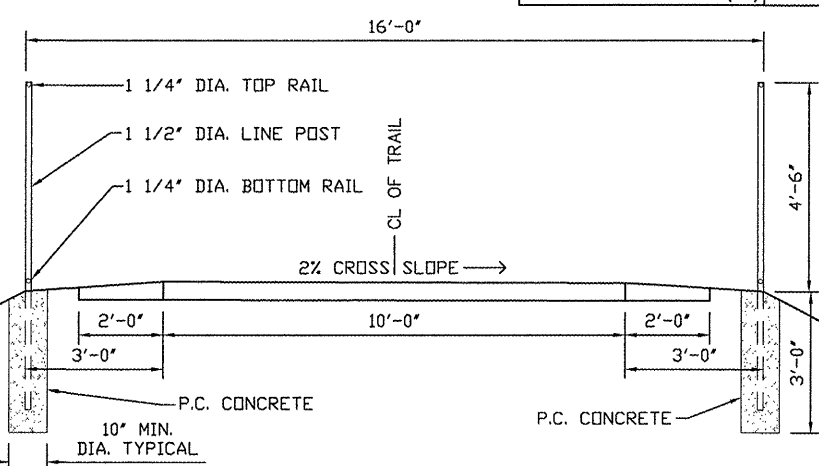
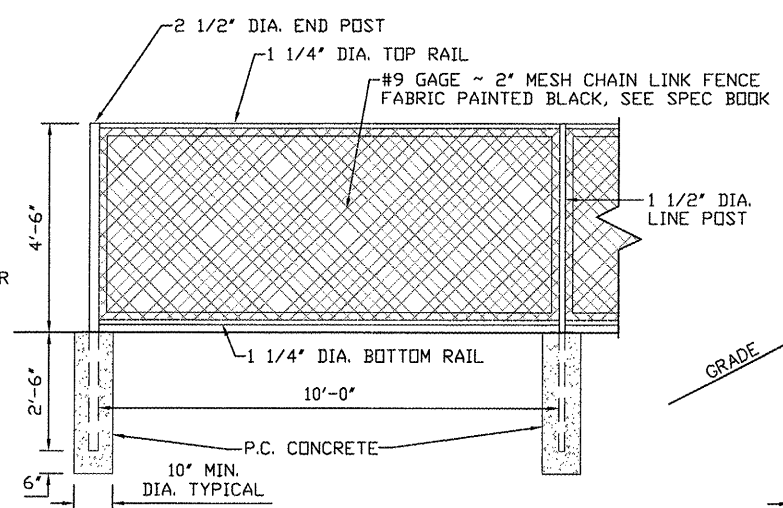
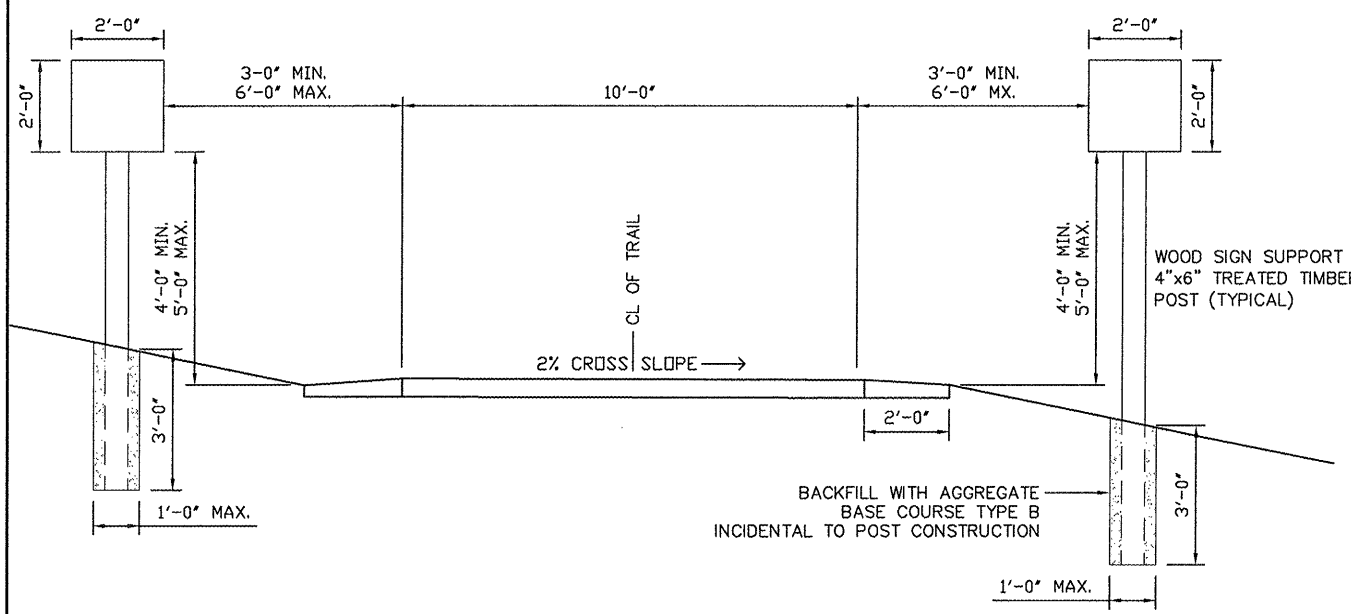


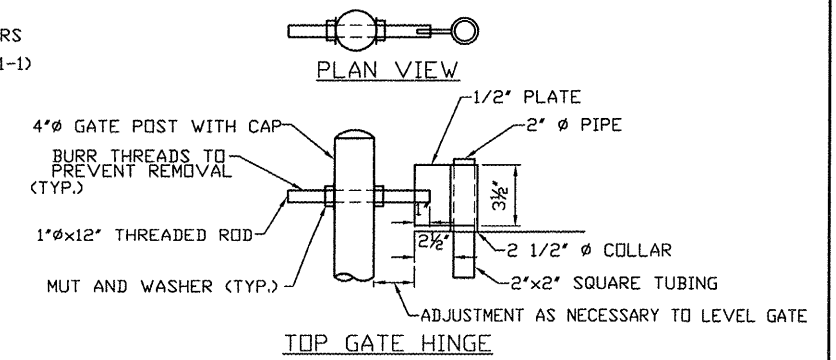
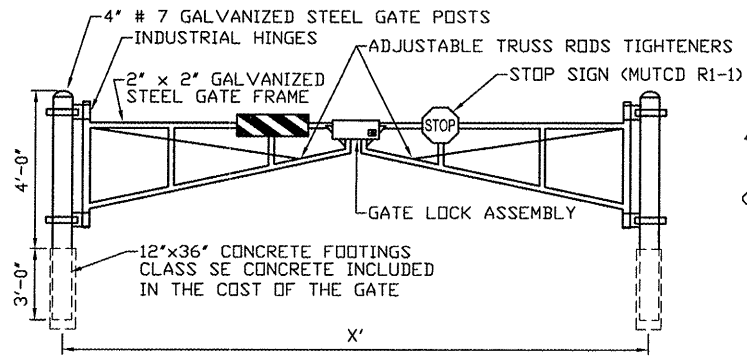
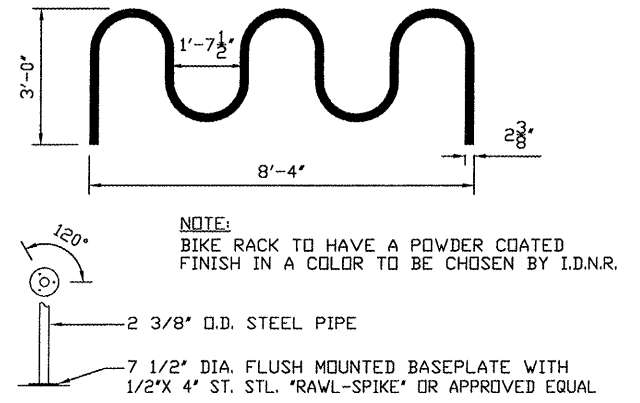
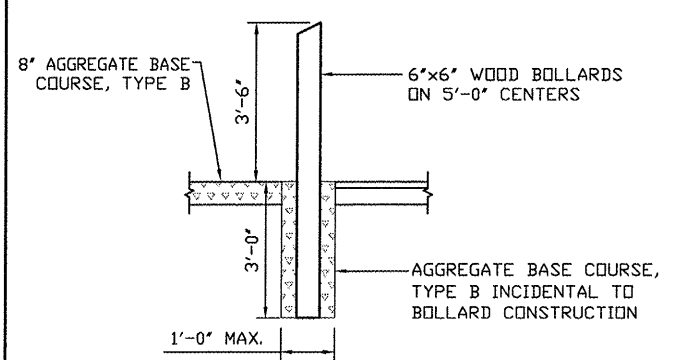
ROUTE	SECTION	COUNTY	TOTAL SHEETS	SHEET NO.
GRCDT09-00038-00-BT		MASSAC	55	28
FROM STA.	TO STA.			
FEDERAL PROJECT NO. ARA-5045(009)			CONTRACT NO. 98417	



- BICYCLE SAFETY FENCING NOTES:**
1. ALL CONCRETE SHALL BE CLASS "S1" PER SECTION 1020.
 2. FITTINGS SHALL BE HEAVY DUTY.
 3. END POSTS SHALL BE 2 1/2" DIA.
 4. ALL POSTS SHALL BE CAPPED.
 5. CONSTRUCTION AND MATERIALS SHALL CONFORM TO SECTIONS 664, 1006.26, 1006.27, AND 1006.28

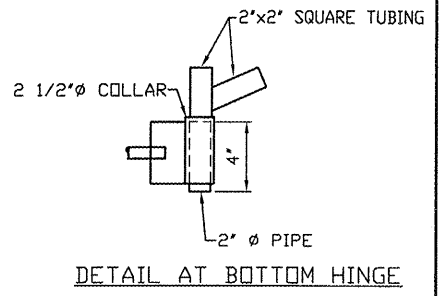
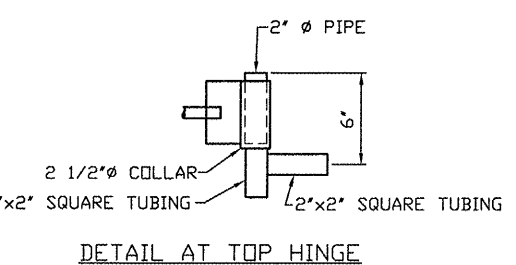
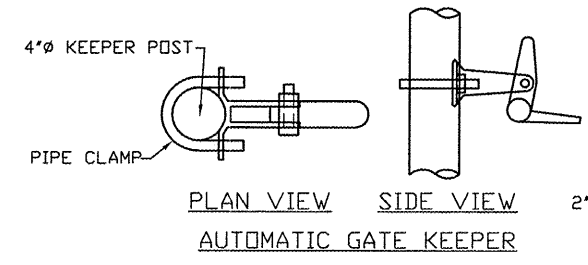
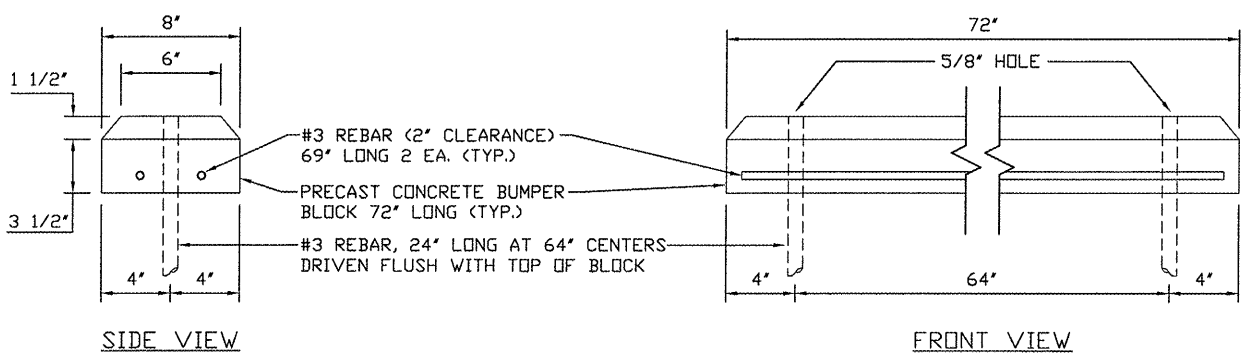
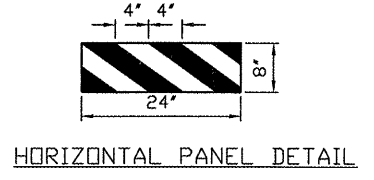
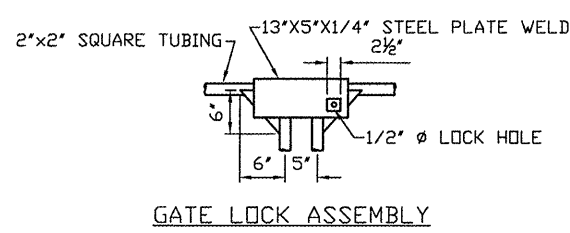
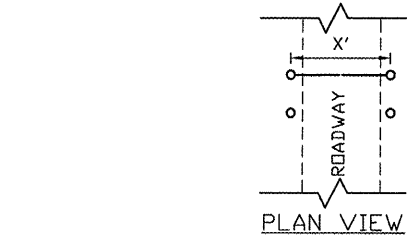
1 DETAIL SIGN PLACEMENT ON TWO-WAY SHARED USE PATH
SCALE: N.T.S.

4 DETAIL CHAINLINK FENCE 4'-0"
SCALE: N.T.S.



2 DETAIL WOOD BOLLARD
SCALE: N.T.S.

3 DETAIL BIKE RACK
SCALE: N.T.S.



- NOTE:**
1. DIMENSIONAL AND REINFORCEMENT CHANGES WILL BE PERMITTED UPON PRIOR WRITTEN APPROVAL OF THE ENGINEER.
 2. UNLESS OTHERWISE NOTED, CONCRETE SHALL BE PER THE STANDARD SPECIFICATIONS.

5 DETAIL- PRECAST CONC. BUMPER BLOCK
SCALE: N.T.S.

6 DETAIL PIPE GATE
SCALE: N.T.S.