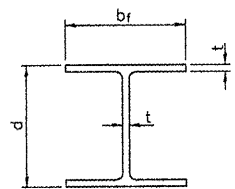
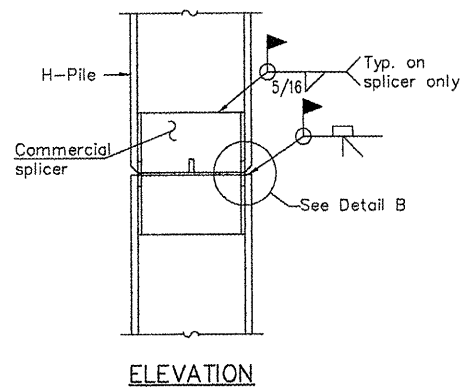


ROUTE	SECTION	COUNTY	TOTAL SHEETS	SHEET NO.
GRCDT	09-00038-00-BT	MASSAC	55	37
Details				
FEDERAL PROJECT NO. ARA-5045(009)			CONTRACT NO. 99417	

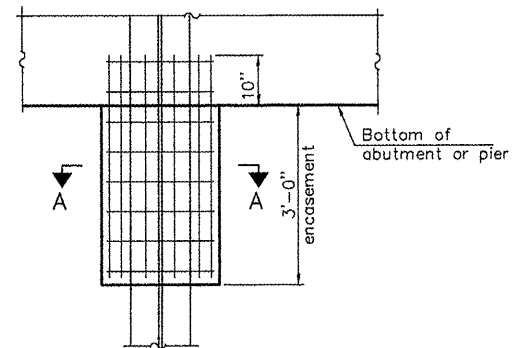


STEEL PILE TABLE

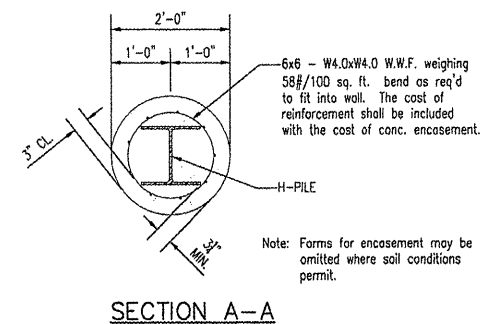
Designation	Depth d	Flange width bf	Web and Flange thickness t	Encasement diameter A
HP 14x117	14-1/4"	14-7/8"	13/16"	30"
x102	14"	14-3/4"	11/16"	30"
x89	13-7/8"	14-3/4"	5/8"	30"
x73	13-5/8"	14-5/8"	1/2"	30"
HP 12x84	12-1/4"	12-1/4"	11/16"	24"
x74	12-1/8"	12-1/4"	5/8"	24"
x63	12"	12-1/8"	1/2"	24"
x53	11-3/4"	12"	7/16"	24"
HP 10x57	10"	10-1/4"	9/16"	24"
x42	9-3/4"	10-1/8"	7/16"	24"
HP 8x36	8"	8-1/8"	7/16"	18"



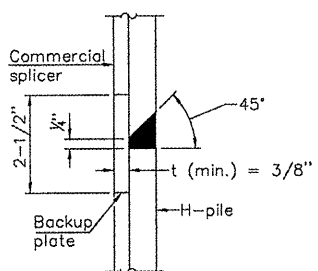
ELEVATION



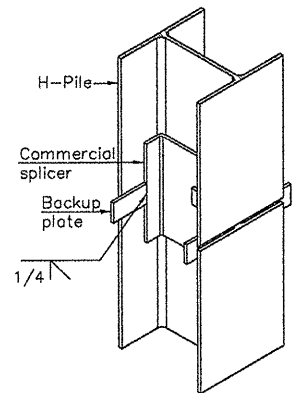
ELEVATION



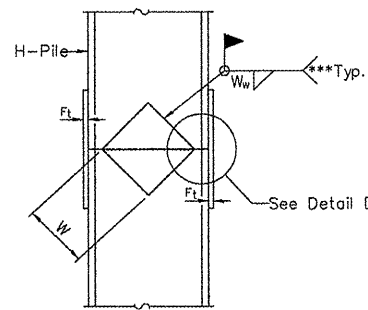
SECTION A-A



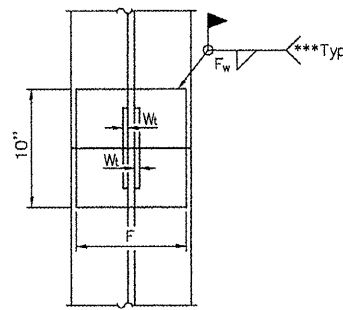
DETAIL "B"



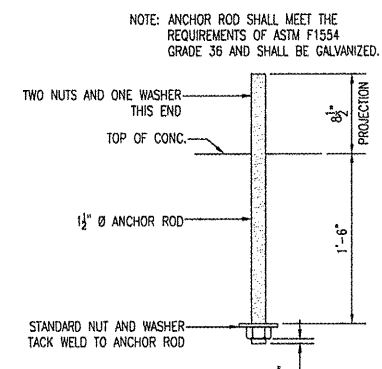
ISOMETRIC VIEW



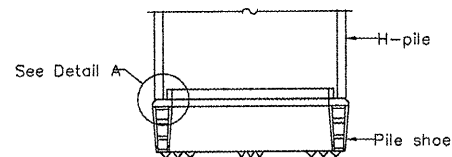
ELEVATION



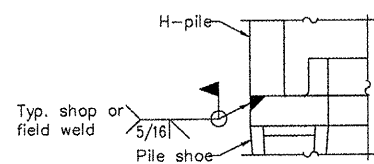
END VIEW



ANCHOR ROD

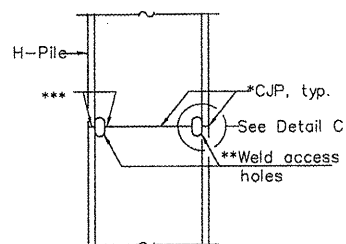


ELEVATION

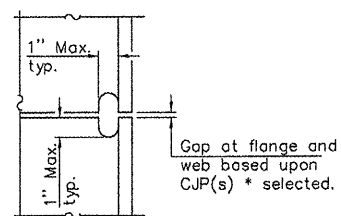


DETAIL A

H-PILE SHOE ATTACHMENT

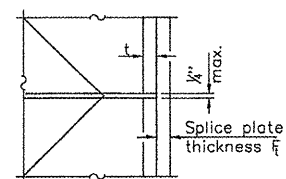


ELEVATION



DETAIL C

COMPLETE PENETRATION WELD SPLICE



DETAIL D

WELDED PLATE FIELD SPLICE

Designation	F	F _t	F _w	W	W _t	W _w
HP 14x117	12-1/2"	1"	7/8"	7-3/4"	5/8"	1/2"
x102	12-1/2"	7/8"	3/4"	7-3/4"	5/8"	1/2"
x89	12-1/2"	3/4"	11/16"	7-3/4"	5/8"	1/2"
x73	12-1/2"	5/8"	9/16"	7-3/4"	5/8"	1/2"
HP 12x84	10"	7/8"	11/16"	6-1/2"	5/8"	1/2"
x74	10"	7/8"	11/16"	6-1/2"	5/8"	1/2"
x63	10"	5/8"	1/2"	6-1/2"	1/2"	3/8"
x53	10"	5/8"	1/2"	6-1/2"	1/2"	3/8"
HP 10x57	8"	3/4"	9/16"	5-1/4"	1/2"	3/8"
x42	8"	5/8"	9/16"	5-1/4"	1/2"	3/8"
HP 8x36	7"	5/8"	7/16"	4-1/4"	1/2"	3/8"

*Use joint conforming to Figure 3.4 in AWS D1.1, Structure Welding Code - Steel.
 **Preparation per Fig. 5.2 in AWS D1.1, Structure Welding Code - Steel.
 ***interrupt welds 1/4" from end of each pile.

Note:
 The steel H-piles shall be according to AASHTO M270 Grade 50.



**GEORGE ROGERS CLARK DISCOVERY TRAIL
 OVER FOURMILE CREEK
 SECTION 09-00038-00-BT
 MASSAC COUNTY
 STATION 1163+57.50
 STRUCTURE NUMBER 064-9918**