

**FOR INFORMATION  
ONLY**

**CONTRACT: 66F12  
FAP 46 (IL-251)  
SECTION (1)I-2  
PROJECT NHPP-8DBB(338)  
COUNTY LASALLE  
JOB C-93-081-18  
STRUCTURE NUMBER 050-8801 & 050-8802**

**PLANS FOR PRECAST LAGGING WALL PANELS**

MANUFACTURER:

**McCANN CONCRETE PRODUCTS, INC.  
8709 STATE ROUTE 159  
DORSEY, IL 62021  
PHONE: 618-377-3888  
FAX: 618-377-7746**

CONTRACTOR:

**RAUSCH INFRASTRUCTURE  
1111 E TOUHY AVE, SUITE 120  
DES PLAINES, IL 60018  
PHONE: 708-667-0165  
FAX: 847-813-9710**

INDEX OF SHEETS	
SHEET NO.	SHEET TITLE
G1-1	COVER SHEET
1-3	LAGGING PANEL DETAILS STR. NO. 050-8801
2-3	LAGGING PANEL DETAILS STR. NO. 050-8802
3-3	VARIABLE HEIGHT LAGGING PANEL DETAILS STR. NO. 050-8802

REVISIONS

COVER PAGE

**RAUSCH INFRASTRUCTURE  
1111 E TOUHY AVE, SUITE 120  
DES PLAINES, IL 60018  
PHONE: 708-667-0165  
FAX: 847-813-9710**

**McCANN CONCRETE PRODUCTS, INC.**  
Precasting To Meet Your Needs

**8709 STATE ROUTE 159  
DORSEY, IL 62021  
PHONE: 618-377-3888  
FAX: 618-377-7746**



DESIGNED BY JOB NO.

DRAWN BY  
R.W.G.

CHECKED BY

DATE  
04/08/19

**G1-1**

# FOR INFORMATION ONLY

PRODUCTION CODE: 5045

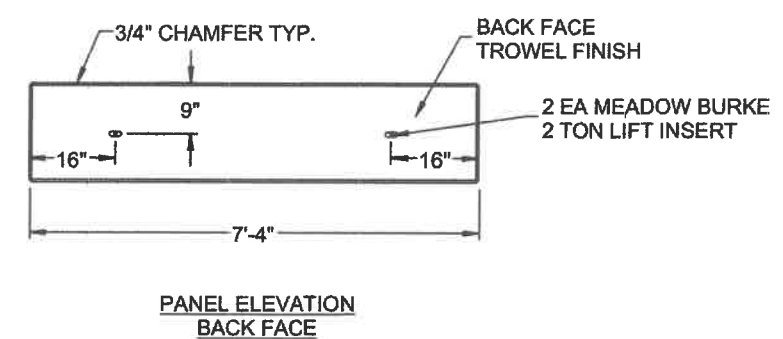
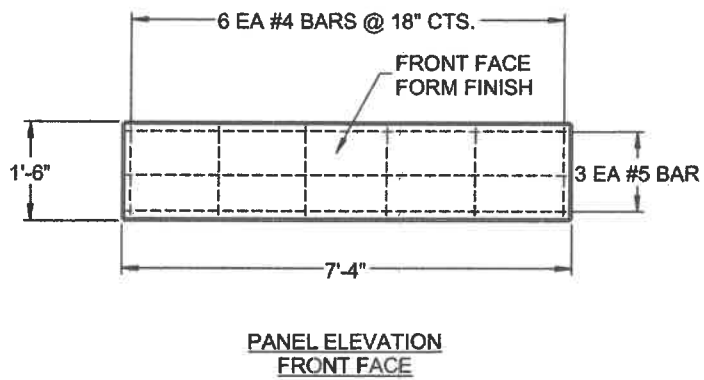
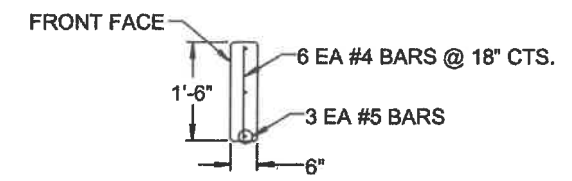
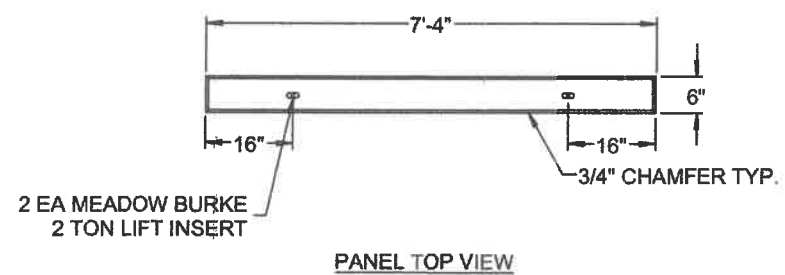
REVISIONS

**GENERAL NOTES:**

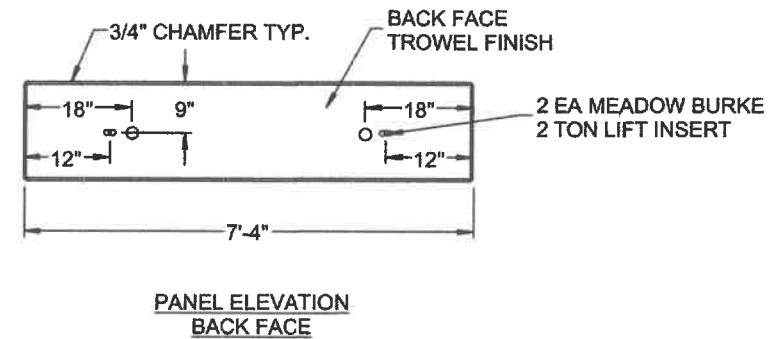
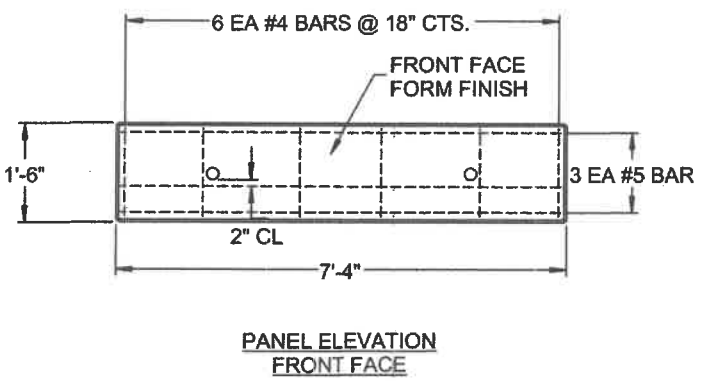
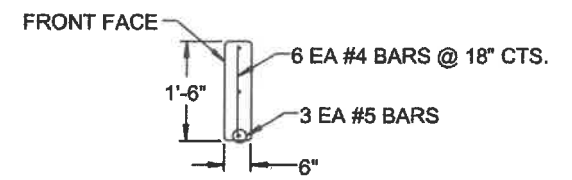
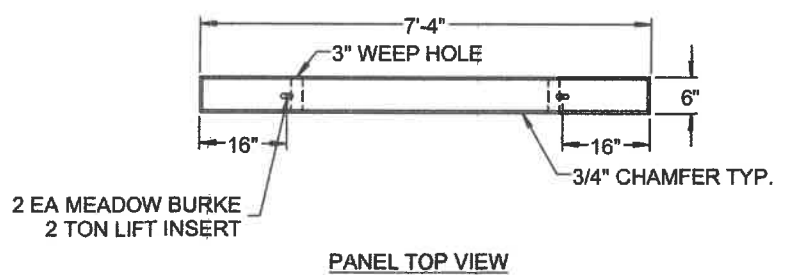
MINIMUM CONCRETE STRENGTH SHALL BE 5,000 P.S.I. AFTER 28 DAYS.

REINFORCEMENT SHALL BE ASTM A706, GRADE 60.

PLAIN GREY CONCRETE COLOR. NOT TINTED OR STAINED.



**STANDARD LAGGING PANEL**  
QUANTITY: 136 TOTAL



**LAGGING PANEL WITH WEEP HOLES**  
QUANTITY: 11 TOTAL

LAGGING PANEL DETAILS  
STRUCTURE NUMBER 050-8801

RAUSCH INFRASTRUCTURE  
1111 E TOUHY AVE, SUITE 120  
DES PLAINES, IL 60018  
PHONE: 708-667-0165  
FAX: 847-813-9710

McCANN CONCRETE PRODUCTS, INC.  
Precasting To Meet Your Needs

8709 STATE ROUTE 159  
DORSEY, IL 62021  
PHONE: 618-377-3888  
FAX: 618-377-7746



CONTRACT: 66F12  
FAP 46 (IL-251)  
SECTION (1)-2  
PROJECT NHPP-8DBB(338)  
COUNTY LASALLE  
JOB C-93-081-18  
STRUCTURE NUMBER 050-8801

DESIGNED BY	JOB NO.
DRAWN BY R.W.G.	SHEET 1 OF 3
CHECKED BY	<b>1-3</b>
DATE 04/08/19	

# FOR INFORMATION ONLY

PRODUCTION CODE: 5045

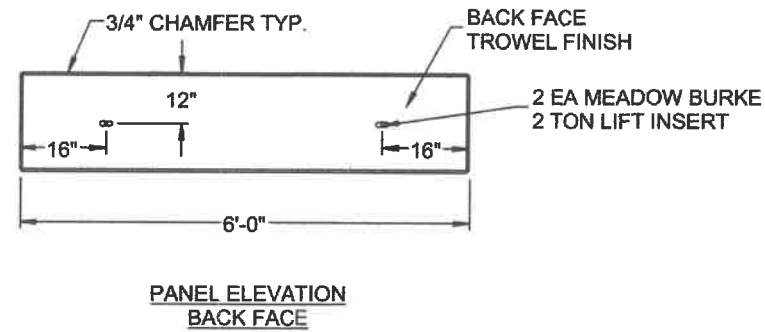
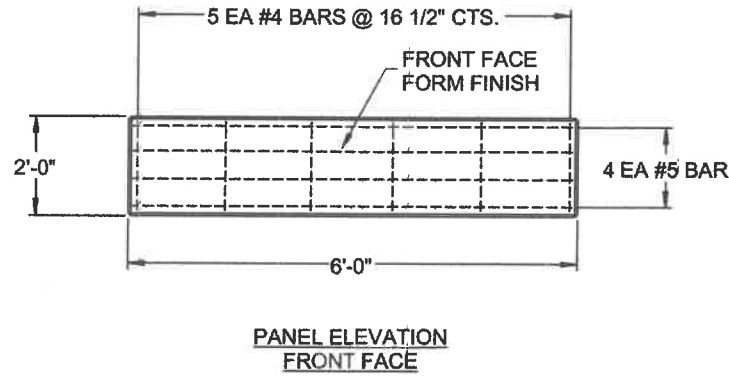
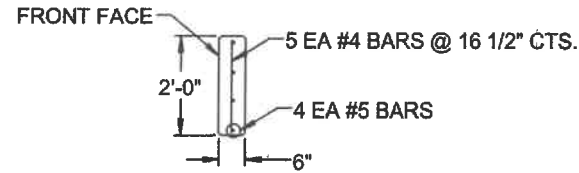
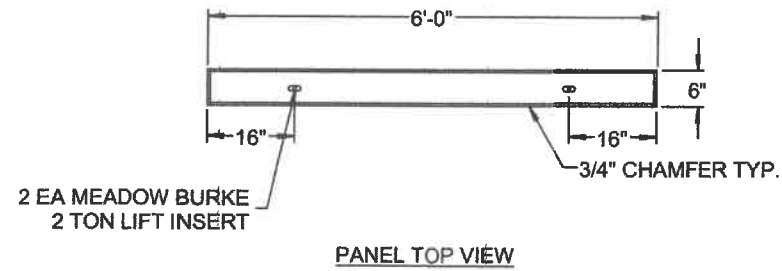
REVISIONS

**GENERAL NOTES:**

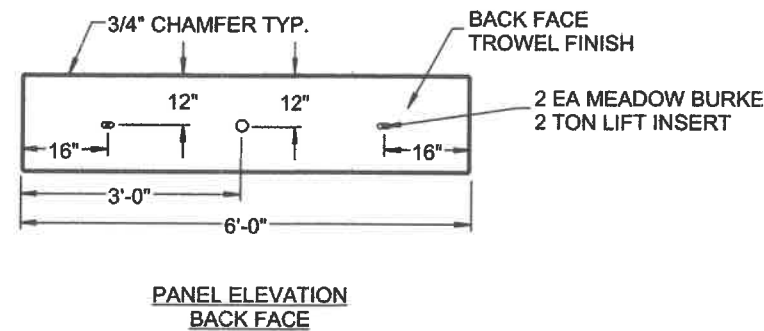
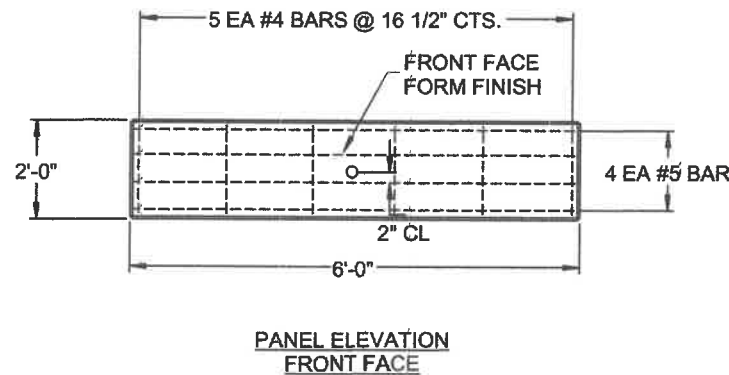
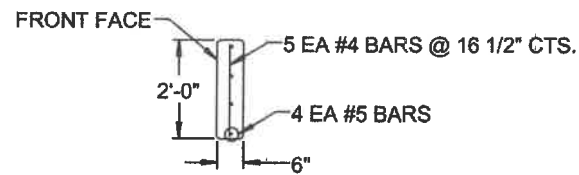
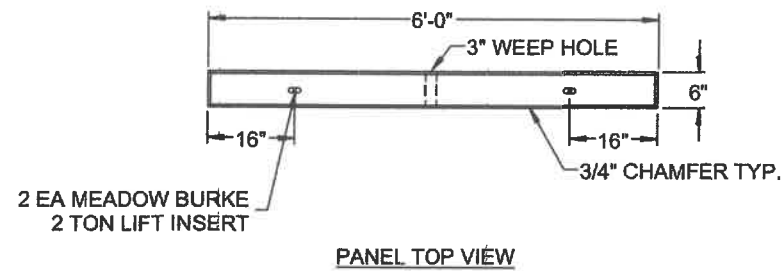
MINIMUM CONCRETE STRENGTH SHALL BE 5,000 P.S.I. AFTER 28 DAYS.

REINFORCEMENT SHALL BE ASTM A706, GRADE 60.

PLAIN GREY CONCRETE COLOR. NOT TINTED OR STAINED.



**STANDARD LAGGING PANEL**  
QUANTITY: 33 TOTAL  
(10 EA NORTH WALL & 23 EA SOUTH WALL)



**LAGGING PANEL WITH WEEP HOLES**  
QUANTITY: 5 TOTAL  
(2 EA NORTH WALL & 3 EA SOUTH WALL)

LAGGING PANEL DETAILS  
STRUCTURE NUMBER 050-8802

RAUSCH INFRASTRUCTURE  
1111 E TOUHY AVE, SUITE 120  
DES PLAINES, IL 60018  
PHONE: 708-667-0165  
FAX: 847-813-9710

McCANN CONCRETE PRODUCTS, INC.  
Precasting To Meet Your Needs

8709 STATE ROUTE 159  
DORSEY, IL 62021  
PHONE: 618-377-3888  
FAX: 618-377-7746



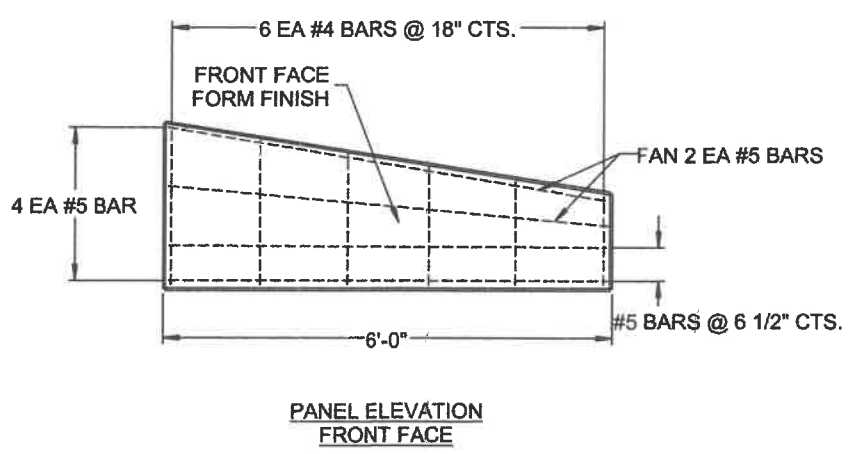
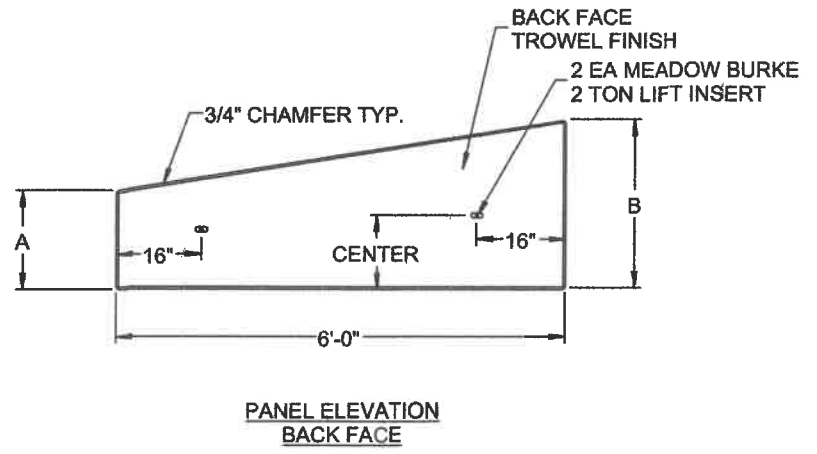
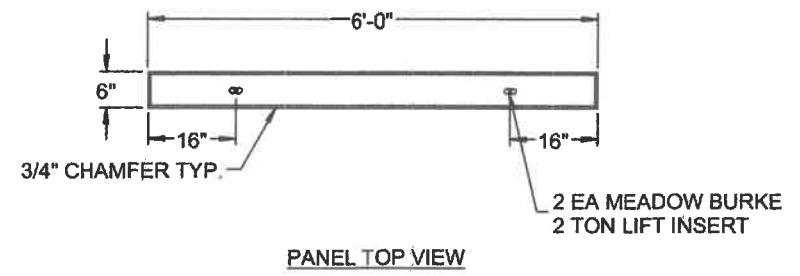
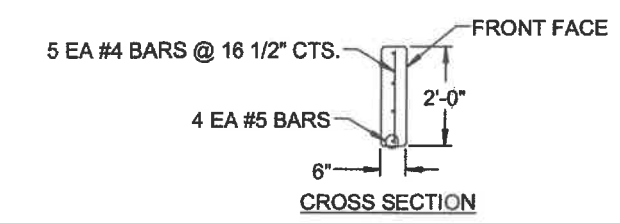
CONTRACT: 66F12  
FAP 46 (IL-251)  
SECTION (1)-2  
PROJECT NHPP-8DBB(338)  
COUNTY LASALLE  
JOB C-93-081-18  
STRUCTURE NUMBER 050-8802

DESIGNED BY	JOB NO.
DRAWN BY R.W.G.	SHEET 2 OF 3
CHECKED BY	<b>2-3</b>
DATE 04/08/19	

# FOR INFORMATION ONLY

PRODUCTION CODE: 5045

REVISIONS

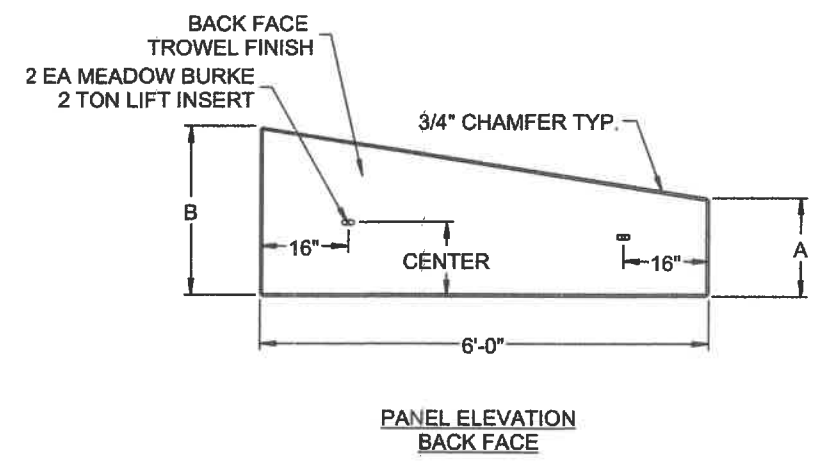
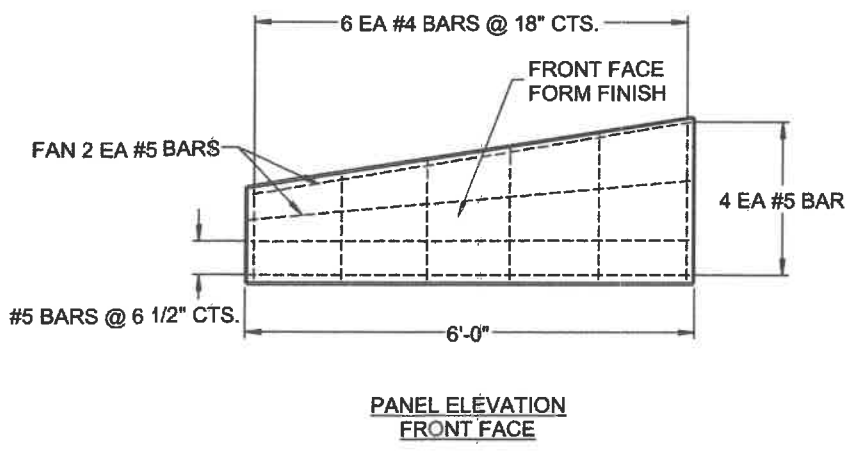
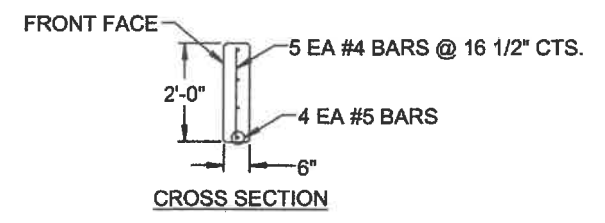
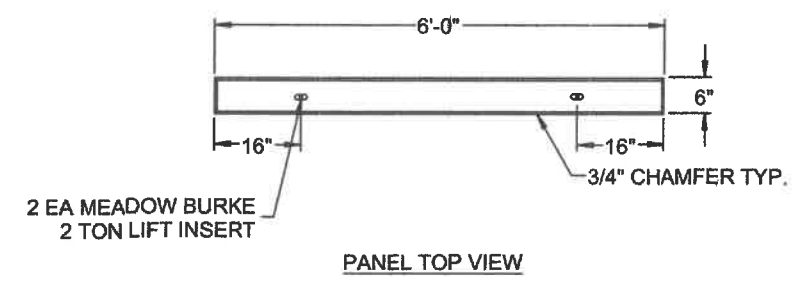


GENERAL NOTES:  
 MINIMUM CONCRETE STRENGTH SHALL BE 5,000 P.S.I. AFTER 28 DAYS.  
 REINFORCEMENT SHALL BE ASTM A706, GRADE 60.  
 PLAIN GREY CONCRETE COLOR. NOT TINTED OR STAINED.

LOCATION	"A" DIM.	"B" DIM.
STA 161+89.54	1'-9"	3'-8 3/8"
STA 161+93.27	1'-8 3/8"	3'-7 7/8"
STA 161+97.00	1'-7 7/8"	2'-9"

VARIABLE DEPTH LAGGING PANEL  
 QUANTITY: 3 EA NORTH WALL

VARIABLE HEIGHT LAGGING PANEL DETAILS  
 STRUCTURE NUMBER 050-8802  
 RAUSCH INFRASTRUCTURE  
 1111 E TOUHY AVE, SUITE 120  
 DES PLAINES, IL 60018  
 PHONE: 708-667-0165  
 FAX: 847-813-9710



LOCATION	"A" DIM.	"B" DIM.
STA 162+14.81	2'-0"	2'-9"
STA 162+20.13	11"	2'-0"
STA 162+25.46	1'-10"	2'-11"
STA 162+30.76	9"	1'-10"
STA 162+36.1	1'-9"	2'-9"

VARIABLE DEPTH LAGGING PANEL  
 QUANTITY: 5 EA SOUTH WALL

CONTRACT: 66F12  
 FAP 46 (IL-251)  
 SECTION (1)-2  
 PROJECT NHPP-8DBB(338)  
 COUNTY LASALLE  
 JOB C-93-081-18  
 STRUCTURE NUMBER 050-8802

McCANN CONCRETE PRODUCTS, INC.  
 Precasting To Meet Your Needs  
 8709 STATE ROUTE 159  
 DORSEY, IL 62021  
 PHONE: 618-377-3888  
 FAX: 618-377-7746



DESIGNED BY	JOB NO.
DRAWN BY R.W.G.	SHEET 3 OF 3
CHECKED BY	3-3
DATE 04/08/19	