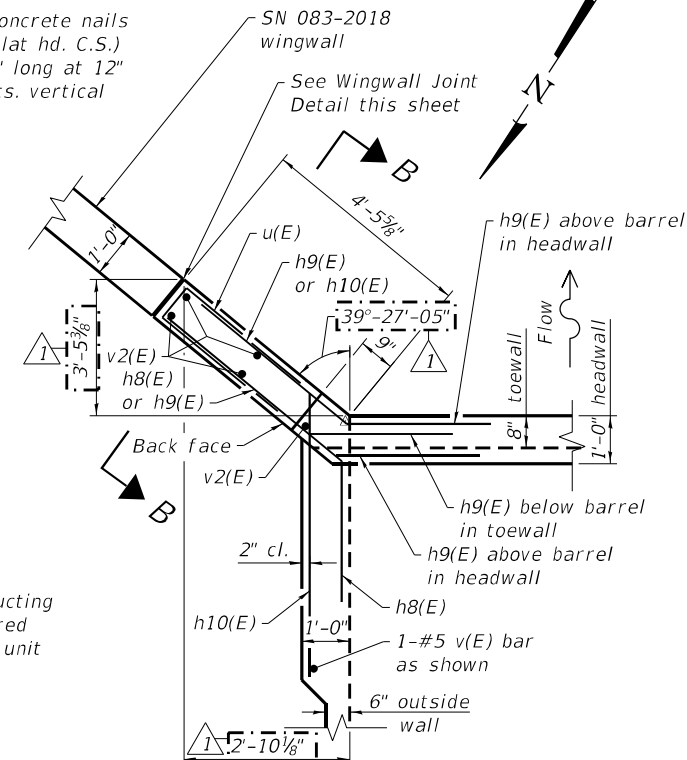
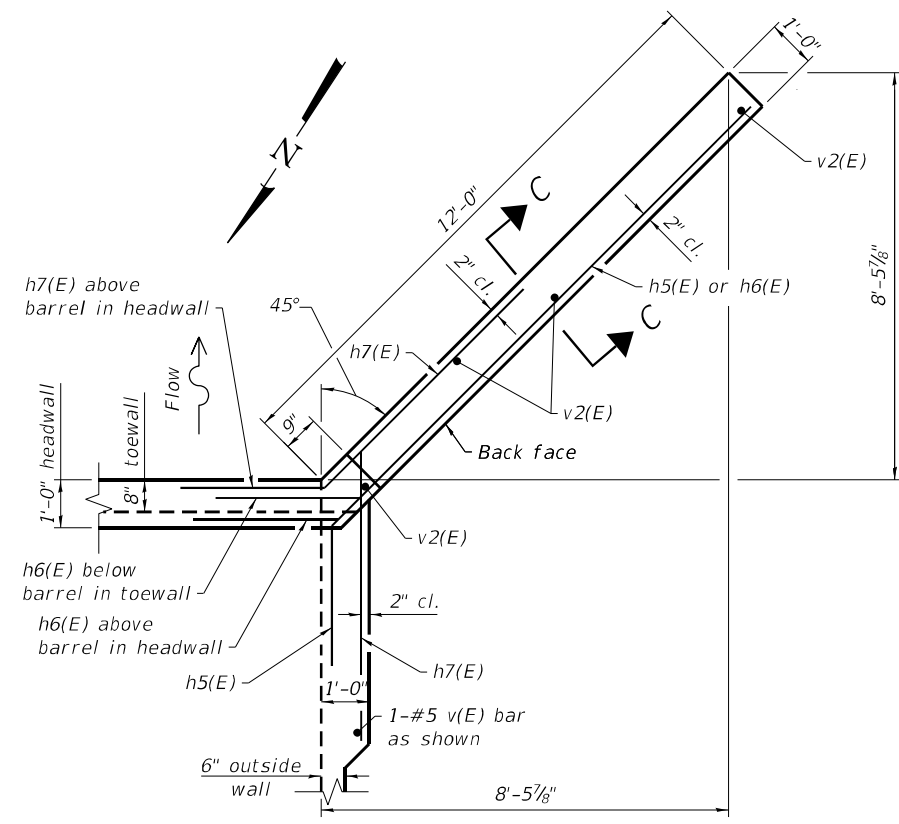


WINGWALL JOINT DETAIL

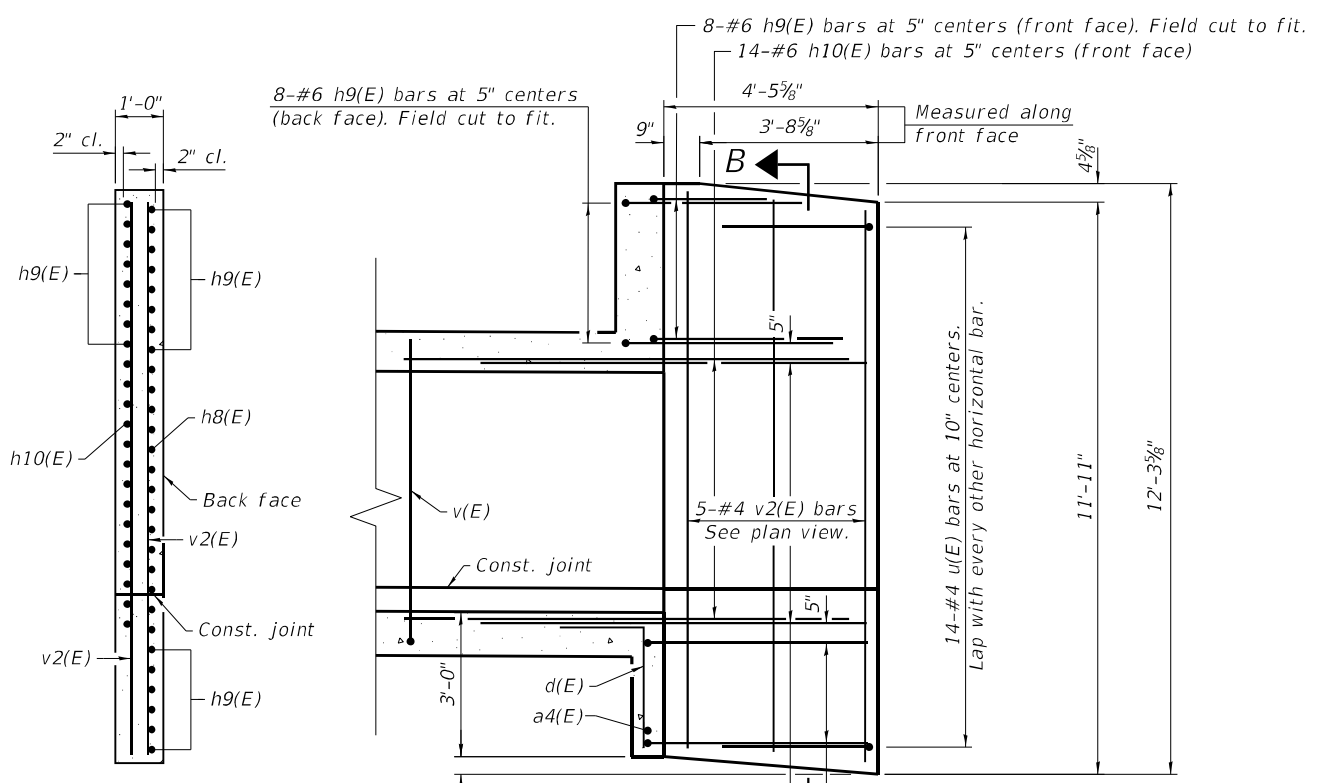
All costs associated with furnishing and constructing the above wingwall joint detail will not be measured for payment but shall be included in the contract unit price for the associated work.



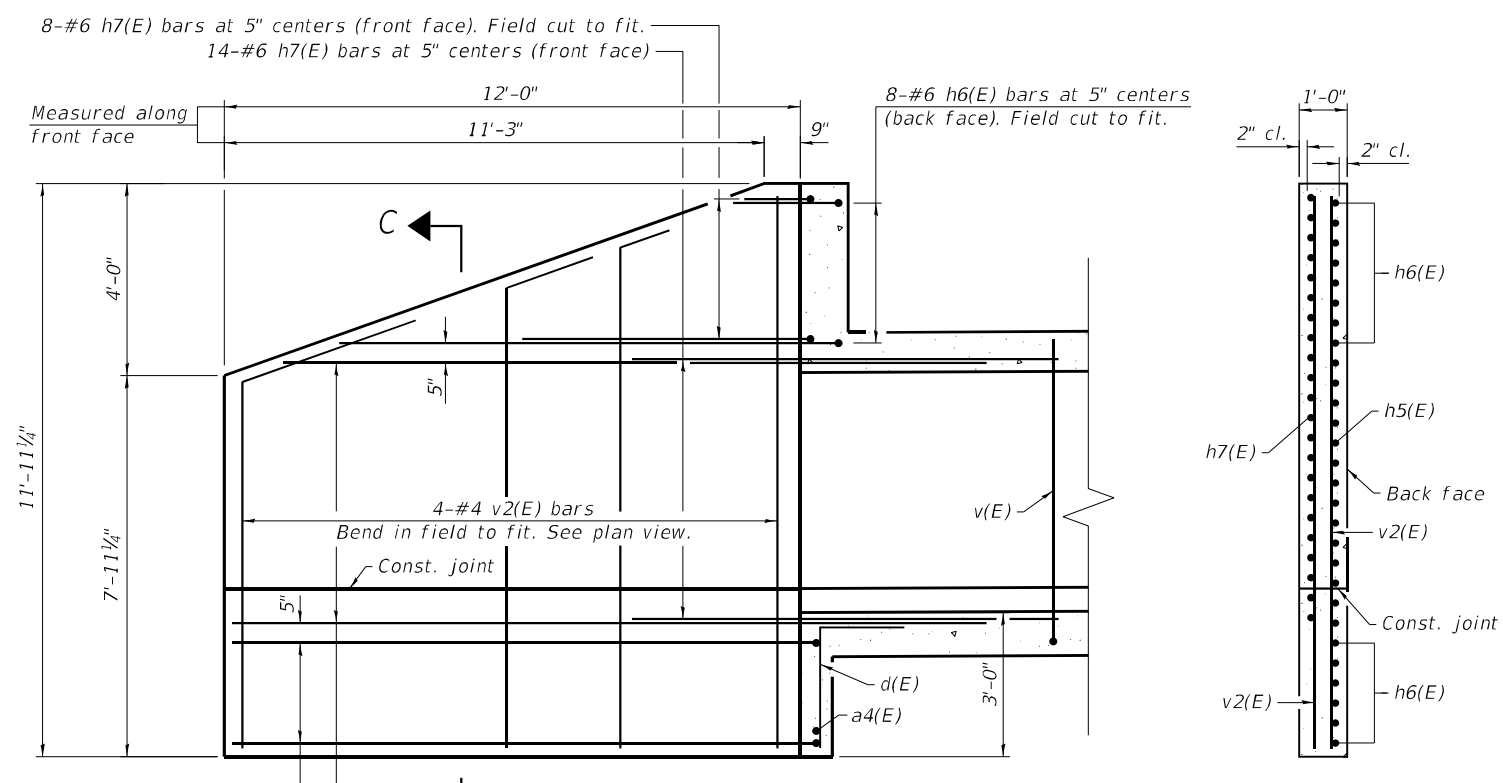
SOUTHEAST WINGWALL PLAN



SOUTHWEST WINGWALL PLAN



SOUTHEAST WINGWALL ELEVATION



SOUTHWEST WINGWALL ELEVATION

SECTION B-B

SECTION C-C

(Sheet 3 of 4)

REVISD 2-17-2021

MODEL: PLOT
FILE NAME: Y:\IDOT\1295-10_78501\DATA\2021-02-12_Revision_1\SP_SN_083-7102\0837102-78501-08-CulvertDtls(Rev.1).dgn



USER NAME = kah
ESCA PROJECT NO. 1295.10
PLOT SCALE = 0.1667' / in.
PLOT DATE = 2/12/2021

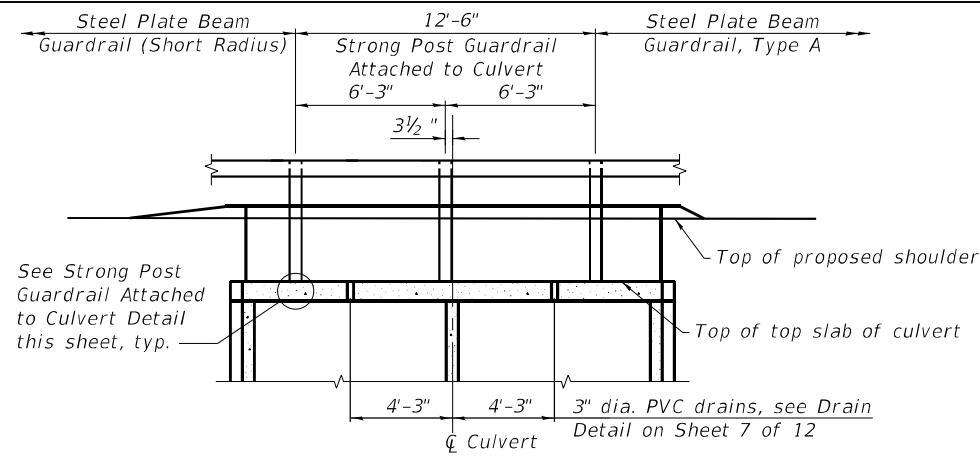
DESIGNED - SMA	06/20	REVISED -	02/12/21 MTD
CHECKED - MTD	06/20	REVISED -	
DRAWN - NHC	07/20	REVISED -	
CHECKED - MTD	07/20	REVISED -	

**STATE OF ILLINOIS
DEPARTMENT OF TRANSPORTATION**

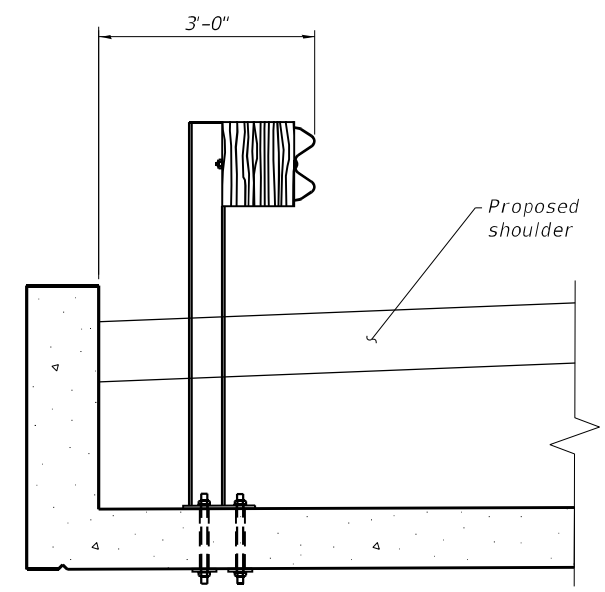
**BOX CULVERT DETAILS
STRUCTURE NO. 083-7102**

SHEET 8 OF 12 SHEETS

F.A.P. RTE.	SECTION	COUNTY	TOTAL SHEETS	SHEET NO.
881	32B-2;32B-3	SALINE	73	43
CONTRACT NO. 78501				
ILLINOIS FED. AID PROJECT				

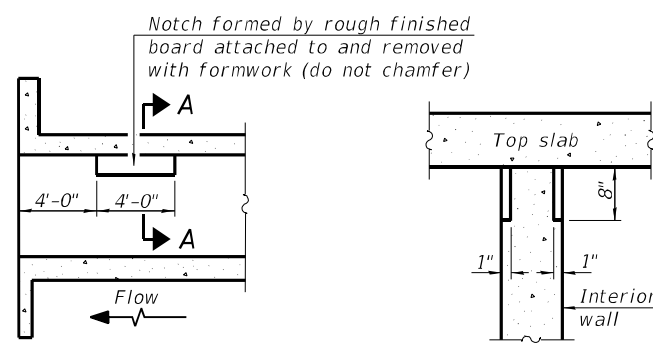


INSIDE ELEVATION OF SOUTH RAILING

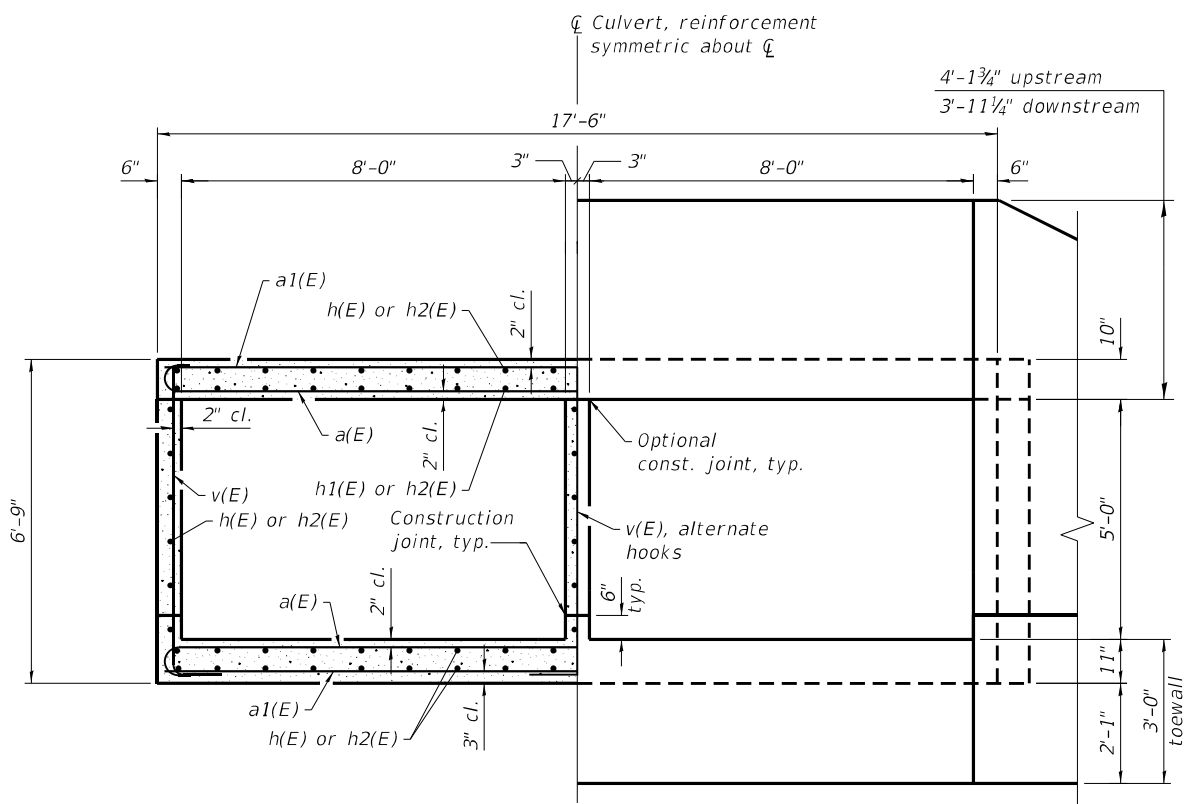


STRONG POST GUARDRAIL ATTACHED TO CULVERT DETAIL

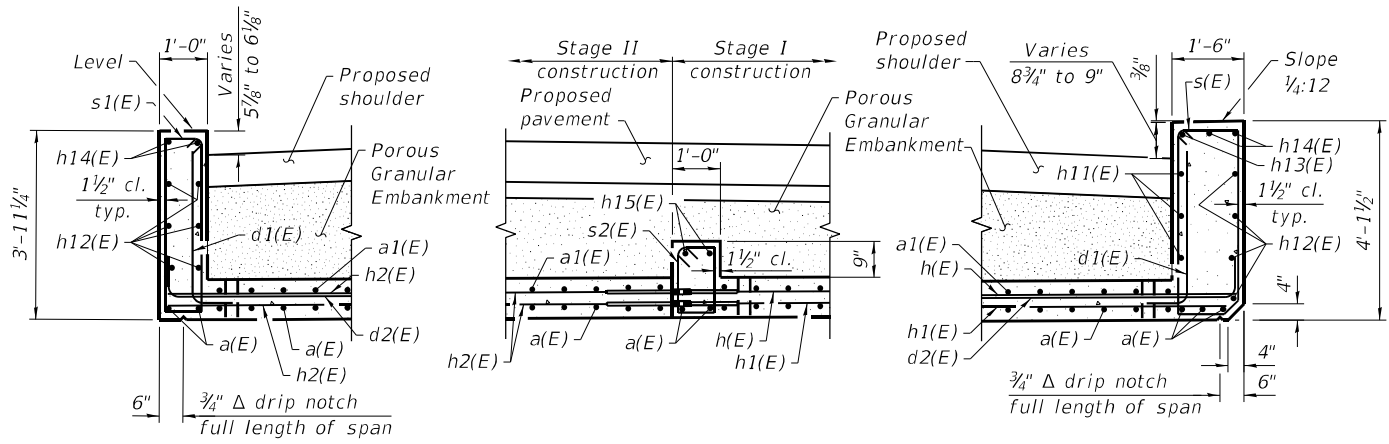
See roadway plans for mounting plate detail for center post. See Std. 630101 for mounting plate detail for other posts and anchor rod detail. Space reinforcement to miss anchor rods.



PHOEBE NESTING SITE DETAILS (Downstream End Only)



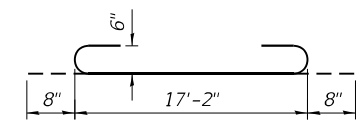
HALF SECTION THROUGH BARREL HALF END ELEVATION



HEADWALL DETAILS

BAR	A	B
d(E)	1'-9"	2'-7"
d1(E)	10"	3'-6"
d2(E)	10"	6'-6"
v(E)	10"	6'-4"

BARs d(E), d1(E), d2(E) & v(E)



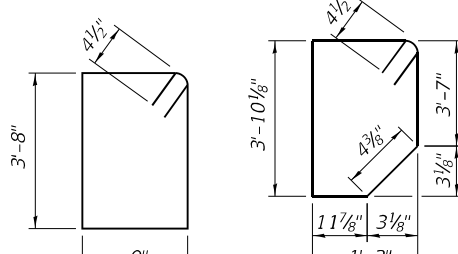
BAR a(E)

BAR	A	B
h3(E)	6'-5"	2'-1 1/2"
h4(E)	13'-5"	2'-1 1/2"
h5(E)	12'-3"	2'-1 1/2"
h6(E)	11'-6"	2'-1 1/2"
h7(E)	5'-11"	2'-1 1/2"
h8(E)	4'-7"	2'-3 3/4"
h9(E)	3'-10"	1'-10 1/8"
h10(E)	5'-10"	2'-3 3/4"

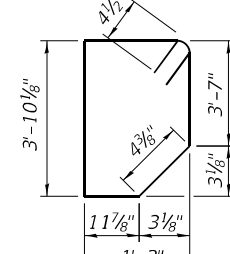
BARs h3(E) THRU h10(E)

BILL OF MATERIAL

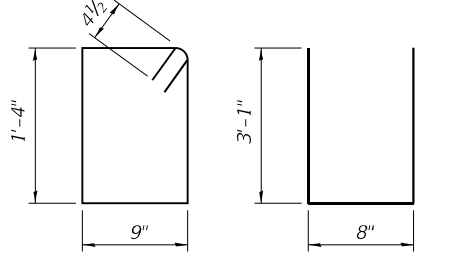
Bar	No.	Size	Length	Shape
a(E)	141	#6	18'-6"	□
a1(E)	134	#6	17'-2"	□
a2(E)	1	#4	18'-6"	□
a3(E)	1	#4	17'-2"	□
a4(E)	1	#4	18'-2"	□
d(E)	56	#4	4'-4"	□
d1(E)	50	#5	4'-4"	□
d2(E)	44	#5	7'-4"	□
h(E)	72	#5	17'-8"	□
h1(E)	18	#5	17'-6"	□
h2(E)	90	#5	27'-2"	□
h3(E)	44	#6	9'-5"	□
h4(E)	28	#6	16'-5"	□
h5(E)	42	#6	15'-3"	□
h6(E)	14	#6	14'-6"	□
h7(E)	22	#6	8'-11"	□
h8(E)	14	#6	7'-7"	□
h9(E)	22	#6	6'-10"	□
h10(E)	14	#6	8'-10"	□
h11(E)	3	#5	16'-8"	□
h12(E)	10	#5	17'-2"	□
h13(E)	1	#6	16'-8"	□
h14(E)	4	#6	17'-2"	□
h15(E)	2	#7	17'-2"	□
s(E)	33	#4	10'-10"	□
s1(E)	17	#4	9'-7"	□
s2(E)	17	#4	4'-11"	□
u(E)	14	#4	6'-10"	□
v(E)	208	#5	7'-2"	□
v1(E)	8	#4	11'-9"	□
v2(E)	9	#4	11'-6"	□
Concrete Box Culverts			Cu. Yd.	94.2
Reinforcement Bars, Epoxy Coated			Pound	18,370



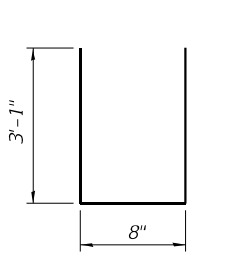
BAR s1(E)



BAR s(E)



BAR s2(E)



BAR u(E)

(Sheet 4 of 4)

REVISED 2-17-2021

MODEL: PLOT FILE NAME: Y:\IDOT\1295-10_78501\DATA\2021-02-12_Revision_1\SP_SN_083-7102\0837102-78501-09-CulvertDetails(Rev.1).dgn



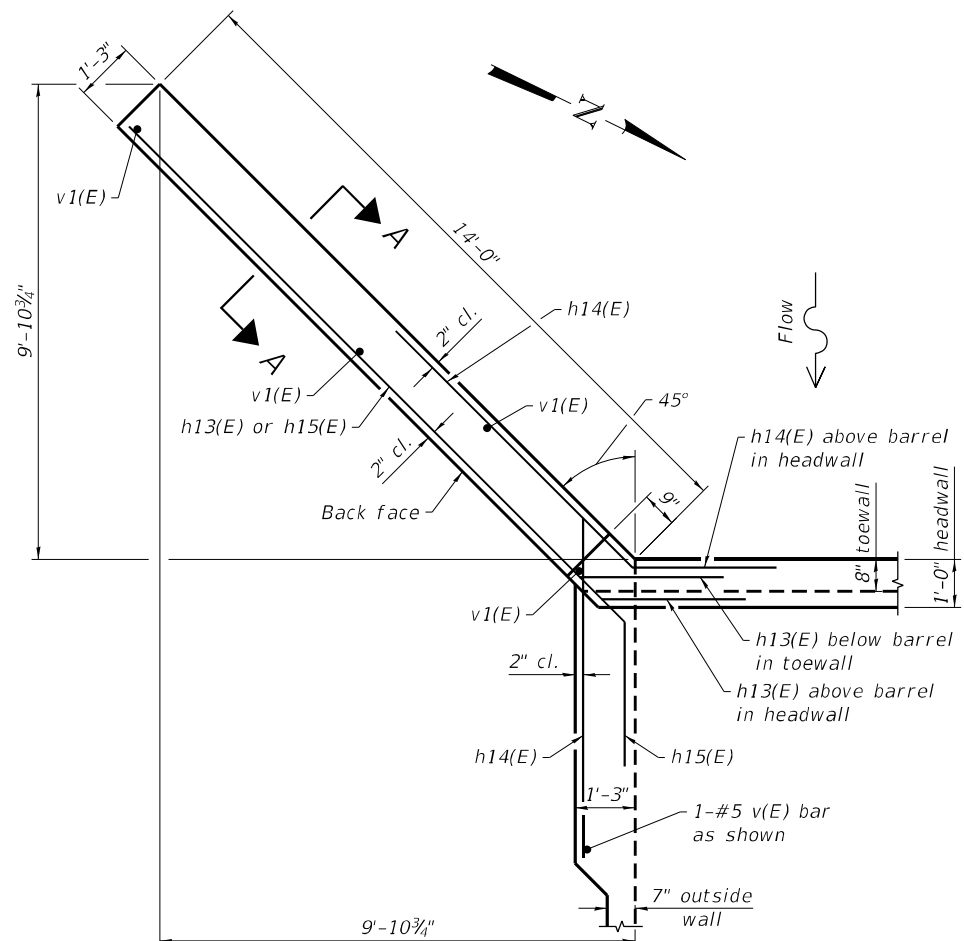
USER NAME = kah	DESIGNED - SMA 06/20	REVISED - 02/12/21 MTD
ESCA PROJECT NO. 1295.10	CHECKED - MTD 06/20	REVISED -
PLOT SCALE = 0.1667' / in.	DRAWN - NHC 07/20	REVISED -
PLOT DATE = 2/12/2021	CHECKED - MTD 07/20	REVISED -

STATE OF ILLINOIS DEPARTMENT OF TRANSPORTATION

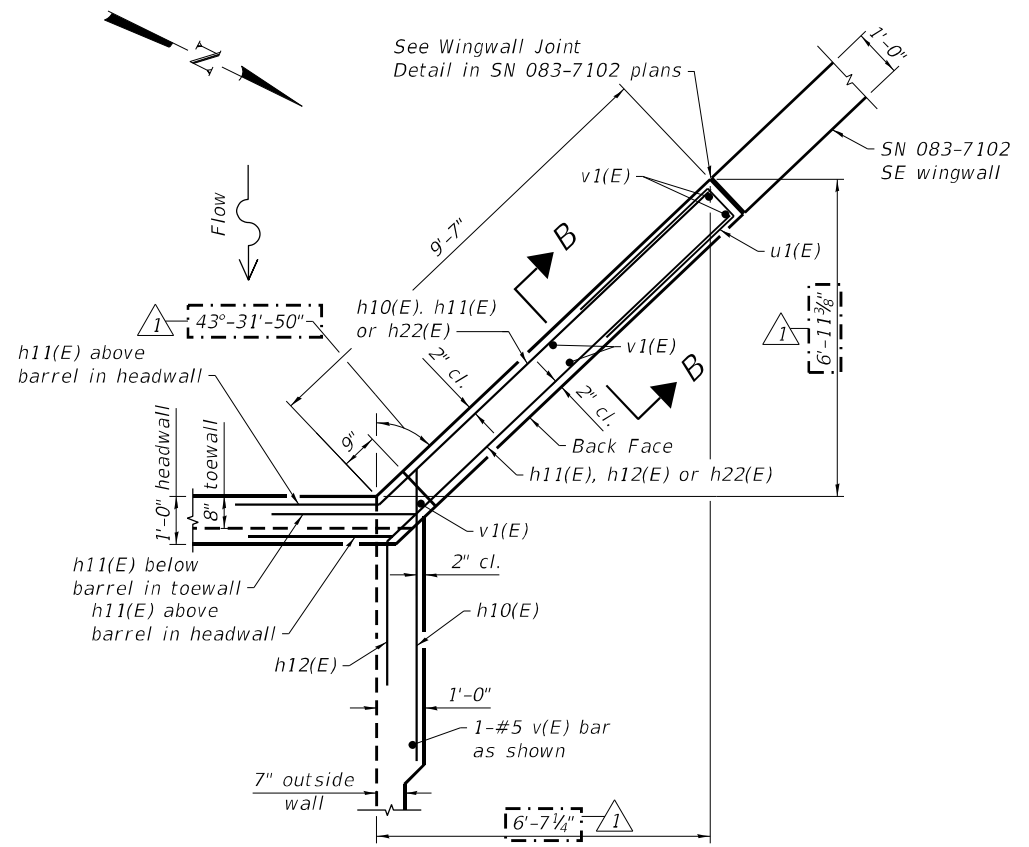
BOX CULVERT DETAILS STRUCTURE NO. 083-7102

SHEET 9 OF 12 SHEETS

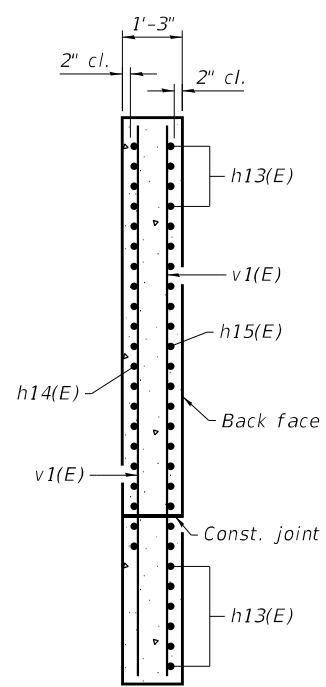
F.A.P. RTE.	SECTION	COUNTY	TOTAL SHEETS	SHEET NO.
881	32B-2;32B-3	SALINE	73	44
CONTRACT NO. 78501				
ILLINOIS FED. AID PROJECT				



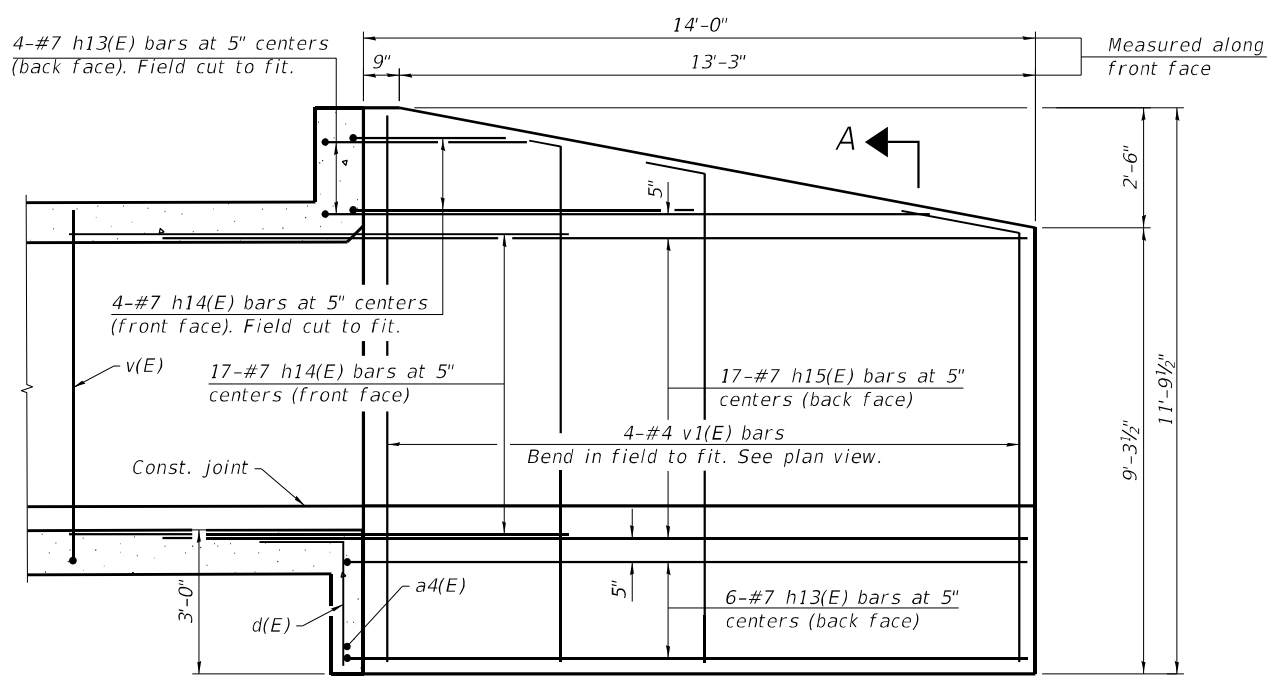
SOUTHWEST WINGWALL PLAN



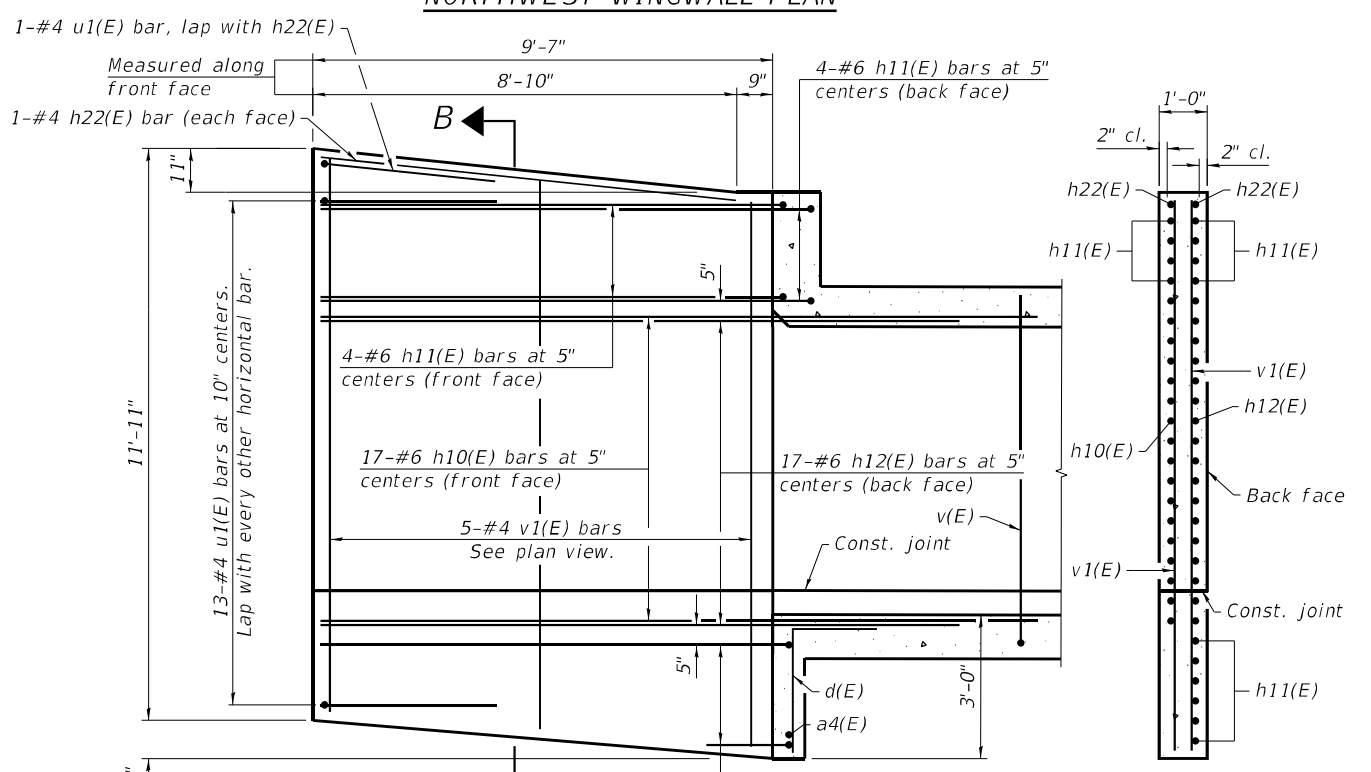
NORTHWEST WINGWALL PLAN



SECTION A-A



SOUTHWEST WINGWALL ELEVATION



NORTHWEST WINGWALL ELEVATION

SECTION B-B

(Sheet 3 of 6)

REVISD 2-17-2021

MODEL: PLOT
 FILE NAME: Y:\DOT\1295-10_78501\DATA\2021-02-12_Revision_1\SP_SN_083-2018\0832018-78501-05-CulvertDets(Rev1).dgn
 2/12/2021 11:48:36 AM



USER NAME = kah	DESIGNED - SMA 06/20	REVISED - 02/12/21 MTD
ESCA PROJECT NO. 1295.10	CHECKED - MTD 07/20	REVISED -
PLOT SCALE = 0.2" = 1' / in.	DRAWN - KAH/NHC 07/20	REVISED -
PLOT DATE = 2/12/2021	CHECKED - MTD 07/20	REVISED -

**STATE OF ILLINOIS
DEPARTMENT OF TRANSPORTATION**

**BOX CULVERT DETAILS
STRUCTURE NO. 083-2018**

SHEET 5 OF 10 SHEETS

F.A.P. RTE.	SECTION	COUNTY	TOTAL SHEETS	SHEET NO.
881	32B-2;32B-3	SALINE	73	52
CONTRACT NO. 78501				

ILLINOIS FED. AID PROJECT