

STATE OF ILLINOIS
DEPARTMENT OF TRANSPORTATION

F.A. RTE.	SECTION	COUNTY	TOTAL SHEETS	SHEET NO.
-	DIST 8 DEEP WELLS 2021-1	MADISON/ST. CLAIR	10	1
* = VARIOUS		ILLINOIS	CONTRACT NO. 76M78	

PROPOSED HIGHWAY PLANS

VARIOUS ROUTES SECTION DIST 8 DEEP WELLS 2021-1 WELL TREATMENT MADISON AND ST. CLAIR COUNTIES

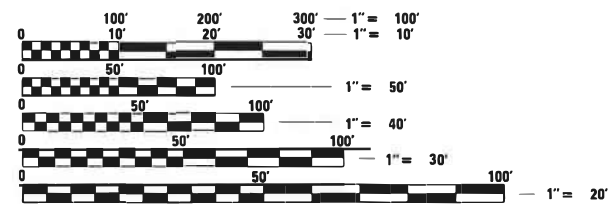
C-98-111-19

INDEX OF SHEETS

- 1 COVER SHEET AND STANDARDS
- 2 GENERAL NOTES, COMMITMENTS AND ADT
- 3 SUMMARY OF QUANTITIES
- 4 LOCATION NO. 1: SITE PLAN VENICE WELLS (IL ROUTE 3)
- 5 LOCATION NO. 2: SITE PLAN TRI-LEVEL WELLS
- 6 LOCATION NO. 3: SITE PLAN MISSOURI AVENUE WELLS
- 7 LOCATION NO. 4: SITE PLAN 25TH ST. WELLS
- 8 WELL HOUSE BUILDING - CAISSON DETAILS
MISSOURI AVENUE DEEP WELL (LOCATION 3)
- 9 TYPICAL WELL DETAILS LOCATION 1
- 10 TYPICAL WELL DETAILS LOCATION 2, 3, 4

STANDARDS

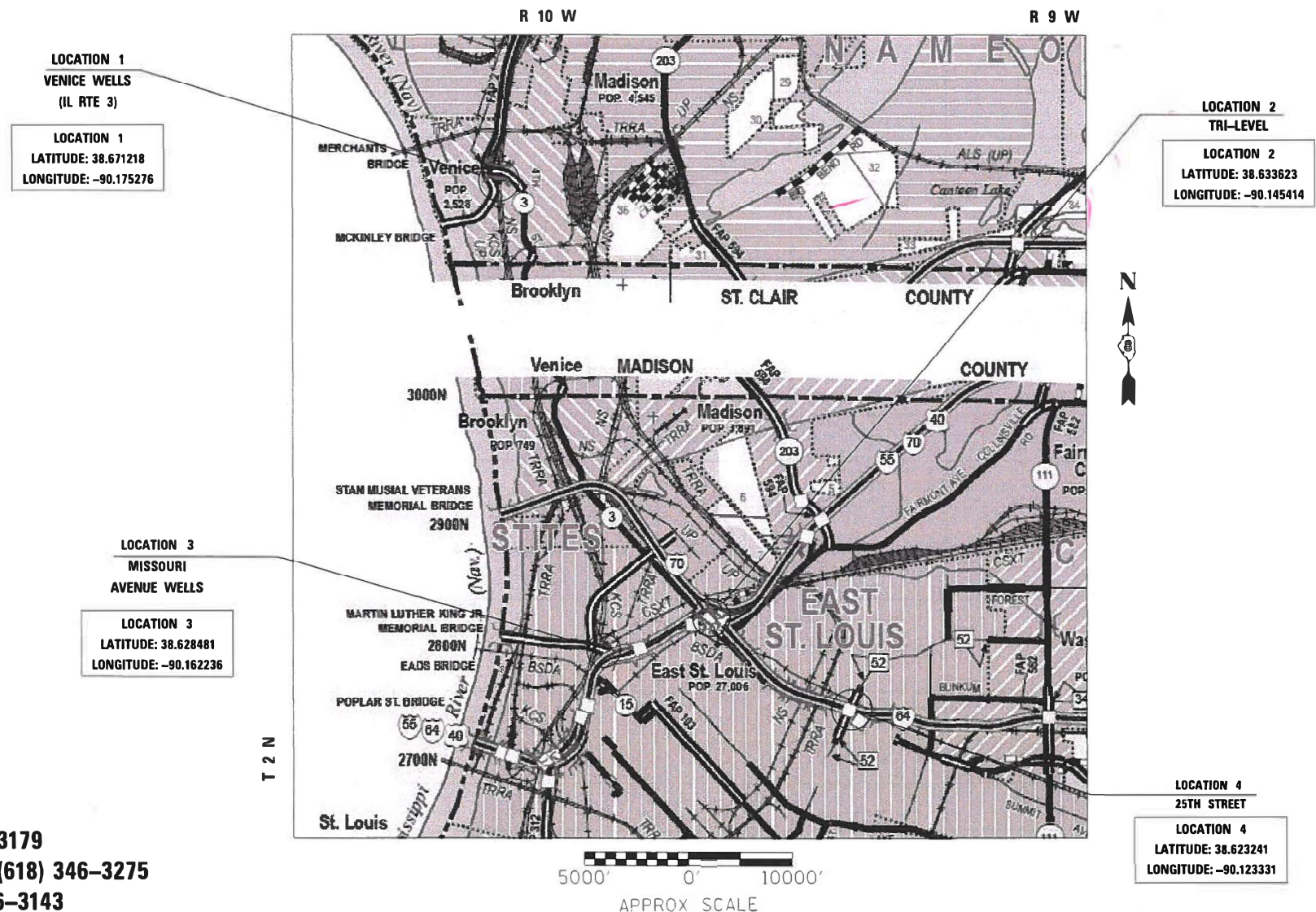
- 000001-08
- 001006
- 701101-05
- 701106-02
- 701400-10
- 701401-12
- 701428-01
- 701601-09
- 701901-08



FULL SIZE PLANS HAVE BEEN PREPARED USING STANDARD ENGINEERING SCALES. REDUCED SIZED PLANS WILL NOT CONFORM TO STANDARD SCALES. IN MAKING MEASUREMENTS ON REDUCED PLANS, THE ABOVE SCALES MAY BE USED.

J.U.L.I.E.
JOINT UTILITY LOCATION INFORMATION FOR EXCAVATORS
1-800-892-0123
OR 811

PROJECT ENGINEER: HERVE GELIN (618) 346-3179
PROJECT MANAGER: PHILLIP PETE SAWYER (618) 346-3275
SQUAD LEADER: MICHAEL PRESTON (618) 346-3143
CONTRACT NO. 76M78



STATE OF ILLINOIS
DEPARTMENT OF TRANSPORTATION

SUBMITTED June 26, 2020
Ruth Roberts
REGIONAL ENGINEER

January 29, 2021
Scott A. Etk
ENGINEER OF DESIGN AND ENVIRONMENT

January 29, 2021
James J. ...
DIRECTOR OF HIGHWAYS PROJECT IMPLEMENTATION

PRINTED BY THE AUTHORITY
OF THE STATE OF ILLINOIS

GENERAL NOTES

1. WHERE SECTION OR SUB-SECTION MONUMENTS ARE ENCOUNTERED, THE ENGINEER SHALL BE NOTIFIED BEFORE SUCH MONUMENTS ARE REMOVED. THE CONTRACTOR SHALL PROTECT AND CAREFULLY PRESERVE ALL PROPERTY MARKERS AND MONUMENTS UNTIL THE OWNER, AN AUTHORIZED SURVEYOR OR AGENT HAS WITNESSED OR OTHERWISE REFERENCED THE LOCATION.
2. ALL WELLS REQUIRE SEALING OF MISCELLANEOUS OPENINGS IN THE WELL HEAD TO PREVENT LEAKAGE DURING TREATMENT OPERATIONS. THIS WORK WILL NOT BE PAID FOR SEPARATELY, BUT WILL BE INCLUDED IN COST OF THE SPECIFIED TREATMENT METHODS.
3. THE DEPARTMENT RESERVES THE RIGHT TO NOTIFY THE CONTRACTOR TO CHANGE THE SEQUENCE OF WELL CLEANING IF NEEDED TO ENSURE PROPER DEWATERING NEEDS FOR THE DEPARTMENT. THE CONTRACTOR SHALL ALLOW 24 HOURS BETWEEN WELL TREATMENTS. THE CONTRACTOR SHALL INSTALL THE TEMPORARY DISCHARGE PIPES BACK INTO THE WELL DISCHARGE PIPES. ALL DISCHARGE WATER SHALL BE DISCHARGED INTO THE WELL FORCE MAINS.
4. THE DEPARTMENT STRONGLY ENCOURAGES THE PRIME CONTRACTOR AND THEIR APPROVED SUB-CONTRACTORS TO HIRE MINORITY, WOMEN AND DISADVANTAGED INDIVIDUALS FROM ITS FEDERALLY FUNDED HIGHWAY CONSTRUCTION CAREERS TRAINING PROGRAM (HCCTP) TO HELP MEET WORKFORCE AND TRAINEE GOALS. THIS PROGRAM IS TRAINING MINORITIES, WOMEN AND DISADVANTAGED INDIVIDUALS IN HIGHWAY CONSTRUCTION-RELATED SKILLS, E.G., MATH FOR THE TRADES, JOB READINESS, TECHNICAL SKILLS COURSEWORK (CARPENTRY, CONCRETE FLATWORK, BLUEPRINT READING, SITE PLANS, SITE WORK, TOOLS USE, ETC.) AND OSHA 10 HOUR CERTIFICATION, TO PREPARE THEM FOR A CAREER IN THE HIGHWAY CONSTRUCTION TRADES. GRADUATES ARE WELL-TRAINED AND READY TO BECOME PRODUCTIVE ENTRY-LEVEL CONSTRUCTION WORKERS. CONTACT THE DISTRICT 8 EEO OFFICE AT 618-346-3360 AND/OR THE HCCTP COORDINATOR AT 618-874-6528 TO LEARN MORE ABOUT THE PROGRAM AND FOR ASSISTANCE IN MEETING WORKFORCE AND TRAINEE GOALS.

FUNCTIONAL CLASSIFICATION
URBAN MINOR ARTERIAL

COMMITMENTS
NONE

LOCATION 1
NB/SB: 2020 ADT = 6500
S.U.=13.0% M.U.=7.9%

LOCATION 2
SB: 2020 ADT = 34900
S.U.=3.7% M.U.=11.1%
NB: 2020 ADT = 35400
S.U.=3.5% M.U.=10.4%

LOCATION 3
WB RAMP: 2020 ADT = 30000
S.U.=2.2% M.U.=7.3%
EB RAMP: 2020 ADT = 30000
S.U.=2.2% M.U.=7.3%

LOCATION 4
NB/SB: 2020 ADT = 7400
S.U.=4.1% M.U.=2.9%

MODEL: Default
FILE: \\nrc\c:\p\uplanroom\data\illinois.gov\PHWDOT\Documents\DOT_Offices\District 8\Projects\DIST 8\MT78\CAD\Draws\Electrical\DIST 8\MT78-elec.dgn

USER NAME = prestonme	DESIGNED -	REVISED -	STATE OF ILLINOIS DEPARTMENT OF TRANSPORTATION	GENERAL NOTES, COMMITMENTS AND ADT			F.A. RTE.	SECTION	COUNTY	TOTAL SHEETS	SHEET NO.
DRAWN -	REVISED -	*					DIST 8 DEEP WELLS 2021-1	ST. CLAIR	10	2	
PLOT SCALE = 100,0000' / in.	CHECKED -	REVISED -		* = VARIOUS			CONTRACT NO. 76M78				
PLOT DATE = 6/25/2020	DATE -	REVISED -		SCALE:	SHEET OF SHEETS	STA. TO STA.	ILLINOIS FED. AID PROJECT				

CODE NO.	ITEM	UNIT	100% STATE TOTAL QUANTITY	CONSTRUCTION CODE					
				LOCATION 1	LOCATION 2	LOCATION 3	LOCATION 4		
				MADISON ROADWAY	ST. CLAIR ROADWAY	ST. CLAIR ROADWAY	ST. CLAIR ROADWAY		
				0044 URBAN	0044 URBAN	0044 URBAN	0044 URBAN		
67100100	MOBILIZATION	L SUM	1	0.25	0.25	0.25	0.25		
70100800	TRAFFIC CONTROL AND PROTECTION, STANDARD 701401	L SUM	1		1				
70102630	TRAFFIC CONTROL AND PROTECTION, STANDARD 701601	L SUM	1	0.5			0.5		
X0300358	ADDITIONAL TREATMENT NO. 1	EACH	10	3	5		2		
X0300359	ADDITIONAL TREATMENT NO. 2	EACH	10	3	5		2		
X0325850	SONAR-JET TREATMENT	EACH	2	1	1				
X0943700	WELL CHEMICAL TREATMENT	EACH	8	2	4		2		
X1200211	DEEP WELL VIDEO INSPECTION	L SUM	1			1			

* SPECIALTY ITEM

REV. - MS

MODEL: D:\p1\work\p1\planroom.dwg
 FILE NAME: p1\planroom.dwg
 PROJECT: I:\Projects\DOT\Office\District 8\Projects\DOT\78M78\CADD\Data\Electrical\DOT78M78-elec.dgn

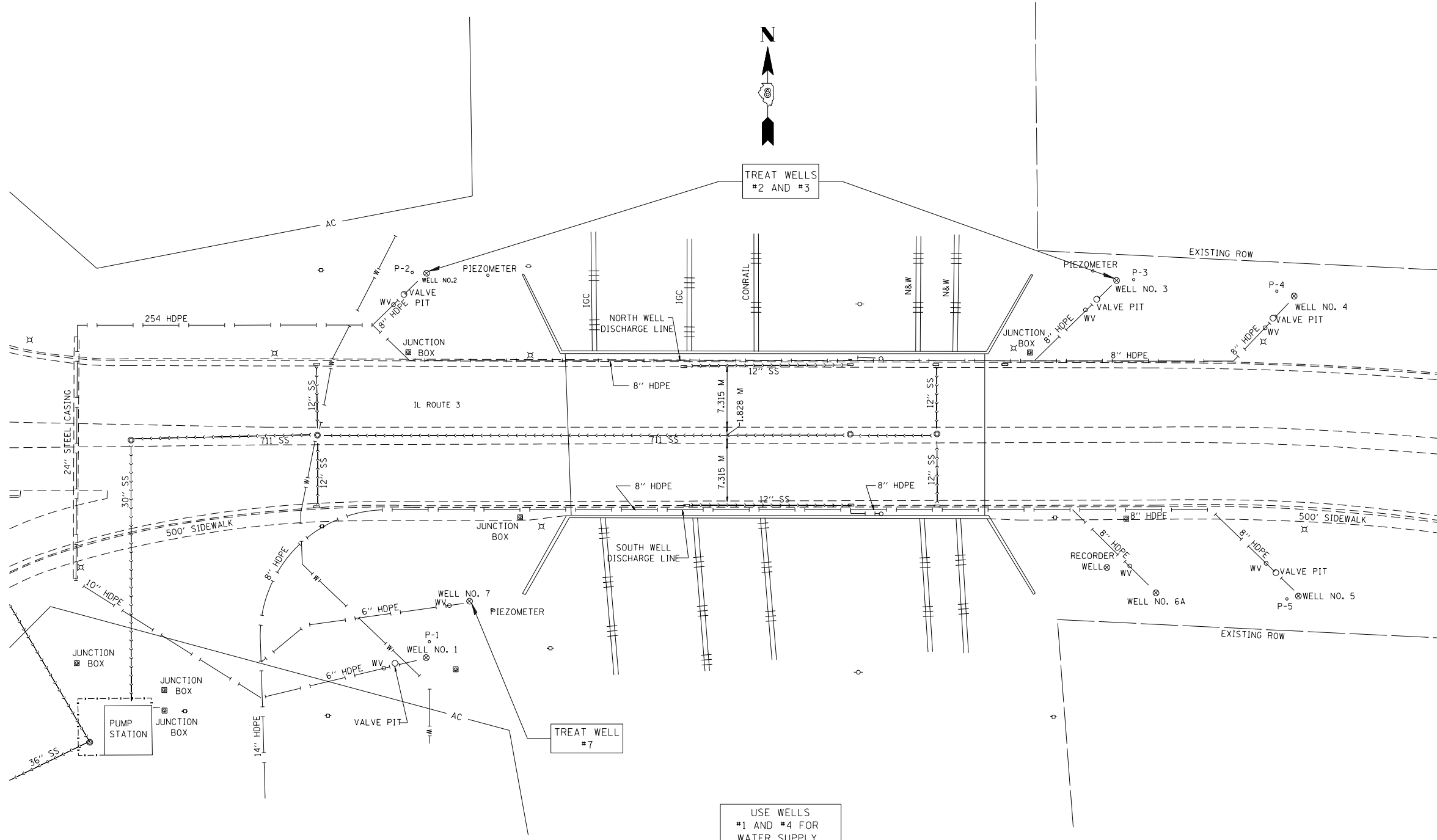
USER NAME = prestonme	DESIGNED -	REVISED -
	DRAWN -	REVISED -
PLOT SCALE = 100.0000' / in.	CHECKED -	REVISED -
PLOT DATE = 6/25/2020	DATE -	REVISED -

**STATE OF ILLINOIS
DEPARTMENT OF TRANSPORTATION**

SUMMARY OF QUANTITIES

SCALE: SHEET OF SHEETS STA. TO STA.

F.A. RTE.	SECTION	COUNTY	TOTAL SHEETS	SHEET NO.
*	DIST 8 DEEP WELLS 2021-1	ST. CLAIR	10	3
* = VARIOUS		CONTRACT NO. 78M78		
ILLINOIS FED. AID PROJECT				



NOTE: HOSE FOR SUPPLY WATER
MAY BE PLACED ON SIDE WALK
WHILE IN USE, BUT MUST BE
REMOVED OVER NIGHT.

LOCATION	ADDITIONAL TREATMENT NO. 1	ADDITIONAL TREATMENT NO. 2	WELL CHEMICAL TREATMENT	WELL CHEMICAL TREATMENT SPECIAL	SONAR JET TREATMENT
WELL #2	X	X	X		
WELL #3	X	X	X		
WELL #7	X	X			X

MODEL: Default
 FILE: Venice Well.pxd
 PROJECT: \p\planningroom\data\illinois\gov\PHD\DOT\Documents\DOT_Offices\Illinet\B\Projects\0876M78\CADD\Data\Electrical\0876M78-elec.dgn

USER NAME = prestonme	DESIGNED -	REVISED -
	DRAWN -	REVISED -
PLOT SCALE = 100,0000' / in.	CHECKED -	REVISED -
PLOT DATE = 6/25/2020	DATE -	REVISED -

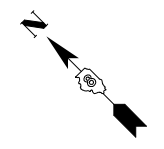
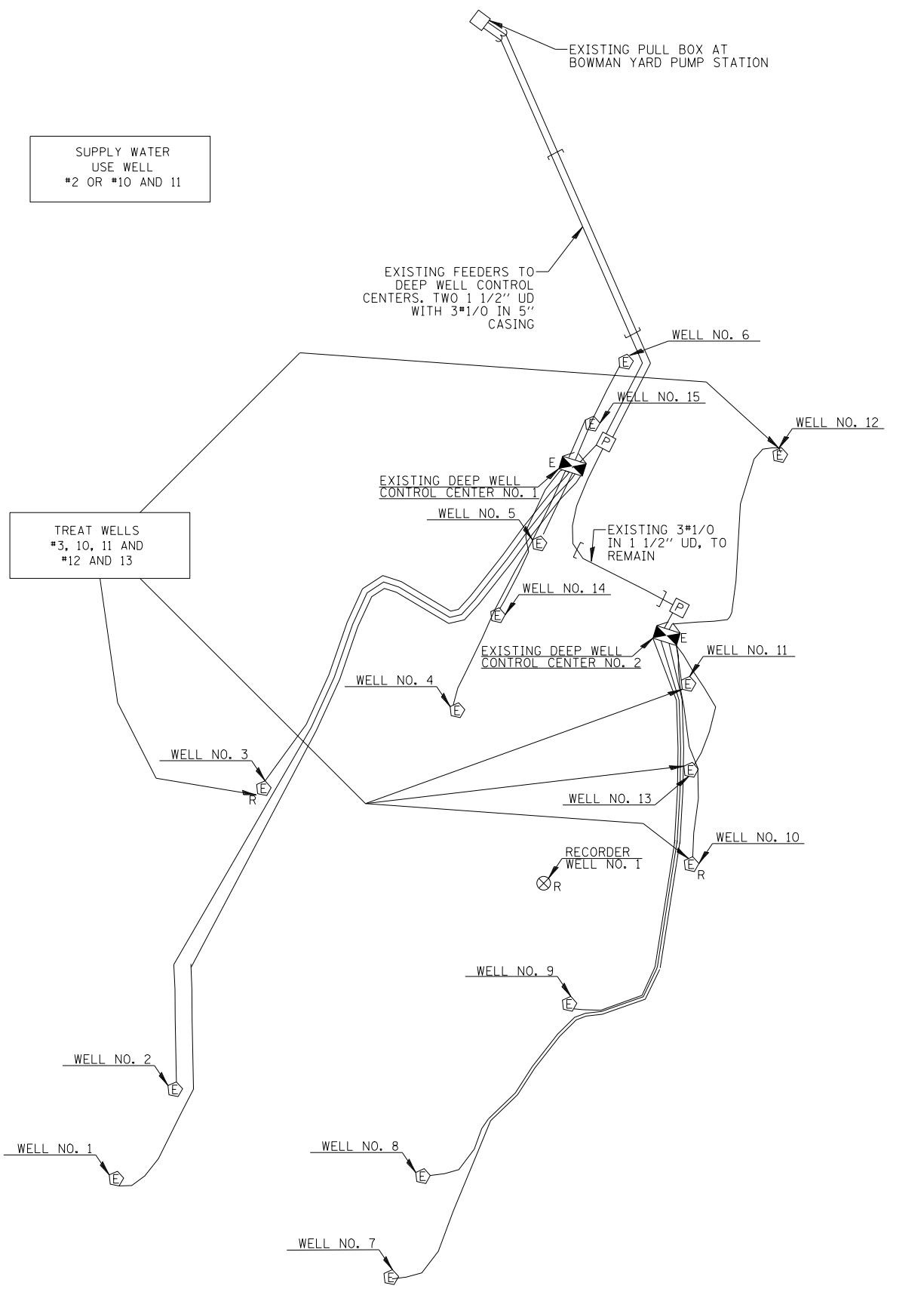
**STATE OF ILLINOIS
 DEPARTMENT OF TRANSPORTATION**

**LOCATION NO. 1: SITE PLAN
 VENICE WELLS (IL ROUTE 3)**

SCALE: SHEET OF SHEETS STA. TO STA.

F.A. RTE.	SECTION	COUNTY	TOTAL SHEETS	SHEET NO.
*	DIST 8 DEEP WELLS 2021-1	ST. CLAIR	10	4
	* = VARIOUS	CONTRACT NO. 76M78		
		ILLINOIS FED. AID PROJECT		

MODEL: Default
 FILE: \\nrcs-pc\pub\lancorn.dwg
 PROJECT: \\nrcs-pc\pub\lancorn.dwg
 OFFICE: \\nrcs-pc\pub\lancorn.dwg
 DATE: 6/25/2020



LOCATION	ADDITIONAL TREATMENT NO. 1	ADDITIONAL TREATMENT NO. 2	WELL CHEMICAL TREATMENT	SONAR JET TREATMENT	WELL CHEMICAL TREATMENT SPECIAL
WELL #3	X	X	X		
WELL #10	X	X		X	
WELL #11	X	X	X		
WELL #12B	X	X	X		
WELL #13	X	X	X		



USER NAME = prestonme	DESIGNED -	REVISED -
	DRAWN -	REVISED -
PLOT SCALE = 100.0000' / in.	CHECKED -	REVISED -
PLOT DATE = 6/25/2020	DATE -	REVISED -

STATE OF ILLINOIS
DEPARTMENT OF TRANSPORTATION

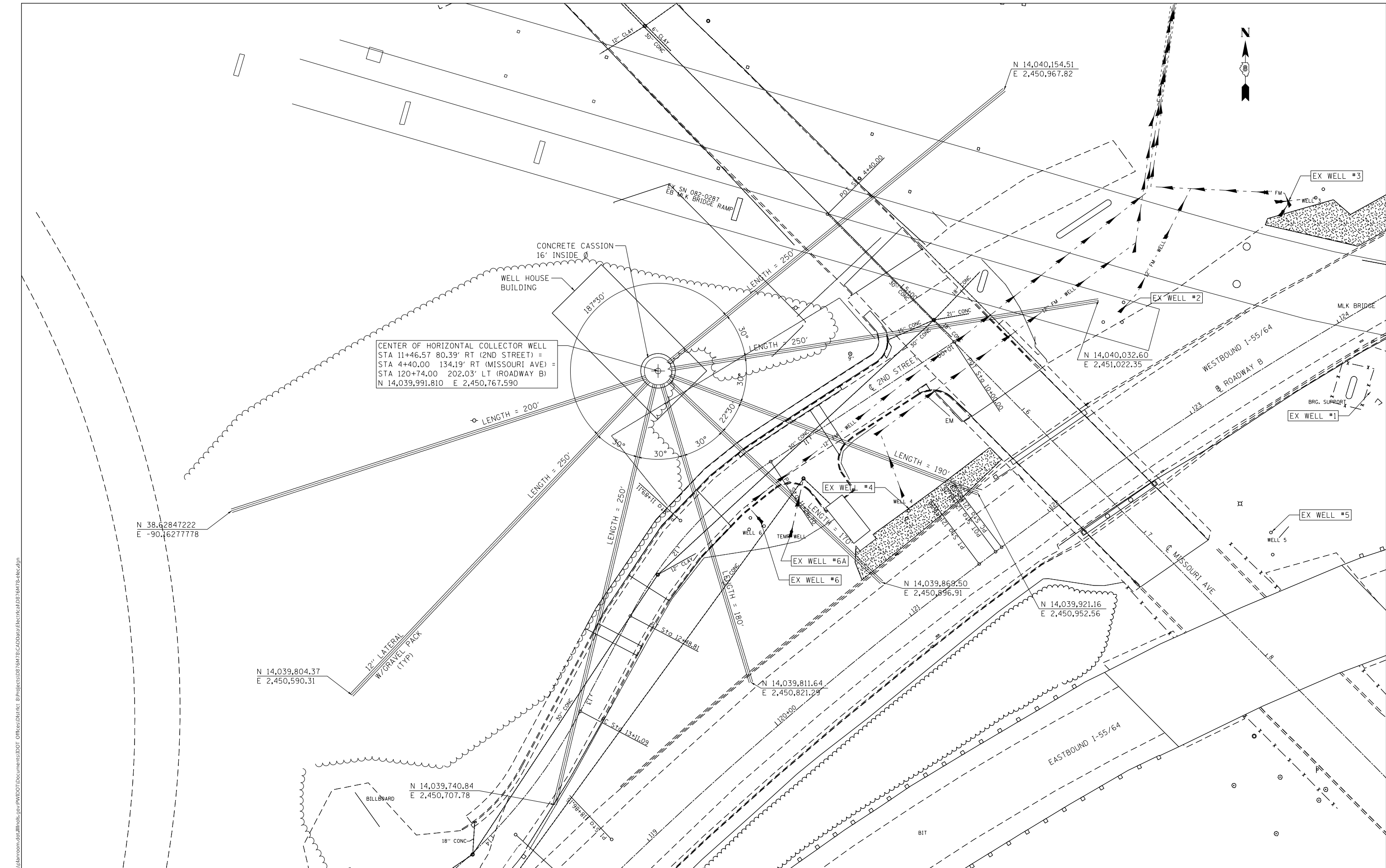
LOCATION NO. 2: SITE PLAN
TRI-LEVEL WELLS

SCALE: SHEET OF SHEETS STA. TO STA.

F.A. RTE.	SECTION	COUNTY	TOTAL SHEETS	SHEET NO.
*	DIST 8 DEEP WELLS 2021-1	ST. CLAIR	10	5
* = VARIOUS		CONTRACT NO. 76M78		
		ILLINOIS	FED. AID PROJECT	



CENTER OF HORIZONTAL COLLECTOR WELL
 STA 11+46.57 80.39' RT (2ND STREET) =
 STA 4+40.00 134.19' RT (MISSOURI AVE) =
 STA 120+74.00 202.03' LT (ROADWAY B)
 N 14,039,991.810 E 2,450,767.590



MODEL: Default
 FILE: Model.dwg
 PROJECT: C:\Users\p10011001\Documents\DOT Offices\Illinois\Projects\2021\2021-1\11-11-21\11-11-21.dwg
 PLOT DATE: 6/25/2020

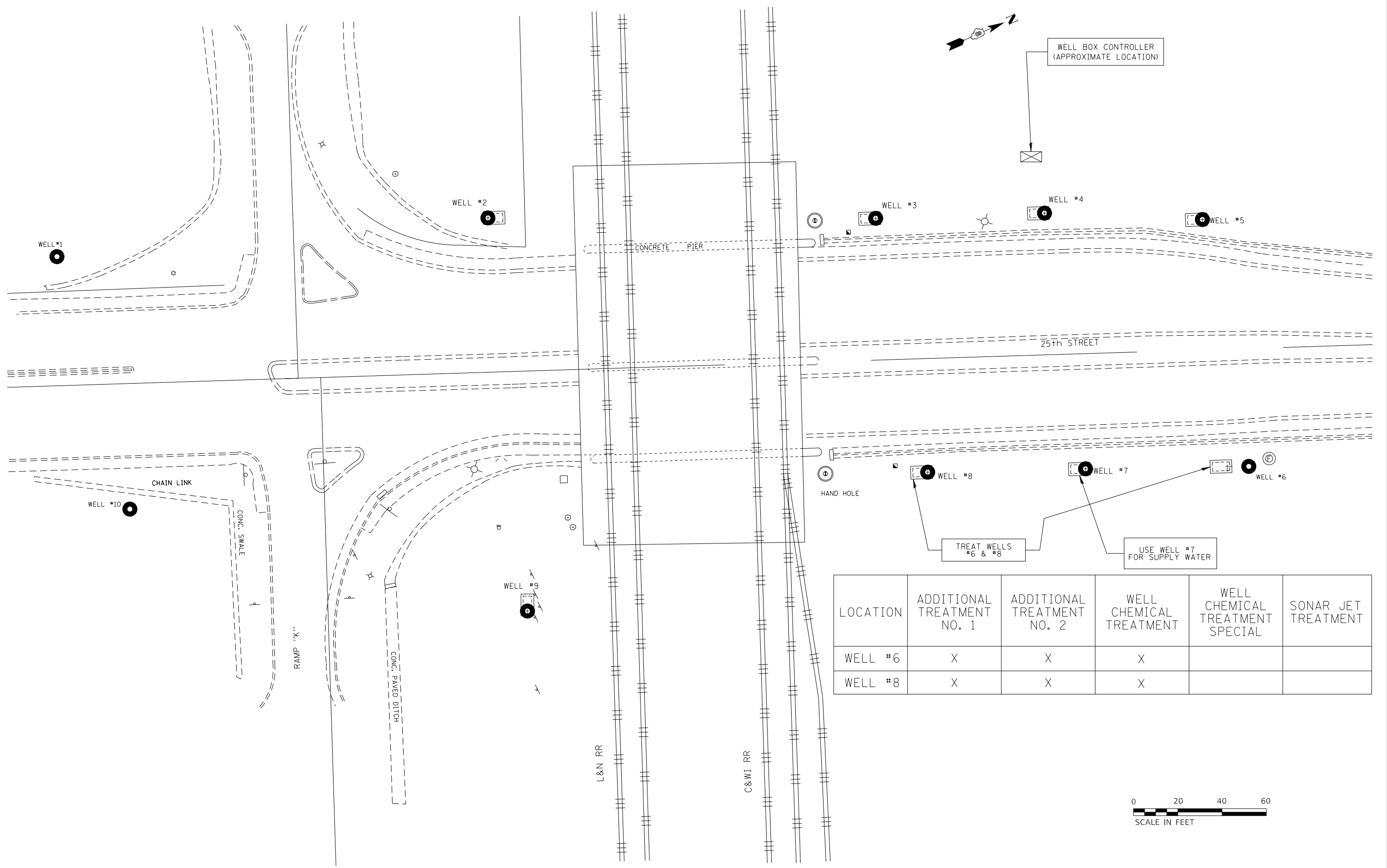
USER NAME = prestonme	DESIGNED -	REVISED -
	DRAWN -	REVISED -
PLOT SCALE = 100.0000' / in.	CHECKED -	REVISED -
PLOT DATE = 6/25/2020	DATE -	REVISED -

**STATE OF ILLINOIS
 DEPARTMENT OF TRANSPORTATION**

LOCATION NO. 3: SITE PLAN MISSOURI AVENUE WELLS			
SCALE:	SHEET	OF SHEETS	STA. TO STA.

F.A. RTE.	SECTION	COUNTY	TOTAL SHEETS	SHEET NO.
-	DIST 8 DEEP WELLS 2021-1	ST. CLAIR	10	6
* = VARIOUS			CONTRACT NO. 76M78	
ILLINOIS		FED. AID PROJECT		

MODEL: Default
 FILE: \\nrcs-pix\pub\room.dta\illinois.gov\PWIDOT\Documents\DOT_Offices\District 8\Projects\ID076M78\CADD\Drawn\Electrical\ID076M78-elec.dgn



LOCATION	ADDITIONAL TREATMENT NO. 1	ADDITIONAL TREATMENT NO. 2	WELL CHEMICAL TREATMENT	WELL CHEMICAL TREATMENT SPECIAL	SONAR JET TREATMENT
WELL #6	X	X	X		
WELL #8	X	X	X		



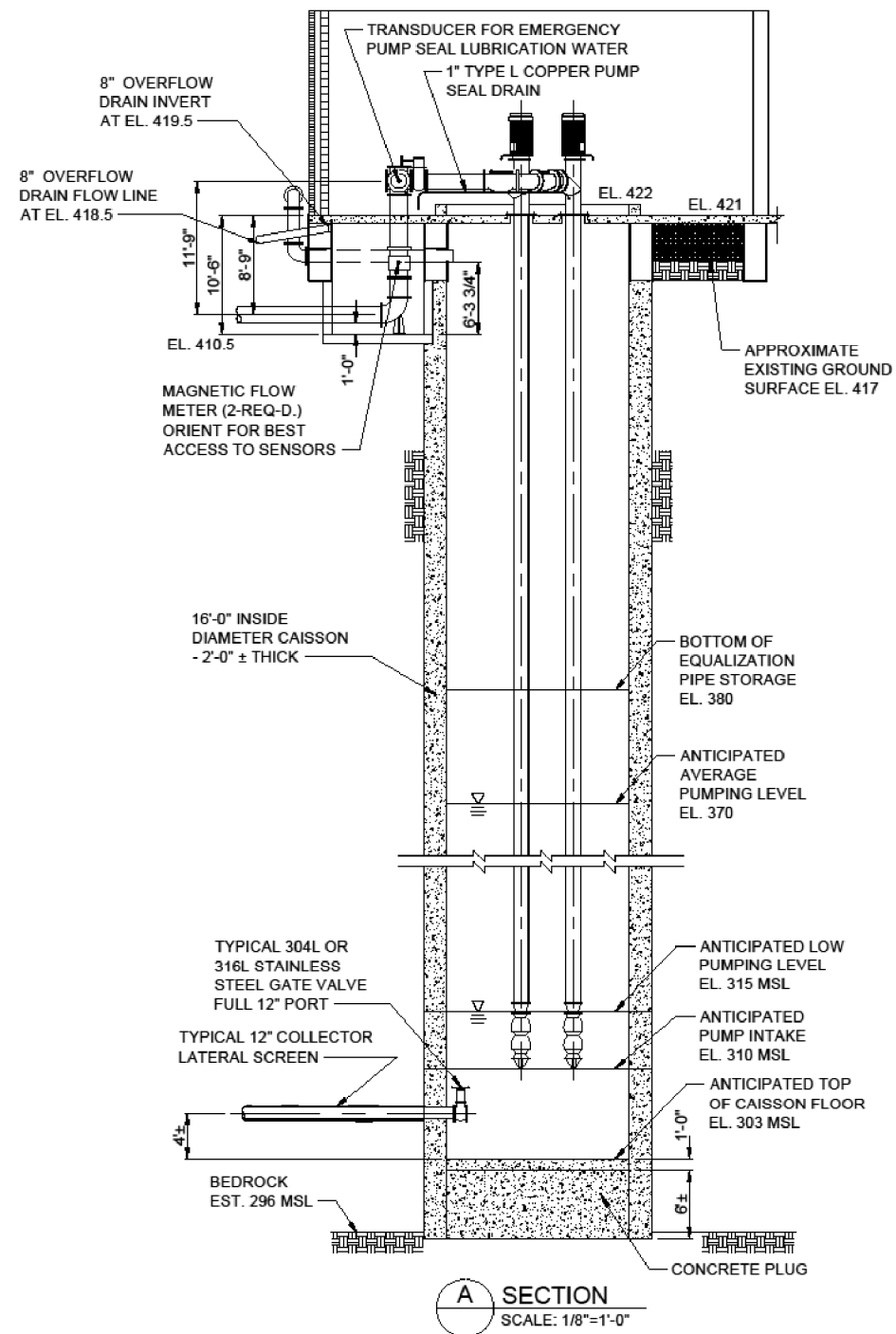
USER NAME = prestonme	DESIGNED -	REVISED -
	DRAWN -	REVISED -
PLOT SCALE = 100,0000' / in.	CHECKED -	REVISED -
PLOT DATE = 6/25/2020	DATE -	REVISED -

**STATE OF ILLINOIS
 DEPARTMENT OF TRANSPORTATION**

**LOCATION NO. 4: SITE PLAN
 25TH ST. WELLS**

SCALE: SHEET OF SHEETS STA. TO STA.

F.A. RTE.	SECTION	COUNTY	TOTAL SHEETS	SHEET NO.
*	DIST 8 DEEP WELLS 2020-1	ST. CLAIR	10	7
* = VARIOUS			CONTRACT NO. 76M78	
ILLINOIS		FED. AID PROJECT		



MODEL: Default
 FILE: Model: Pic: Up: Room: dat: Illinois.gov: PWIDOT: Documents: IDOT: Offices: District: 8: Projects: IDOT: 76M78: CAD: Data: Electrical: IDOT: 76M78: elec.dgn

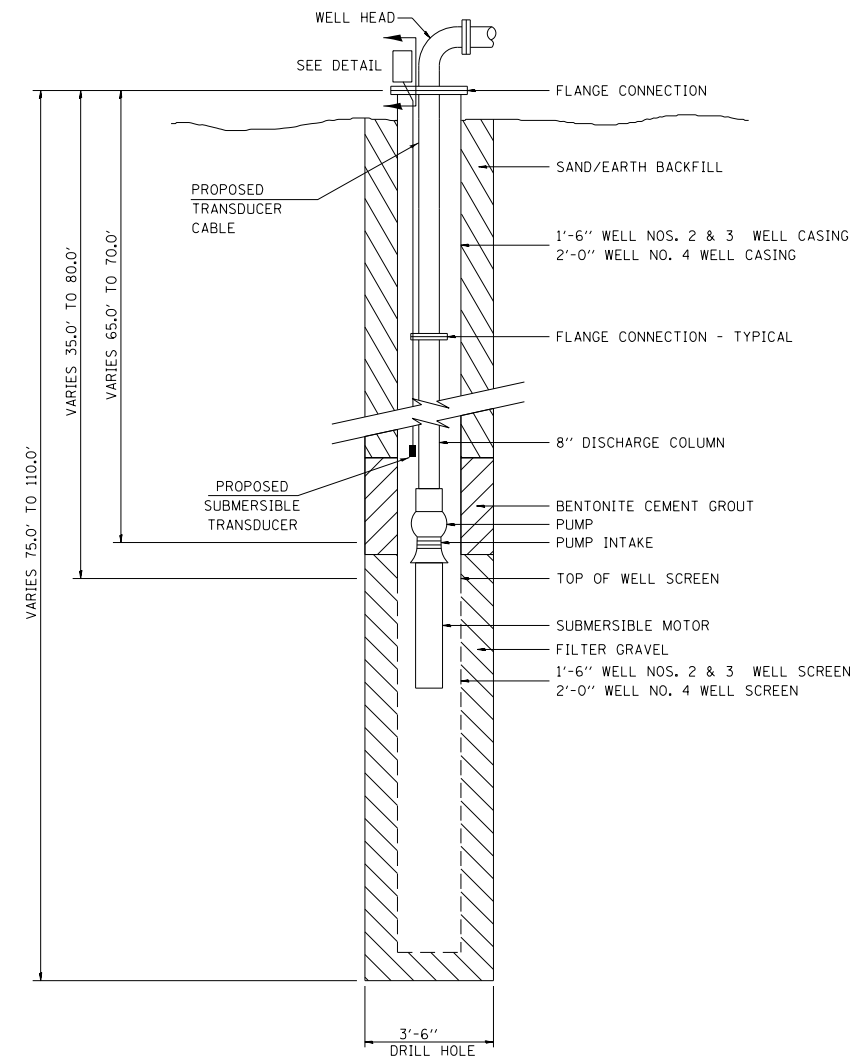
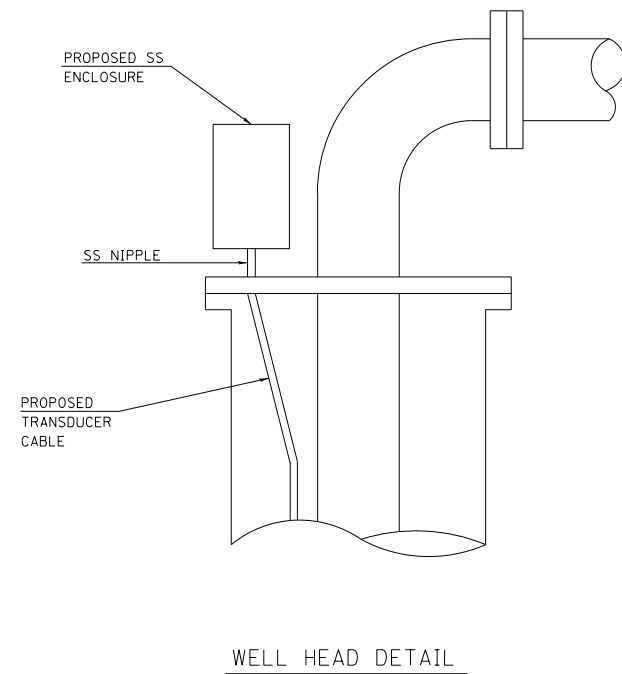
USER NAME = prestonme	DESIGNED -	REVISED -
	DRAWN -	REVISED -
PLOT SCALE = 100,0000' / in.	CHECKED -	REVISED -
PLOT DATE = 6/25/2020	DATE -	REVISED -

**STATE OF ILLINOIS
 DEPARTMENT OF TRANSPORTATION**

**WELL HOUSE BUILDING - CAISSON DETAILS
 MISSOURI AVE DEEP WELL (LOCATION 3)**

SCALE: SHEET OF SHEETS STA. TO STA.

F.A. RTE.	SECTION	COUNTY	TOTAL SHEETS	SHEET NO.
*	DIST 8 DEEP WELLS 2021-1	ST. CLAIR	10	8
* = VARIOUS		CONTRACT NO. 76M78		
		ILLINOIS	FED. AID PROJECT	



NOT TO SCALE

MODEL: Default
 FILE: \\nrc\c:\pic\uplanroom\data\illinois.gov\PIWIDOT\Documents\DOT_Offices\District 8\Projects\DIST 8\MT78\CADD\Baa\Electrical\0876M78-elec.dgn

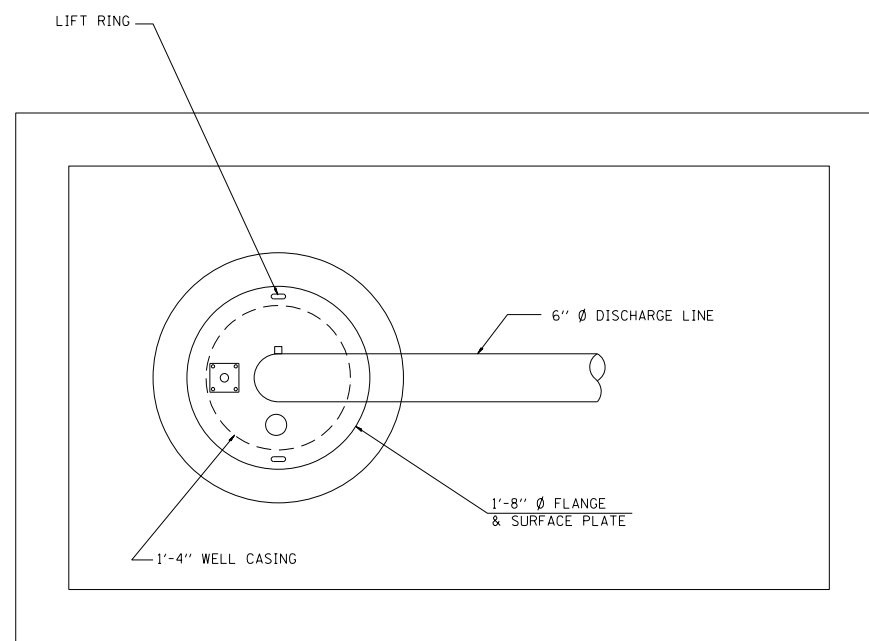
USER NAME = prestonme	DESIGNED -	REVISED -
	DRAWN -	REVISED -
PLOT SCALE = 100,0000' / in.	CHECKED -	REVISED -
PLOT DATE = 6/25/2020	DATE -	REVISED -

**STATE OF ILLINOIS
 DEPARTMENT OF TRANSPORTATION**

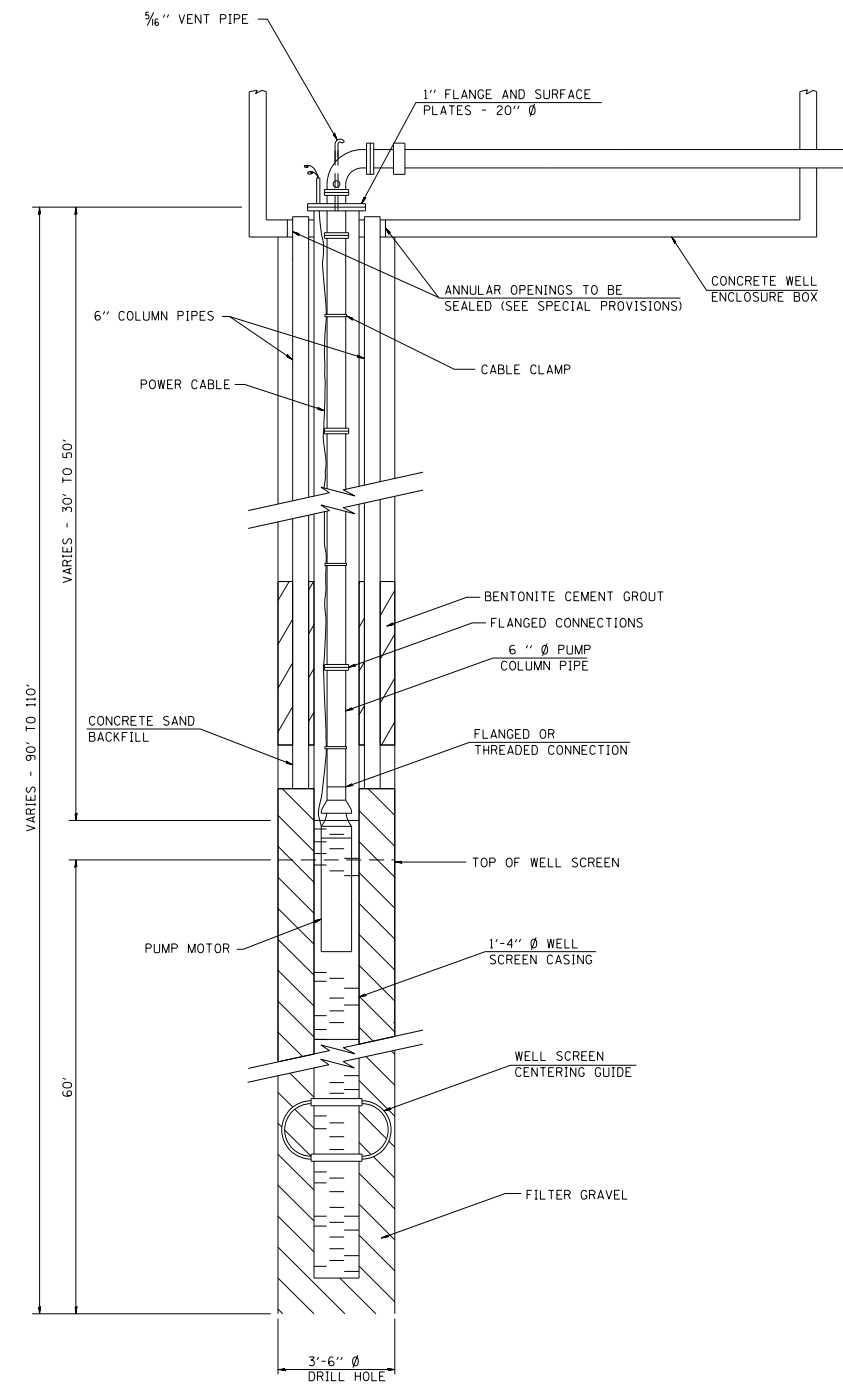
TYPICAL WELL DETAILS LOCATION 1

SCALE: SHEET OF SHEETS STA. TO STA.

F.A. RTE.	SECTION	COUNTY	TOTAL SHEETS	SHEET NO.
*	DIST 8 DEEP WELLS 2021-1	ST. CLAIR	10	9
* = VARIOUS		CONTRACT NO. 76M78		
		ILLINOIS FED. AID PROJECT		



WELL HEAD DETAIL



EXISTING

NOT TO SCALE

MODEL: Default
FILE: Model: Picuplanroom.dwg
PROJECT: 076M78-CA00Data/Electrical/076M78-elec.dwg

USER NAME = prestonme	DESIGNED -	REVISED -
PLOT SCALE = 100,0000' / in.	DRAWN -	REVISED -
PLOT DATE = 6/25/2020	CHECKED -	REVISED -
	DATE -	REVISED -

STATE OF ILLINOIS
DEPARTMENT OF TRANSPORTATION

TYPICAL WELL DETAILS LOCATION 2, 3, 4

SCALE: SHEET OF SHEETS STA. TO STA.

F.A. RTE.	SECTION	COUNTY	TOTAL SHEETS	SHEET NO.
*	DIST 8 DEEP WELLS 2021-1	ST. CLAIR	10	10
* = VARIOUS		CONTRACT NO. 76M78		
		ILLINOIS	FED. AID PROJECT	