

STATE	SECTION	COUNTY	TOTAL SHEETS	SHEET NO.
VAR.	2020-221-I	COOK	8	1
		ILLINOIS	CONTRACT NO. 62M98	

STATE OF ILLINOIS  
DEPARTMENT OF TRANSPORTATION

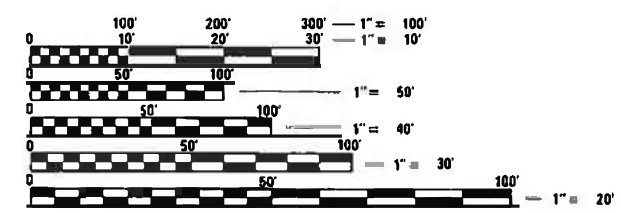
03-05-2021 LETTING ITEM 180

FOR INDEX OF SHEETS, SEE SHEET NO. 2

# PROPOSED HIGHWAY PLANS

ROUTE: VARIOUS DISTRICT ONE  
SECTION: 2020-221-I  
ARTERIAL HIGHWAY CLEANING (SWEEPING)  
COUNTY: COOK (SOUTH)  
C-91-019-21

0-91-020-21



FULL SIZE PLANS HAVE BEEN PREPARED USING STANDARD ENGINEERING SCALES. REDUCED SIZED PLANS WILL NOT CONFORM TO STANDARD SCALES. IN MAKING MEASUREMENTS ON REDUCED PLANS, THE ABOVE SCALES MAY BE USED.

J.U.L.I.E.  
JOINT UTILITY LOCATION INFORMATION FOR EXCAVATION  
1-800-892-0123  
OR 811

LOCATION MAPS - SEE INDEX OF SHEETS

PROJECT MANAGER: J. ALAIN MIDY (847) 221-3056

CONTRACT NO. 62M98

STATE OF ILLINOIS  
DEPARTMENT OF TRANSPORTATION

SUBMITTED August 24 2020  
*[Signature]* REGIONAL ENGINEER  
October 2, 2020  
*[Signature]*  
ENGINEER OF DESIGN AND ENVIRONMENT  
October 2, 2020  
*[Signature]*  
DIRECTOR OF HIGHWAYS PROJECT IMPLEMENTATION 13

PRINTED BY THE AUTHORITY  
OF THE STATE OF ILLINOIS

SweepingContract2017.dgn 8/24/2020 1:03:24 PM User:amidyja

F.A. RTE.	SECTION	COUNTY	TOTAL SHEETS	SHEET NO.
VAR.	2020-221-I	COOK	8	2
STA.		TO STA.		
FED. ROAD DIST. NO.	ILLINOIS	FED. AID PROJECT		

INDEX OF SHEETS

1. TITLE SHEET
2. INDEX OF SHEETS  
APPLICABLE STATE STANDARDS
3. SUMMARY OF QUANTITIES  
SCHEDULE OF CLEANING STARTING DATES
4. ARTERIAL TYPICAL SECTIONS
5. ARTERIAL CLEANING: COOK COUNTY  
HILLSIDE TEAM SECTION
6. ARTERIAL CLEANING: COOK COUNTY  
HARVEY TEAM SECTION
7. ARTERIAL CLEANING: COOK COUNTY  
ALSIP TEAM SECTION
8. TRAFFIC CONTROL AND PROTECTION FOR SIDE ROADS,  
INTERSECTIONS AND DRIVEWAYS (TC-10)

STATE STANDARDS

- |           |  |
|-----------|--|
| 701001-02 | OFF-ROAD OPERATION 2L, 2W, 15' MIN. AWAY FOR SPEEDS > 45 MPH                 |
| 701006-05 | OFF-ROAD OPERATION 2L, 2W, 15' TO PAVEMENT EDGE FOR SPEEDS > 45 MPH          |
| 701011-04 | OFF-ROAD MOVING OPERATION 2L, 2W, DAY ONLY                                   |
| 701301-04 | LANE CLOSURE, 2L 2W, SHORT TIME OPERATIONS                                   |
| 701311-03 | LANE CLOSURE, 2L 2W, MOVING OPERATIONS - DAY ONLY                            |
| 701411-09 | LANE CLOSURE, MULTILANE AT ENTERANCE/EXIT RAMP FOR SPEEDS > 45 MPH           |
| 701426-09 | LANE CLOSURE, MULTILANE INTERMITTENT OR MOVING OPERATION FOR SPEEDS > 45 MPH |
| 701427-05 | LANE CLOSURE, MULTILANE, INTERMITTENT OR MOVING OPERATIONS ≤ 40 MPH          |
| 701901-08 | TRAFFIC CONTROL DEVICES  |

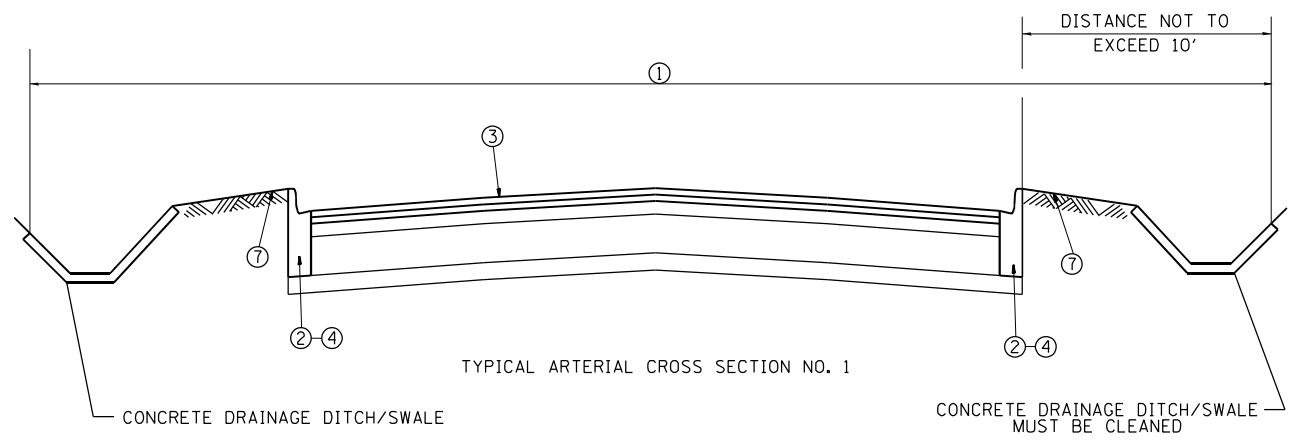
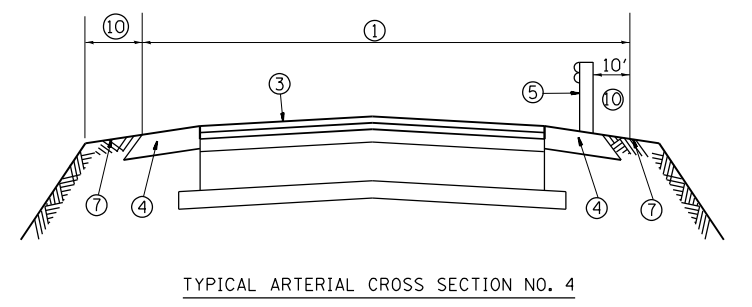
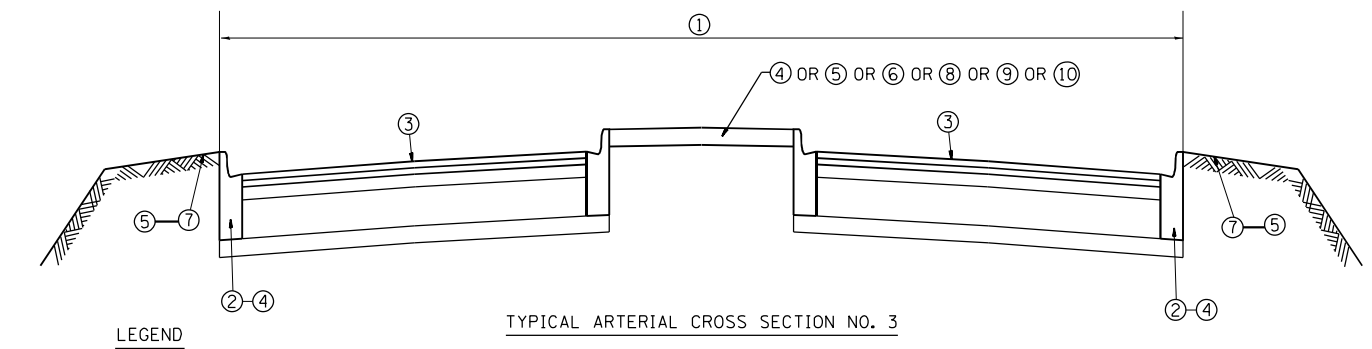
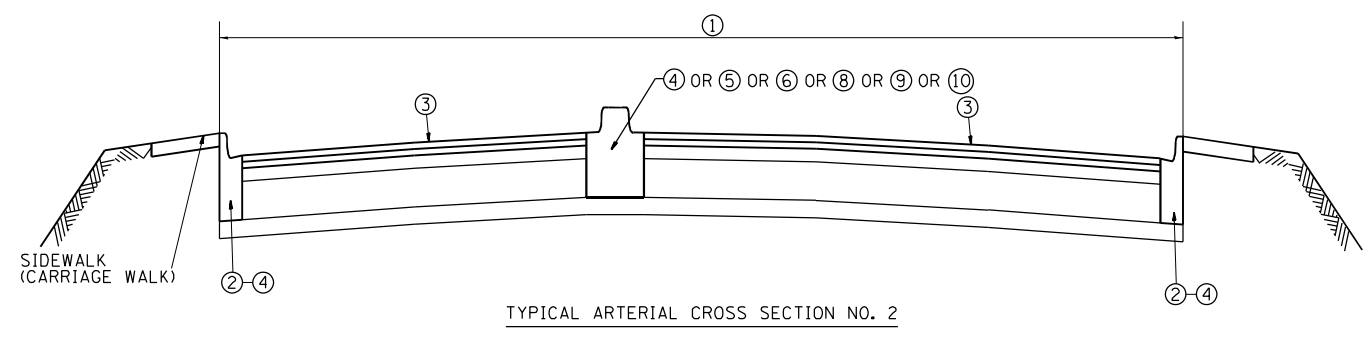
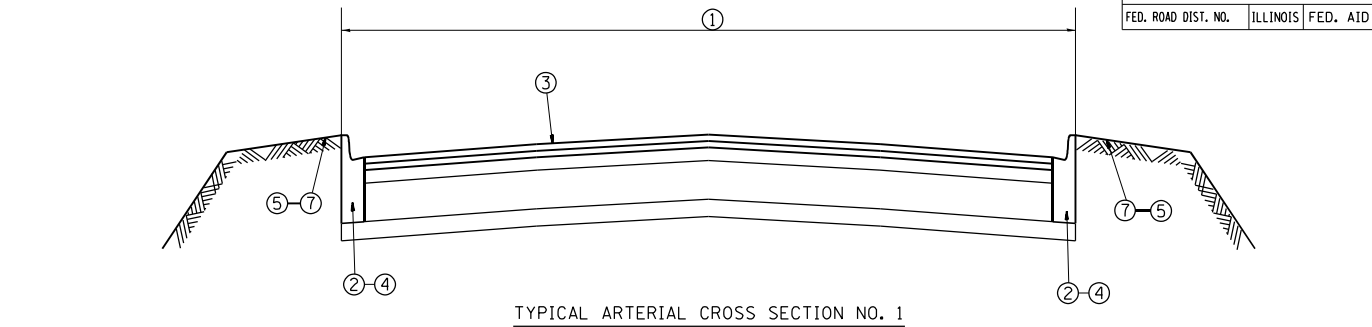
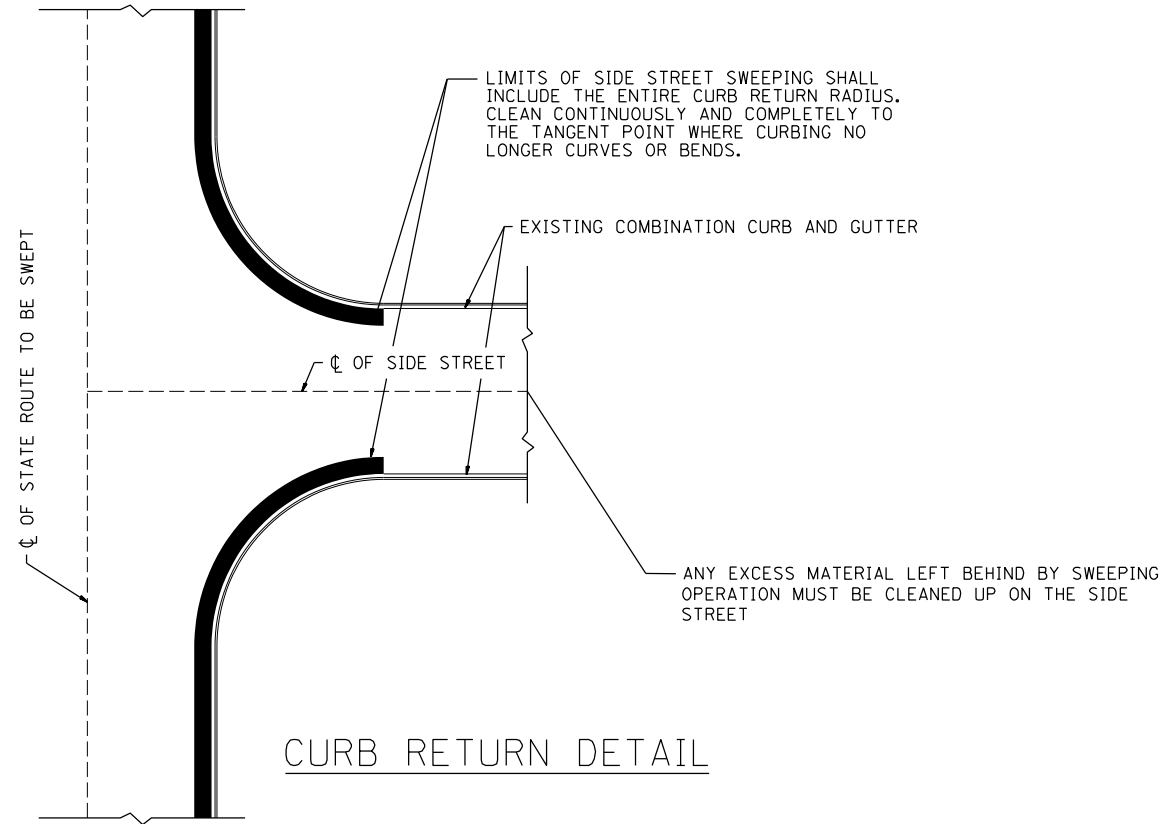
PLOT DATE = 8/26/2020  
 FILE NAME = p:\n\planner\com\do\illinois\gov\p\1001\Documents\1001\Office\District\1\Projects\Sweeping\Contracta\CAD\Drawings\Design\Contracta\Contracta2017.dgn  
 PLOT SCALE = 1/8"=1'-0"  
 USER NAME = mcdjup

REV-SEP

REVISIONS		ILLINOIS DEPARTMENT OF TRANSPORTATION
NAME	DATE	
		INDEX OF SHEETS AND STATE STANDARDS
SCALE:	VERT. / HORIZ.	DRAWN BY
DATE		CHECKED BY



RTE.	SECTION	COUNTY	TOTAL SHEETS	SHEET NO.
VAR.	2020-221-I	COOK	8	4
STA.		TO STA.		
FED. ROAD DIST. NO.	ILLINOIS	FED. AID PROJECT		



**LEGEND**

- ① AREA OF ROADWAY CLEANING AND RUBBISH REMOVAL
- ② CURB AND GUTTER
- ③ TRAVELED ROADWAY
- ④ STABILIZED SHOULDER OR MEDIAN
- ⑤ STEEL PLATE GUARDRAIL (SEE NOTE 1)
- ⑥ CONCRETE BARRIER
- ⑦ NON STABILIZED AREA
- ⑧ RAISED CONCRETE MEDIAN
- ⑨ ALL EXISTING TURF MEDIANS
- ⑩ LITTER PICKING

**NOTES:**

- 1) ALL LOCATIONS OF MEDIANS AND GUARDRAILS SHALL BE CLEANED OF ALL DEBRIS AND RUBBISH INCLUDING BUT NOT LIMITED TO DIRT, WEEDS, SAND, ROCKS, GRAVEL, CONCRETE, WOOD, LIMBS, LEAVES, GARBAGE & ANIMAL CARCASSES BY HAND LABORING UNDERNEATH AND 10 FEET BEHIND GUARDRAIL INCLUDING STABILIZED AND NON STABILIZED AREAS. THIS WORK SHALL BE CONSIDERED AS INCLUDED IN THE CONTRACT UNIT PRICE FOR ALL FULL CLEANING CYCLES.
- 2) SLOPE WALLS UNDER BRIDGES ARE NOT INCLUDED IN AREAS TO BE CLEANED.
- 3) ALL ARTERIAL INTERCHANGES, INTERSECTIONS, RAMPS AND CROSSOVERS SHALL BE CLEANED AND LITTER PICKED.
- 4) ALL PAVED DITCHES AND SPILLWAYS WITHIN 10' OF STABILIZED BASE SHALL BE CLEANED

REVISIONS	
NAME	DATE

ILLINOIS DEPARTMENT OF TRANSPORTATION  
EXPRESSWAY AND ARTERIAL HIGHWAY  
CLEANING (SWEEPING)

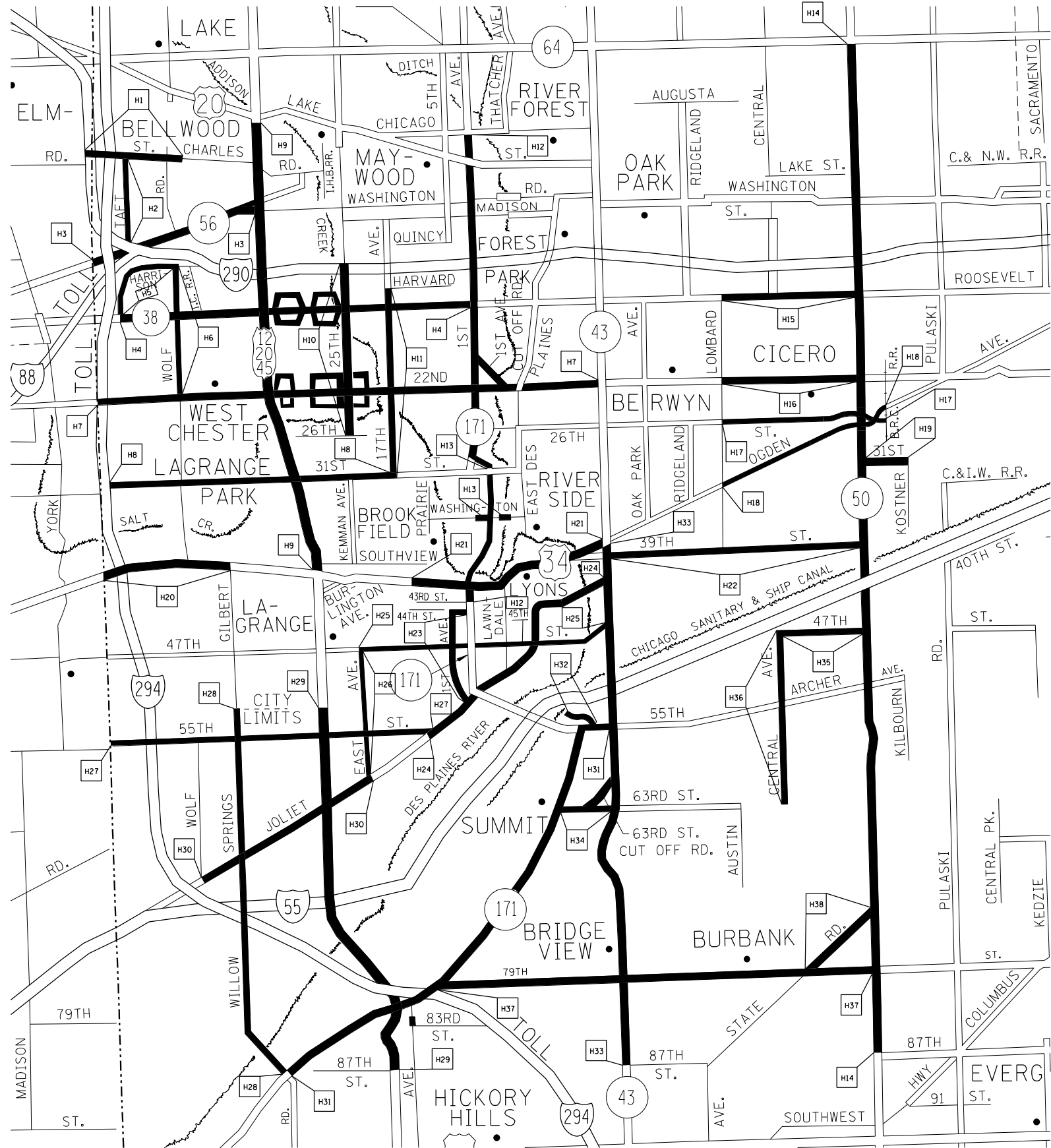
**TYPICAL  
ARTERIAL CROSS SECTIONS  
AND CURB RETURN DETAIL**

SCALE: VERT. \_\_\_\_\_  
HORIZ. \_\_\_\_\_

DATE \_\_\_\_\_ DRAWN BY \_\_\_\_\_  
CHECKED BY \_\_\_\_\_

PLOT DATE = 8/28/2020  
 FILE NAME = p:\albert\mcd\illinois\gov\p\1001\Documents\1001\Projects\Sweeping\Contracta\CADData\Design\SweepingContract2017.dgn  
 PLOT SCALE = 1/8"=1'-0"  
 USER NAME = mcdjup

F.A. RTE.	SECTION	COUNTY	TOTAL SHEETS	SHEET NO.
VAR.	2020-221-I	COOK	8	5
STA.		TO STA.		
FED. ROAD DIST. NO.	ILLINOIS	FED. AID PROJECT		



TEAM SECTION  
HILLSIDE

KEY LOCATIONS  
H1-H38

- DISTRICT NO. 1
- STATE HIGHWAYS & EXPRESSWAYS WITHIN STATE JURISDICTION (EXCEPT TOLLWAYS)
  - STATE HIGHWAYS & EXPRESSWAYS TO BE CLEANED
  - FUTURE HIGHWAYS
  - VARIOUS AGENCIES HIGHWAYS

REVISIONS	
NAME	DATE

ILLINOIS DEPARTMENT OF TRANSPORTATION

ARTERIAL CLEANING  
LOCATION MAP  
COOK COUNTY  
HILLSIDE TEAM SECTION

SCALE: VERT.  
HORIZ.

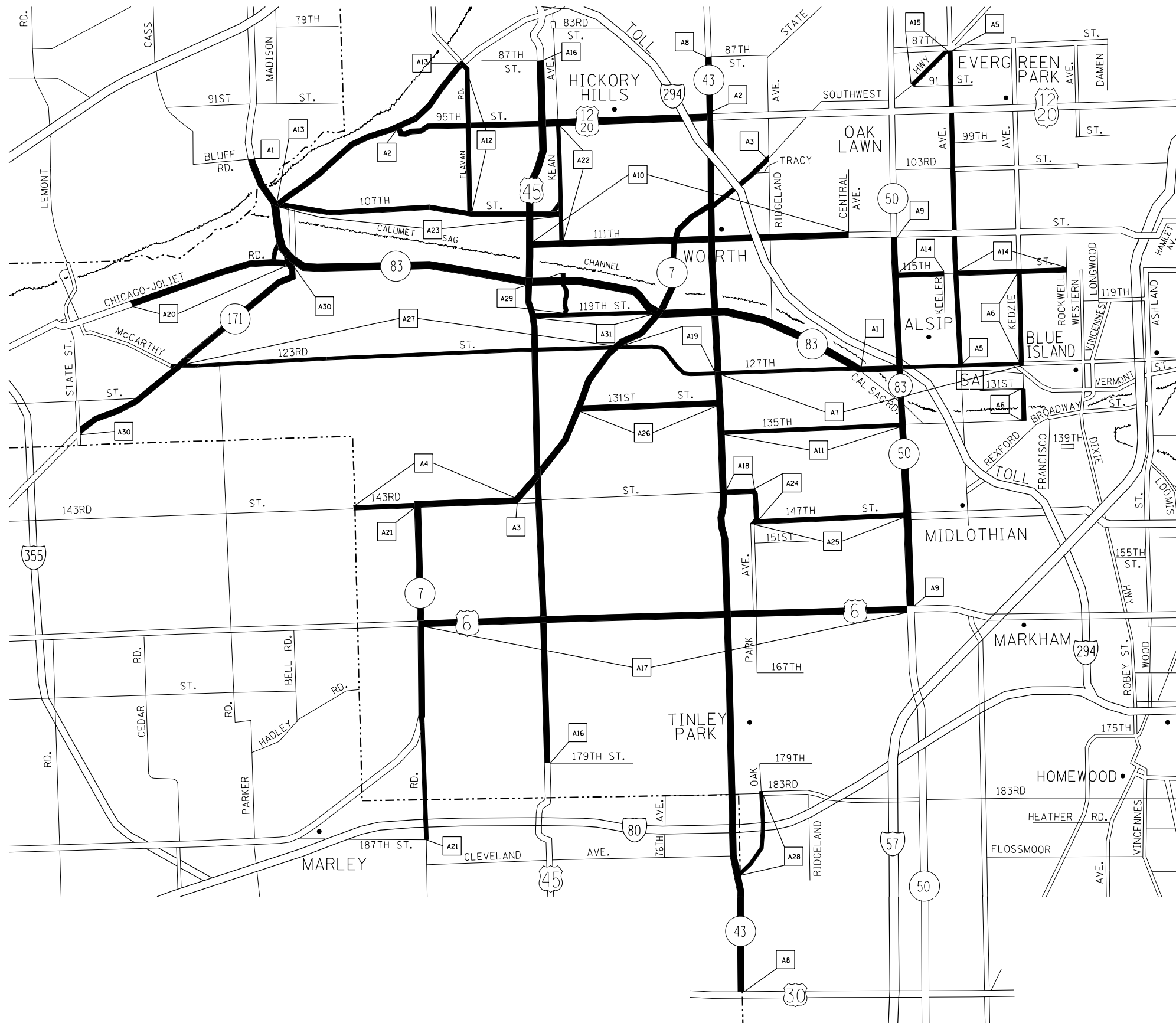
DATE

DRAWN BY  
CHECKED BY

PLOT DATE = 8/26/2020  
 FILE NAME = p:\v\p\enr\com\do\illinois\gov\p\m\001\Documents\ID01 Offices\District 1\Projects\Sweeping Contracts\CADData\Design\SweepingContract2017.dgn  
 PLOT SCALE = 1/85,8824 / in.  
 USER NAME = midup



F.A. RTE.	SECTION	COUNTY	TOTAL SHEETS	SHEET NO.
VAR.	2020-221-1	COOK	8	7
STA.		TO STA.		
FED. ROAD DIST. NO.	ILLINOIS	FED. AID PROJECT		



TEAM SECTION	KEY LOCATIONS
ALSIP	A1-A31

- DISTRICT NO. 1
- STATE HIGHWAYS & EXPRESSWAYS WITHIN STATE JURISDICTION (EXCEPT TOLLWAYS)
  - STATE HIGHWAYS & EXPRESSWAYS TO BE CLEANED
  - - - FUTURE HIGHWAYS
  - VARIOUS AGENCIES HIGHWAYS

REVISIONS	
NAME	DATE

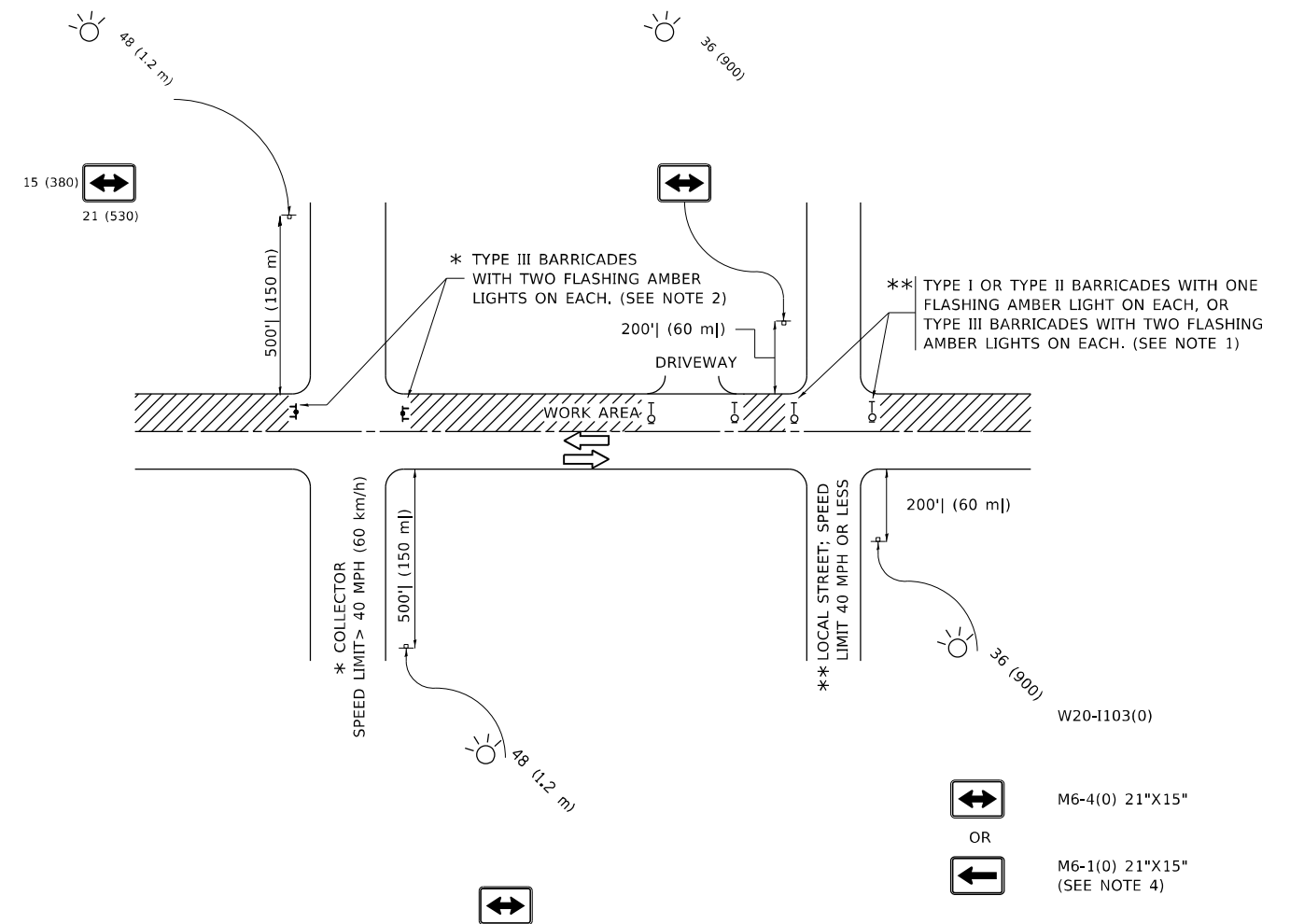
ILLINOIS DEPARTMENT OF TRANSPORTATION

ARTERIAL CLEANING  
LOCATION MAP  
COOK COUNTY  
ALSIP TEAM SECTION

SCALE: VERT.  
DATE:            HORIZ.

DRAWN BY  
CHECKED BY

PLOT DATE = 8/26/2020  
 FILE NAME = p:\projects\2020\2020\Illinois\goup\MDOT\Documents\1001\Projects\Sweeping\Contract\62M98\Design\SweepingContract2017.dgn  
 PLOT SCALE = 1/8" = 100'-0"  
 USER NAME = midup



**NOTES:**

1. SIDE ROAD WITH A SPEED LIMIT OF 40 MPH (60 km/h) OR LESS AS SHOWN ON THE DRAWING AND AS DIRECTED BY THE ENGINEER:
  - a) ONE "ROAD CONSTRUCTION AHEAD" SIGN 36 x 36 (900x900) WITH A FLASHER MOUNTED ON IT APPROXIMATELY 200' (60 m) IN ADVANCE OF THE MAIN ROUTE.
  - b) THE CLOSED PORTION OF THE MAIN ROUTE SHALL BE PROTECTED BY BLOCKING WITH TYPE I, TYPE II OR TYPE III BARRICADES, 1/3 OF THE CROSS SECTION OF THE CLOSED PORTION.
2. SIDE ROAD WITH A SPEED LIMIT GREATER THAN 40 MPH (60 km/h) AS SHOWN ON THE DRAWING AND AS DIRECTED BY THE ENGINEER:
  - a) ONE "ROAD CONSTRUCTION AHEAD" SIGN 48 x 48 (1.2 m x 1.2 m) WITH A FLASHER MOUNTED ON IT APPROXIMATELY 500' (150 m) IN ADVANCE OF THE MAIN ROUTE.
  - b) BLOCKING WITH TYPE III BARRICADES, 1/2 OF THE CROSS SECTION OF THE CLOSED PORTION.
3. CONES MAY BE SUBSTITUTED FOR BARRICADES OR DRUMS AT HALF THE SPACING DURING DAY OPERATIONS. CONES SHALL BE A MINIMUM OF 28 (710) IN HEIGHT.
4. SIGNING AND THE WORK ZONE, A SINGLE HEADED ARROW (M6-1) SHALL BE USED IN LIEU OF THE DOUBLE HEADED ARROW (M6-4).
5. WHEN WORK IS BEING PERFORMED ON A SIDE ROAD OR DRIVEWAY, FOLLOW THE APPLICABLE STANDARD(S). THE DIRECTIONAL ARROW (M6-1 OR M6-4) SHALL BE COVERED OR REMOVED WHEN NO LONGER CONSISTENT WITH THE TRAFFIC CONTROL SET-UP.
6. ADVANCE WARNING SIGNS ARE TO BE OMITTED ON DRIVEWAYS UNLESS OTHERWISE SPECIFIED IN THE PLANS OR BY THE ENGINEER.
7. THE TRAFFIC CONTROL AND PROTECTION FOR SIDE ROADS, INTERSECTIONS, AND DRIVEWAYS SHALL BE INCLUDED IN THE COST OF SPECIFIED TRAFFIC CONTROL STANDARDS OR ITEMS.

All dimensions are in inches (millimeters) unless otherwise shown.

MODEL: Default  
 FILE NAME: p:\m\m\room.dwg  
 PROJECT: 2020-221-1  
 OFFICE: IDOT  
 CONTRACT: 62M98

USER NAME = mldyja	DESIGNED - L.H.A.	REVISED - A. HOUSEH 10-15-96
PLOT SCALE = 100,0000' / in.	CHECKED -	REVISED - T. RAMMACHER 01-06-00
PLOT DATE = 8/26/2020	DATE - 06-89	REVISED - A. SCHUETZE 07-01-13
		REVISED - A. SCHUETZE 09-15-16

**STATE OF ILLINOIS  
DEPARTMENT OF TRANSPORTATION**

**TRAFFIC CONTROL AND PROTECTION FOR  
SIDE ROADS, INTERSECTIONS, AND DRIVEWAYS**

SCALE: NONE SHEET 1 OF 1 SHEETS STA. TO STA.

F.A. RTE.	SECTION	COUNTY	TOTAL SHEETS	SHEET NO.
	2020-221-1	COOK	8	8
<b>TC-10</b>			CONTRACT NO. 62M98	
ILLINOIS FED. AID PROJECT				