

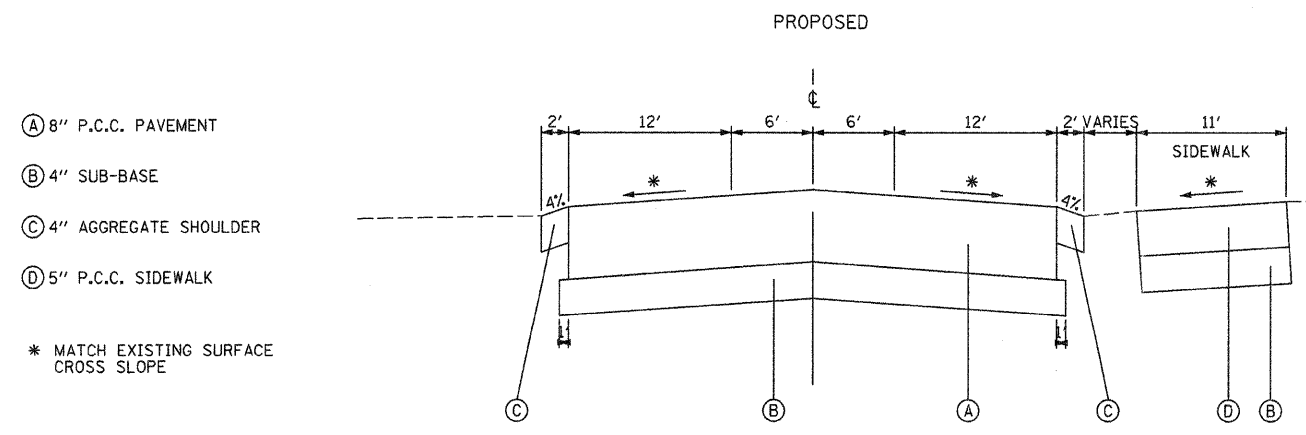
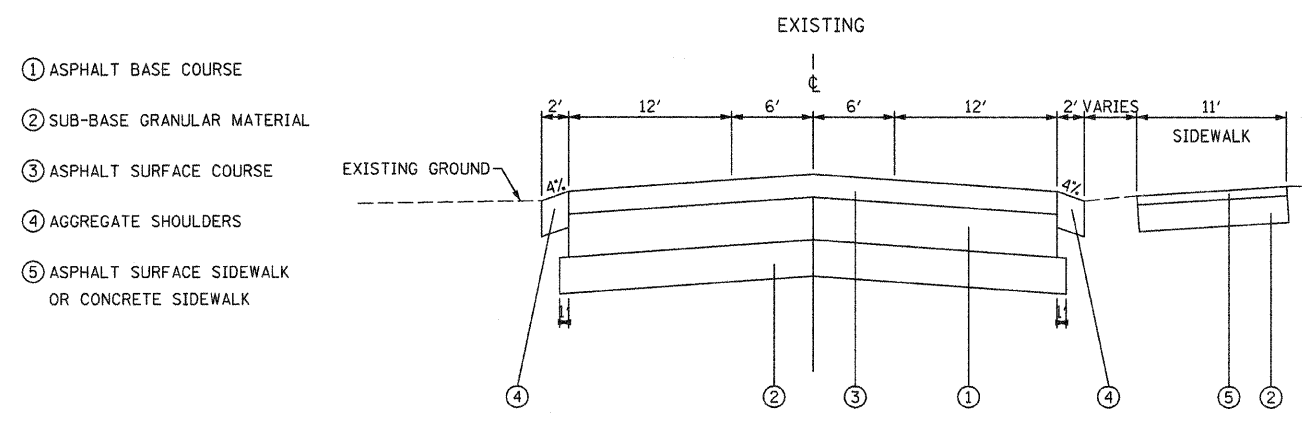
SUMMARY OF QUANTITIES			
CODE #	PAY ITEM	UNITS	TOTAL
20200100	EARTH EXCAVATION	CU YD	14
20800150	TRENCH BACKFILL	CU YD	31
25000100	SEEDING, CLASS 1	ACRE	0.2
25000400	NITROGEN FERTILIZER NUTRIENT	POUND	15
25000500	PHOSPHORUS FERTILIZER NUTRIENT	POUND	15
25000600	POTASSIUM FERTILIZER NUTRIENT	POUND	15
25000700	AGRICULTURAL GROUND LIMESTONE	TON	0.3
28000400	PERIMETER EROSION BARRIER	FOOT	762
28000500	INLET AND PIPE PROTECTION	EACH	2
31101200	SUB-BASE GRANULAR MATERIAL, TYPE B 4"	SQ YD	64
42000300	PORTLAND CEMENT CONCRETE PAVEMENT 8"	SQ YD	25
42001200	PAVEMENT FABRIC	SQ YD	25
42400200	PORTLAND CEMENT CONCRETE SIDEWALK 5 INCH	SQ FT	336
44000100	PAVEMENT REMOVAL	SQ YD	25
44000600	SIDEWALK REMOVAL	SQ FT	336
48101200	AGGREGATE SHOULDERS, TYPE B	TON	0.6
54215412	CAST-IN-PLACE REINFORCED CONCRETE END SECTIONS 12"	EACH	1
67100100	MOBILIZATION	L SUM	1
70103720	TRAFFIC CONTROL FOR SIDE ROADS AND INTERSECTIONS	L SUM	1
X0322033	STORM SEWER (WATER MAIN REQUIREMENTS) 12 INCH	FOOT	456
60220400	MANHOLES, TYPE A, SPECIAL, 4' DIAMETER, TYPE 1 FRAME, CLOSED LID	EACH	1
60203205	CATCH BASINS, TYPE A, SPECIAL, 4' DIAMETER, TYPE 8 GRATE	EACH	2

SEEDING SCHEDULE					
LOCATION (STATION TO STATION)	SEEDING CL 1	NITROGEN FERT NUTR	PHOSPHORUS FERT NUTR	POTASSIUM FERT NUTR	AGR GROUND LIMESTONE
	(ACRE)	(LBS.)	(LBS.)	(LBS.)	(TON)
LT. 2+17	0.07	6.3	6.3	6.3	0.14
RT 2+17 TO RT 40+68	0.10	9.0	9.0	9.0	0.2
TOTAL =	0.17	15.3	15.3	15.3	0.34

EARTH EXCAVATION	
LOCATION (STATION TO STATION)	VOLUME (CU. YD.)
LT 2+17	10
RT 2+17	4
TOTAL =	14

DRAINAGE SCHEDULE							
LOCATION	STORM SEW (W/TA MAIN REQ) 12"	CB TA 4' DIA T8G SPEC	4' DIA MANHOLE TA TIF&G SPEC	CIP RC END SEC 12"	TRENCH BACKFILL	PERIMETER EROS BAR	INLET AND PIPE PROTECT
	(FOOT)	(EACH)	(EACH)	(EACH)	(CU YD)	(FOOT)	(EACH)
2+17.00, 25.00' RT		1					1
2+17.00, 30.00' LT		1					1
2+17.00, 21.00' LT TO 2+17.00, 21.00' RT					8		
2+17.00, 30.00' LT TO 2+17.00, 25.00' RT	54						
40+68.00, 60.00' RT				1			
40+68.00, 60.00' RT TO 42+39.00, 37.00' RT	166		1				
40+73.00, 45.00' RT TO 44+38.00, 5.00' RT						367	
40+77.00, 75.00' RT TO 44+40.00, 35.00' RT						365	
41+71.00, 46.00' RT TO 41+96.00, 43.00' RT	236				18		
42+39.00, 37.00' RT TO 2+17.00, 25.00' RT					5		
44+38.00, 20.00' RT TO 44+53.00, 19.00' RT							
44+38.00, 5.00' RT TO 44+40.00, 35.00' RT						30	
TOTAL =	456	2	1	1	31	762	2

PAVING SCHEDULE							
LOCATION	PAVEMENT REMOVAL	8" PCC PAVEMENT	PAVEMENT FABRIC	4" SUB-BASE TYPE B	AGGREGATE SHOULDERS	SIDEWALK REMOVAL	PCC SIDEWALK 5"
	(SQ YD)	(SQ YD)	(SQ YD)	(SQ YD)	TON	(SQ FT)	(SQ FT)
2+17.00, 19.00' LT TO 2+17.00, 19.00' RT	25	25	25	27	0.6		
44+40 RT TO 44+51 RT				7		66	66
42+08 RT TO 41+57 RT				30		270	270
TOTAL =	25	25	25	64	0.6	336	336



MOBILIZATION	
LOCATION	QUANTITY (LSUM)
ENTIRE PROJECT	1 LSUM
TOTAL =	1 LSUM

TRAFFIC CONTROL	
LOCATION	TRAFFIC CONTROL FOR SIDE ROADS & INTERSECTIONS (LSUM)
ENTIRE SECTION	1 LSUM
TOTAL =	1 LSUM

JOB NO. 250-081-F VASCONCELLES ENGINEERING CORP. DESIGN FIRM REGISTRATION NUMBER 184-002107