

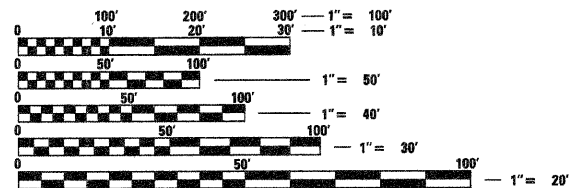
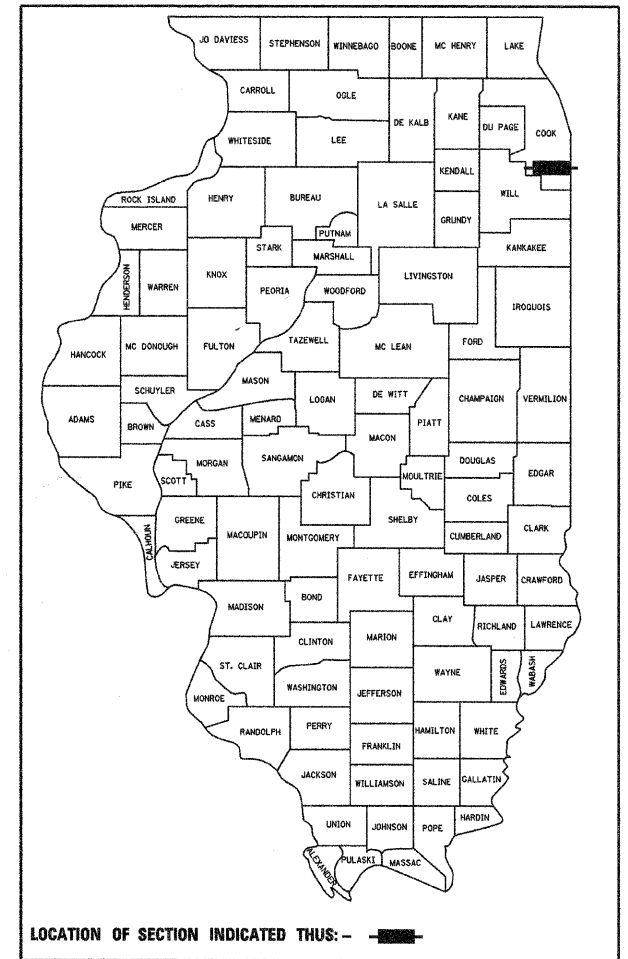
STATE OF ILLINOIS  
 DEPARTMENT OF TRANSPORTATION  
 DIVISION OF HIGHWAYS

**PROPOSED  
 HIGHWAY PLANS**

IDOT / IDNR STATEWIDE  
**SECTION: WILLIAM W. POWERS  
 REC AREA  
 DRAINAGE IMPROVEMENTS  
 COOK COUNTY  
 C-30-044-08**

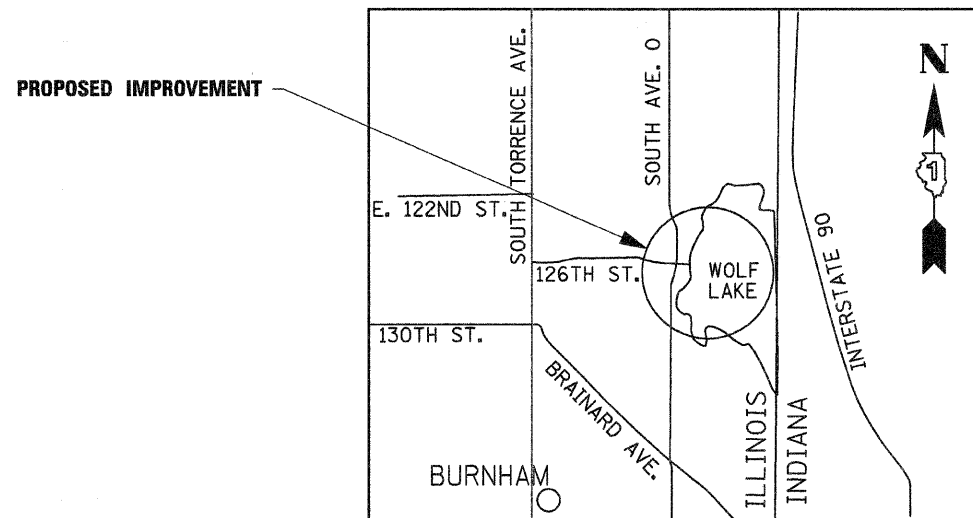
F.A. RTE.	SECTION	COUNTY	TOTAL SHEETS	SHEET NO.
		COOK	5	1
FED. ROAD DIST. NO.	ILLINOIS	CONTRACT NO. 44998		

FOR INDEX OF SHEETS, SEE SHEET NO. 2



FULL SIZE PLANS HAVE BEEN PREPARED USING STANDARD ENGINEERING SCALES. REDUCED SIZED PLANS WILL NOT CONFORM TO STANDARD SCALES. IN MAKING MEASUREMENTS ON REDUCED PLANS, THE ABOVE SCALES MAY BE USED.

J.U.L.I.E.  
 JOINT UTILITY LOCATION INFORMATION FOR EXCAVATION  
 1-800-892-0123  
 OR 811



ROBERT H. DALL  
 062-033985  
 LICENSED PROFESSIONAL ENGINEER OF ILLINOIS  
 5/28/08

STATE OF ILLINOIS  
 DEPARTMENT OF TRANSPORTATION  
 DIVISION OF HIGHWAYS

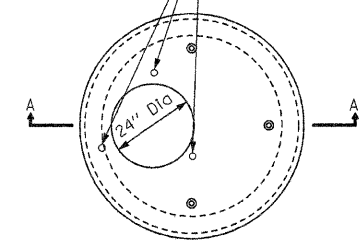
SUBMITTED January 8, 2009  
Eric E. Harm  
 DEPUTY DIRECTOR OF HIGHWAYS, REGION ENGINEER

January 30, 2009  
Charles J. Engersoll  
 ENGINEER OF DESIGN AND ENVIRONMENT

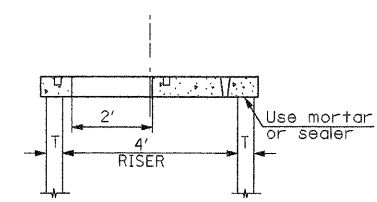
January 30, 2009  
Christine M. Reed  
 DIRECTOR OF HIGHWAYS, CHIEF ENGINEER

**PRINTED BY THE AUTHORITY  
 OF THE STATE OF ILLINOIS**

HOLES AND ANCHORS TO BE PLACED IN ACCORDANCE WITH TAMPER PROOF SYSTEM MANUFACTURER'S RECOMMENDATIONS

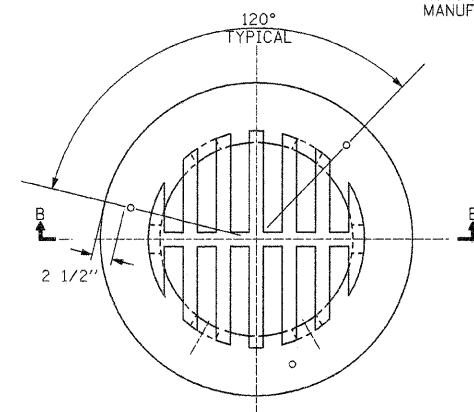


FLAT SLAB TOP

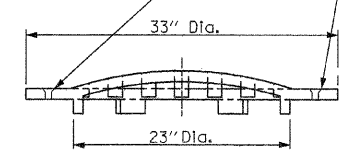


SECTION A-A

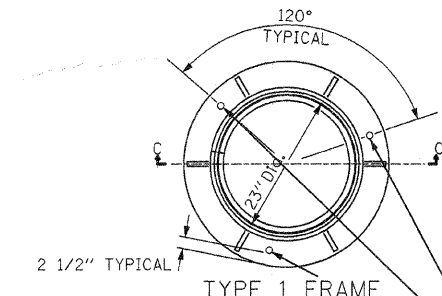
DRILLED HOLES FOR STAINLESS STEEL SOCKET PIN-HEAD, FLAT HEAD TAMPER PROOF SCREWS, THE HOLES SHALL BE DRILLED IN ACCORDANCE WITH THE TAMPER PROOF SYSTEM MANUFACTURER'S RECOMMENDATIONS



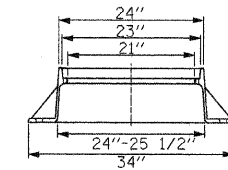
TYPE 8 GRATE



SECTION B-B

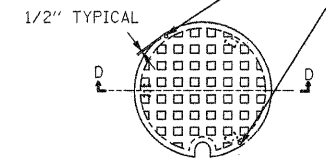


TYPE 1 FRAME

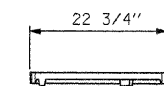


SECTION C-C  
Gray Iron

DRILLED HOLES FOR STAINLESS STEEL SOCKET PIN-HEAD, FLAT HEAD TAMPER PROOF SCREWS, THE HOLES SHALL BE DRILLED IN ACCORDANCE WITH THE TAMPER PROOF SYSTEM MANUFACTURER'S RECOMMENDATIONS



TYPE 1 CLOSED LID  
Gray Iron Lid



SECTION D-D

TAMPER PROOF FRAMES, LIDS, AND GRATES

LIST OF STANDARDS

- 420001-07 PAVEMENT JOINTS
- 420601-05 PCC PAVEMENT
- 420701-02 PAVEMENT FABRIC
- 542001-02 REINFORCED CONCRETE END SECTIONS WITH PARALLEL WINGWALLS
- 602001-01 CATCH BASIN TYPE A
- 602401-02 MANHOLE TYPE A
- 602601-02 PRECAST REINFORCED CONCRETE FLAT SLAB TOP
- 602701-02 MANHOLE STEPS
- 604001-03 FRAME AND LIDS TYPE I
- 604036-02 GRATE TYPE 8
- 701901-01 TRAFFIC CONTROL DEVICES

INDEX OF SHEETS

SHEET NO.	SHEET TITLE
1	COVER SHEET
2	INDEX OF SHEETS, LIST OF STANDARDS, DETAILS AND GENERAL NOTES
3	SUMMARY/SCHEDULE OF QUANTITIES
4	OVERALL PLAN SHEET
5	EROSION CONTROL PLAN

GENERAL NOTES

- 1) ALL ELEVATIONS ARE REFERENCED TO CITY OF CHICAGO DATUM ESTABLISHED BY VASCONCELLES ENGINEERING CORP.
- 2) WHERE SECTION OR SUBSECTION MONUMENTS ARE ENCOUNTERED, THE ENGINEER SHALL BE NOTIFIED BEFORE SUCH MONUMENTS ARE REMOVED. THE CONTRACTOR SHALL PROTECT AND CAREFULLY PRESERVE ALL PROPERTY MARKERS AND MONUMENTS UNTIL THE OWNER AND AUTHORIZED SURVEYOR OR AGENT HAS WITNESSED OR OTHERWISE REFERENCED THEIR LOCATION. IF THE ENGINEER DECIDES TO HAVE THE CONTRACTOR RESET THE MONUMENT, THIS WORK WILL BE PAID FOR IN ACCORDANCE WITH ARTICLE 109.04.
- 3) THE CONTRACTOR SHALL CONTACT DIGGER (312) 744-7000 PRIOR TO ANY EXCAVATION TO HAVE ALL PUBLIC AND PRIVATE UTILITIES LOCATED.
- 4) THE CONTRACTOR SHALL BE RESPONSIBLE FOR PROTECTING UTILITY PROPERTY FROM CONSTRUCTION OPERATIONS AS OUTLINED IN ARTICLE 107.26 OF THE STANDARD SPECIFICATIONS. THE DIGGER NUMBER IS (312) 744-7000. A MINIMUM OF 48 HOURS ADVANCE NOTICE IS REQUIRED. SEE SPECIAL PROVISIONS FOR STATUS OF UTILITIES, WITH UTILITY COMPANIES LISTED.
- 5) ANY REFERENCE TO THE STANDARDS THROUGHOUT THE PLANS SHALL BE INTERPRETED TO BE THE LATEST STANDARDS OF THE DEPARTMENT AS INCLUDED IN THE PLANS.
- 6) ALL DETAILS IN THE PLANS SHALL GOVERN CONSTRUCTION OF THIS PROJECT, AND IN CASE OF CONFLICT WITH ANY STANDARD DRAWINGS INCLUDED, THE SAID DETAILS SHALL TAKE PRECEDENCE AND GOVERN.

FILE NAME =	USER NAME = #USER#	DESIGNED - T.T.P.	REVISED -
#FILE#		DRAWN - S.D.K.	REVISED -
	PLOT SCALE = #SCALE#	CHECKED - T.T.P.	REVISED -
	PLOT DATE = #DATE#	DATE - 5/12/08	REVISED -

STATE OF ILLINOIS  
DEPARTMENT OF TRANSPORTATION

INDEX OF SHEETS, LIST OF STANDARDS, DETAILS & GENERAL NOTES  
WILLIAM W. POWERS STATE RECREATION AREA

SCALE:	SHEET NO. OF SHEETS	STA. TO STA.
--------	---------------------	--------------

F.A. RTE.	SECTION	COUNTY	TOTAL SHEETS	SHEET NO.
		COOK	5	2
CONTRACT NO. 44998				
FED. ROAD DIST. NO.		ILLINOIS FED. AID PROJECT		

JOB NO. 250-061-F VASCONCELLES ENGINEERING CORP. DESIGN FIRM REGISTRATION NUMBER 184-002107

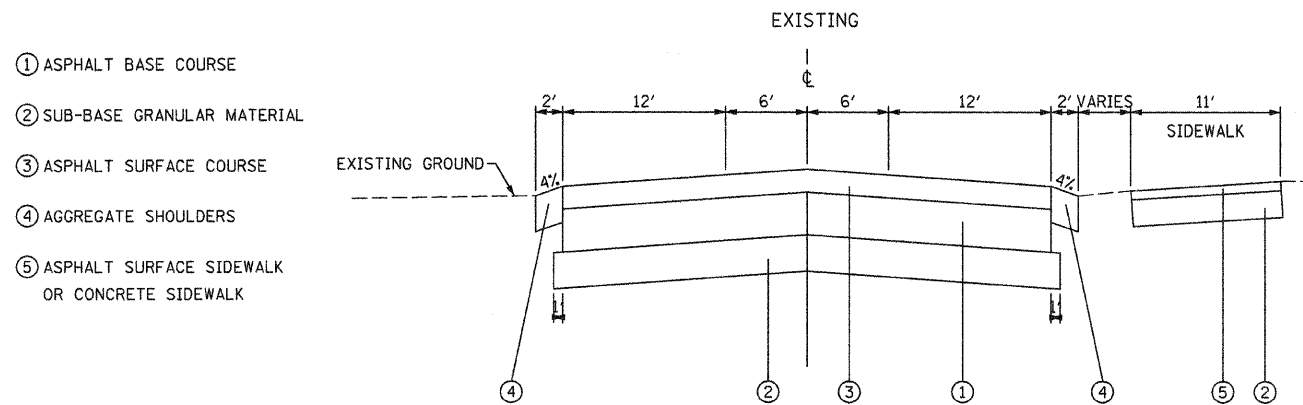
SUMMARY OF QUANTITIES			
CODE #	PAY ITEM	UNITS	TOTAL
20200100	EARTH EXCAVATION	CU YD	14
20800150	TRENCH BACKFILL	CU YD	31
25000100	SEEDING, CLASS 1	ACRE	0.2
25000400	NITROGEN FERTILIZER NUTRIENT	POUND	15
25000500	PHOSPHORUS FERTILIZER NUTRIENT	POUND	15
25000600	POTASSIUM FERTILIZER NUTRIENT	POUND	15
25000700	AGRICULTURAL GROUND LIMESTONE	TON	0.3
28000400	PERIMETER EROSION BARRIER	FOOT	762
28000500	INLET AND PIPE PROTECTION	EACH	2
31101200	SUB-BASE GRANULAR MATERIAL, TYPE B 4"	SQ YD	64
42000300	PORTLAND CEMENT CONCRETE PAVEMENT 8"	SQ YD	25
42001200	PAVEMENT FABRIC	SQ YD	25
42400200	PORTLAND CEMENT CONCRETE SIDEWALK 5 INCH	SQ FT	336
44000100	PAVEMENT REMOVAL	SQ YD	25
44000600	SIDEWALK REMOVAL	SQ FT	336
48101200	AGGREGATE SHOULDERS, TYPE B	TON	0.6
54215412	CAST-IN-PLACE REINFORCED CONCRETE END SECTIONS 12"	EACH	1
67100100	MOBILIZATION	L SUM	1
70103720	TRAFFIC CONTROL FOR SIDE ROADS AND INTERSECTIONS	L SUM	1
X0322033	STORM SEWER (WATER MAIN REQUIREMENTS) 12 INCH	FOOT	456
60220400	MANHOLES, TYPE A, SPECIAL, 4' DIAMETER, TYPE 1 FRAME, CLOSED LID	EACH	1
60203205	CATCH BASINS, TYPE A, SPECIAL, 4' DIAMETER, TYPE 8 GRATE	EACH	2

SEEDING SCHEDULE					
LOCATION (STATION TO STATION)	SEEDING CL 1	NITROGEN FERT NUTR	PHOSPHORUS FERT NUTR	POTASSIUM FERT NUTR	AGR GROUND LIMESTONE
	(ACRE)	(LBS.)	(LBS.)	(LBS.)	(TON)
LT. 2+17	0.07	6.3	6.3	6.3	0.14
RT 2+17 TO RT 40+68	0.10	9.0	9.0	9.0	0.2
TOTAL =	0.17	15.3	15.3	15.3	0.34

EARTH EXCAVATION	
LOCATION (STATION TO STATION)	VOLUME (CU. YD.)
LT 2+17	10
RT 2+17	4
TOTAL =	14

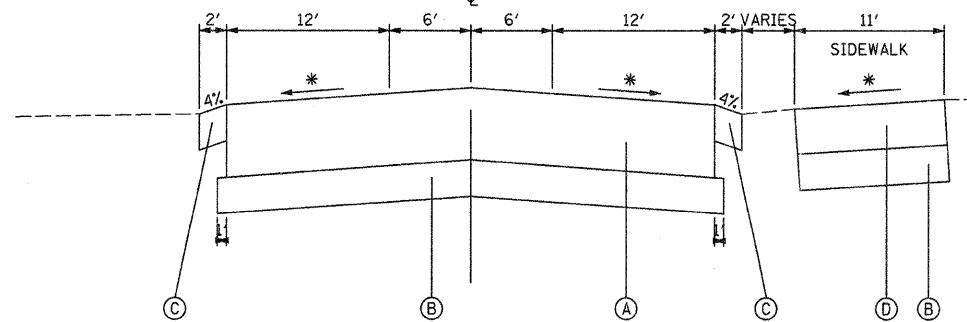
DRAINAGE SCHEDULE							
LOCATION	STORM SEW (W/TA MAIN REQ) 12"	CB TA 4' DIA T8G SPEC	4' DIA MANHOLE TA TIF&G SPEC	CIP RC END SEC 12"	TRENCH BACKFILL	PERIMETER EROS BAR	INLET AND PIPE PROTECT
	(FOOT)	(EACH)	(EACH)	(EACH)	(CU YD)	(FOOT)	(EACH)
2+17.00, 25.00' RT		1					1
2+17.00, 30.00' LT		1					1
2+17.00, 21.00' LT TO 2+17.00, 21.00' RT					8		
2+17.00, 30.00' LT TO 2+17.00, 25.00' RT	54						
40+68.00, 60.00' RT				1			
40+68.00, 60.00' RT TO 42+39.00, 37.00' RT	166		1				
40+73.00, 45.00' RT TO 44+38.00, 5.00' RT						367	
40+77.00, 75.00' RT TO 44+40.00, 35.00' RT						365	
41+71.00, 46.00' RT TO 41+96.00, 43.00' RT	236				18		
42+39.00, 37.00' RT TO 2+17.00, 25.00' RT					5		
44+38.00, 20.00' RT TO 44+53.00, 19.00' RT							
44+38.00, 5.00' RT TO 44+40.00, 35.00' RT						30	
TOTAL =	456	2	1	1	31	762	2

PAVING SCHEDULE							
LOCATION	PAVEMENT REMOVAL	8" PCC PAVEMENT	PAVEMENT FABRIC	4" SUB-BASE TYPE B	AGGREGATE SHOULDERS	SIDEWALK REMOVAL	PCC SIDEWALK 5"
	(SQ YD)	(SQ YD)	(SQ YD)	(SQ YD)	TON	(SQ FT)	(SQ FT)
2+17.00, 19.00' LT TO 2+17.00, 19.00' RT	25	25	25	27	0.6		
44+40 RT TO 44+51 RT				7		66	66
42+08 RT TO 41+57 RT				30		270	270
TOTAL =	25	25	25	64	0.6	336	336



- ① ASPHALT BASE COURSE
- ② SUB-BASE GRANULAR MATERIAL
- ③ ASPHALT SURFACE COURSE
- ④ AGGREGATE SHOULDERS
- ⑤ ASPHALT SURFACE SIDEWALK OR CONCRETE SIDEWALK

PROPOSED



- A 8" P.C.C. PAVEMENT
- B 4" SUB-BASE
- C 4" AGGREGATE SHOULDER
- D 5" P.C.C. SIDEWALK

\* MATCH EXISTING SURFACE CROSS SLOPE

MOBILIZATION	
LOCATION	QUANTITY (LSUM)
ENTIRE PROJECT	1 LSUM
TOTAL =	1 LSUM

TRAFFIC CONTROL	
LOCATION	TRAFFIC CONTROL FOR SIDE ROADS & INTERSECTIONS (LSUM)
ENTIRE SECTION	1 LSUM
TOTAL =	1 LSUM

FILE NAME =	USER NAME = #USER#	DESIGNED - R.H.D.	REVISED -
#FILE#		DRAWN - S.D.K.	REVISED -
	PLOT SCALE = #SCALE#	CHECKED - R.H.D.	REVISED -
	PLOT DATE = #DATE#	DATE - 5/12/08	REVISED -

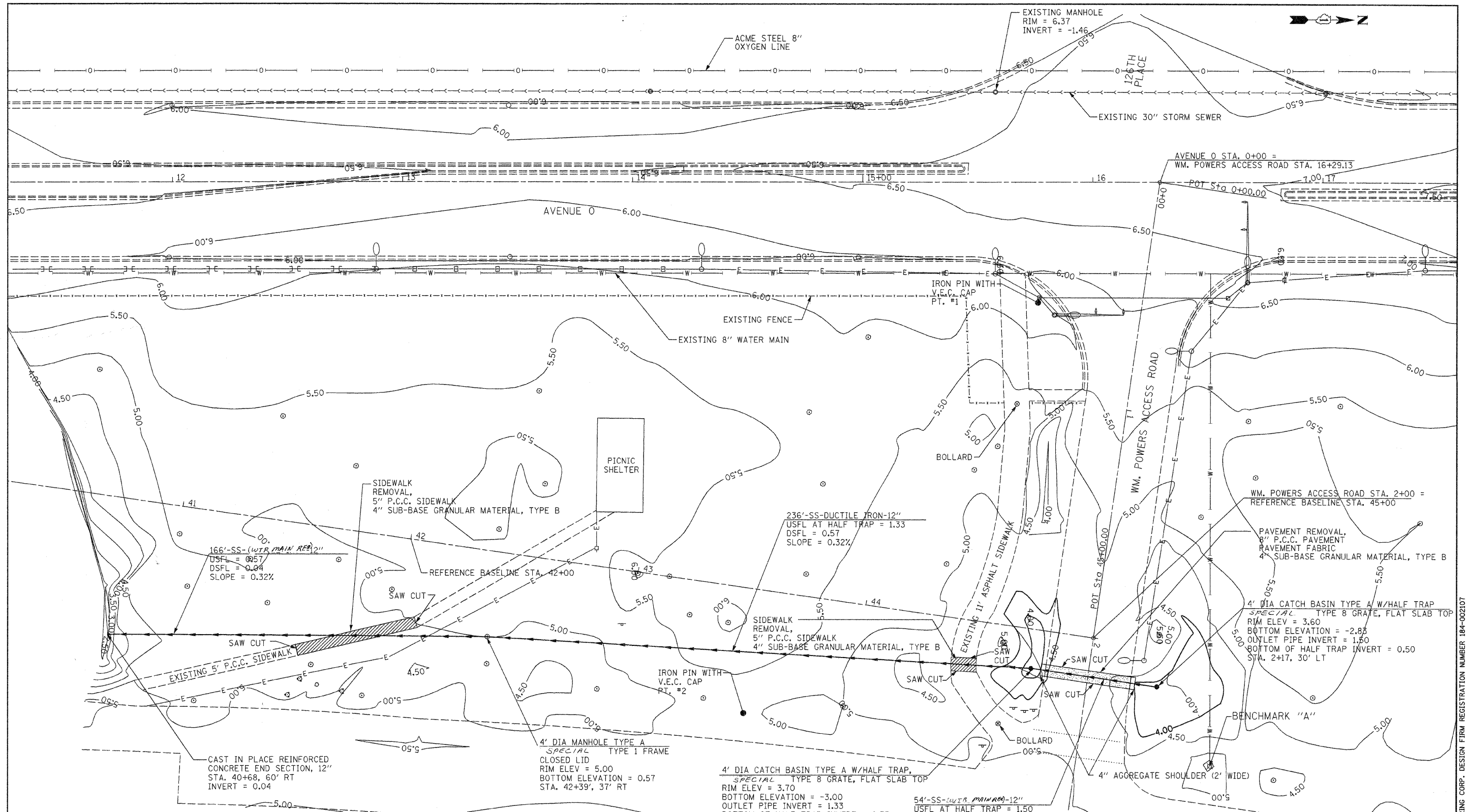
STATE OF ILLINOIS  
DEPARTMENT OF TRANSPORTATION

SUMMARY/SCHEDULE OF QUANTITIES  
WILLIAM W. POWERS STATE RECREATION AREA

SCALE: SHEET NO. OF SHEETS STA. TO STA.

F.A. RTE.	SECTION	COUNTY	TOTAL SHEETS	SHEET NO.
		COOK	5	3
FED. ROAD DIST. NO.			ILLINOIS FED. AID PROJECT	
			CONTRACT NO. 44998	

JOB NO. 250-081-F VASCONCELLES ENGINEERING CORP. DESIGN FIRM REGISTRATION NUMBER 184-002107



COORDINATE TABLE		
STATION/PT.#	NORTHING	EASTING
V.E.C. PT#1	5000.00	5000.00
V.E.C. PT#2	4872.01	5178.38
AVE.O STA. 0+00	5052.84	4947.70
REF. BASELINE STA. 45+00	5024.28	5145.65
REF. BASELINE STA. 42+00	4727.35	5102.81

BENCHMARK "A": CHISELED "□" IN WEST SIDE OF DRINKING FOUNTAIN PAD LOCATED AT THE NORTHWEST CORNER OF INTERSECTION EAST OF ENTRANCE TO PARK AT 126TH PLACE.

CITY OF CHICAGO MARKED CUT AT SOUTHWEST CORNER AND TOP OF DRAINAGE CHANNEL CULVERT HEADWALL NORTHWESTERLY OF CINDERBLOCK LAVATORY BUILDING IN WOLF LAKE FOREST PRESERVE RECREATIONAL AREA.

ELEVATION = 5.206

ELEVATION = 4.936

FILE NAME =	USER NAME = #USER#	DESIGNED - R.H.D.	REVISED -
#FILE#		DRAWN - S.D.K.	REVISED -
	PLOT SCALE = #SCALE#	CHECKED - R.H.D.	REVISED -
	PLOT DATE = #DATE#	DATE - 5/12/08	REVISED -

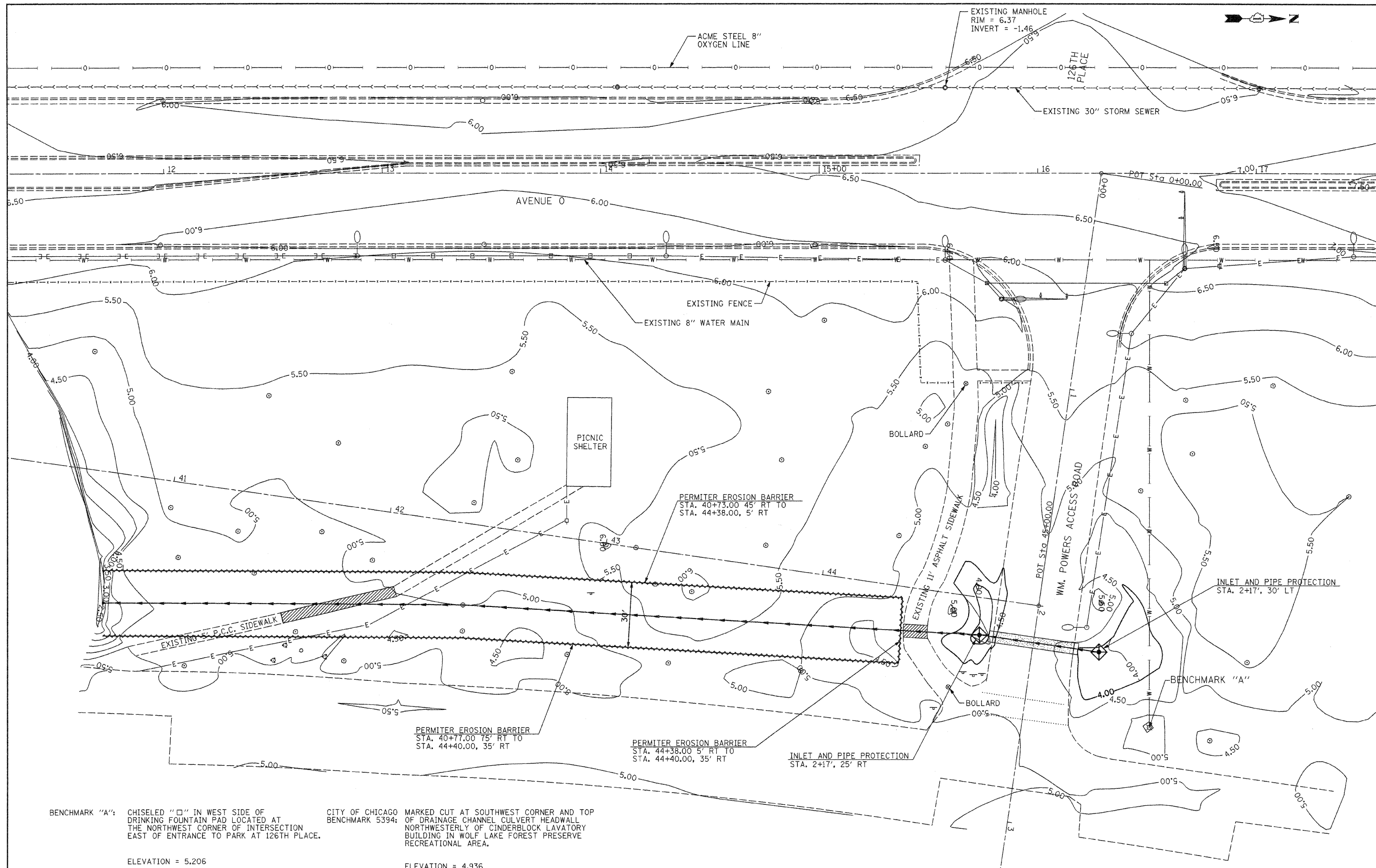
**STATE OF ILLINOIS  
DEPARTMENT OF TRANSPORTATION**

**OVERALL PLAN SHEET  
WILLIAM W. POWERS STATE RECREATION AREA**

SCALE: 1"=20' SHEET NO. OF SHEETS STA. TO STA.

F.A. RTE.	SECTION	COUNTY	TOTAL SHEETS	SHEET NO.
		COOK	5	4
FED. ROAD DIST. NO.			ILLINOIS FED. AID PROJECT	
			CONTRACT NO. 44998	

JOB NO. 250-081-F VASCONCELLES ENGINEERING CORP. DESIGN FIRM REGISTRATION NUMBER 184-002107



BENCHMARK "A": CHISELED "□" IN WEST SIDE OF DRINKING FOUNTAIN PAD LOCATED AT THE NORTHWEST CORNER OF INTERSECTION EAST OF ENTRANCE TO PARK AT 126TH PLACE.

CITY OF CHICAGO MARKED CUT AT SOUTHWEST CORNER AND TOP OF DRAINAGE CHANNEL CULVERT HEADWALL NORTHWESTERLY OF CINDERBLOCK LAVATORY BUILDING IN WOLF LAKE FOREST PRESERVE RECREATIONAL AREA.

ELEVATION = 5.206

ELEVATION = 4.936

FILE NAME =	USER NAME = #USER#	DESIGNED - R.H.D.	REVISED -
#FILEL#		DRAWN - S.D.K.	REVISED -
	PLOT SCALE = #SCALE#	CHECKED - R.H.D.	REVISED -
	PLOT DATE = #DATE#	DATE - 5/12/08	REVISED -

**STATE OF ILLINOIS  
DEPARTMENT OF TRANSPORTATION**

**EROSION CONTROL PLAN  
WILLIAM W. POWERS STATE RECREATION AREA**

SCALE: 1"=20' SHEET NO. OF SHEETS STA. TO STA.

F.A. RTE.	SECTION	COUNTY	TOTAL SHEETS	SHEET NO.
		COOK	5	5
FED. ROAD DIST. NO.			ILLINOIS FED. AID PROJECT	
			CONTRACT NO. 44998	

JOB NO. 250-081-F VASCONCELLES ENGINEERING CORP. DESIGN FIRM REGISTRATION NUMBER 184-002107