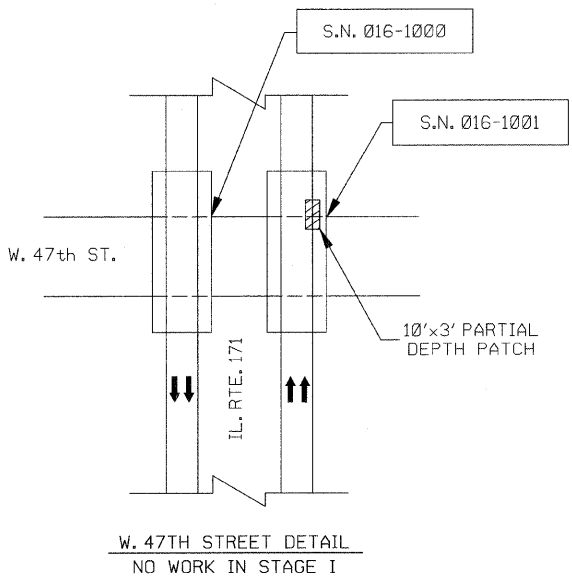
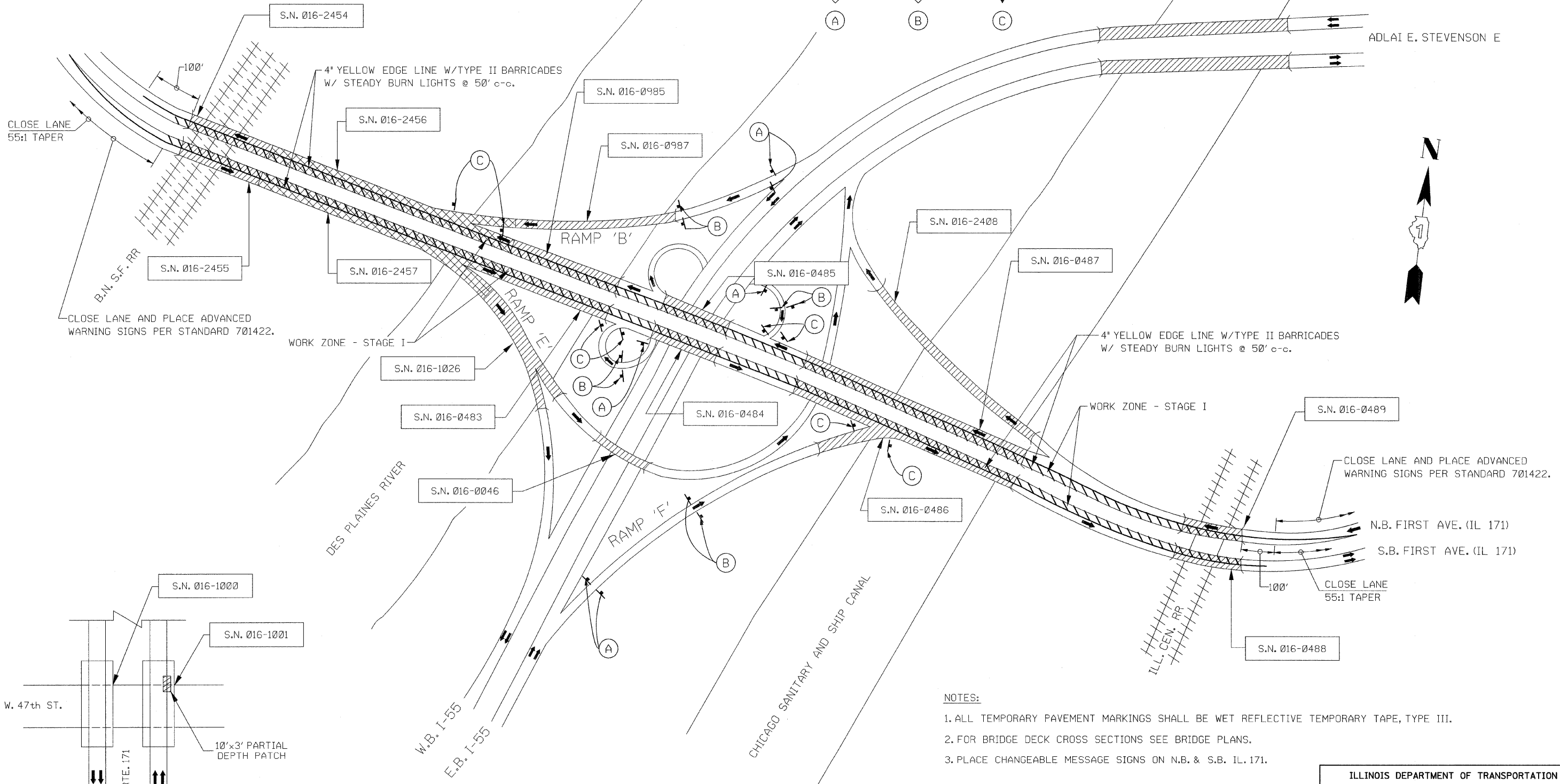


F.A.P. RTE.	SECTION	COUNTY	TOTAL SHEETS	SHEET NO.
373	0707-608 HB-1-4	COOK	40	6
STA.	TO STA.			
FED. ROAD DIST. NO.	ILLINOIS	FED. AID PROJECT		

CONTRACT NO. 60C94

ADLAI E. STEVENSON E

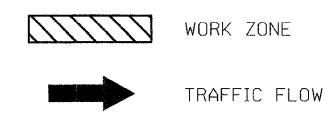


NOTES:

1. ALL TEMPORARY PAVEMENT MARKINGS SHALL BE WET REFLECTIVE TEMPORARY TAPE, TYPE III.
2. FOR BRIDGE DECK CROSS SECTIONS SEE BRIDGE PLANS.
3. PLACE CHANGEABLE MESSAGE SIGNS ON N.B. & S.B. IL. 171.

STAGE I CONSTRUCTION

LEGEND:



REVISIONS	
NAME	DATE

ILLINOIS DEPARTMENT OF TRANSPORTATION

STAGE I CONSTRUCTION & STAGE I MAINTENANCE OF TRAFFIC IL. RTE. 171 INTERCHANGE AT F.A.I. I-55 & OVER W. 47TH STREET

SCALE: NONE
DATE: DECEMBER 8, 2008

DRAWN BY: D.L./F.M.
CHECKED BY: S.J.P.

CHRISTIAN-ROGE & ASSOC., INC.
CHICAGO ILLINOIS

12/25/2008 11:42 AM