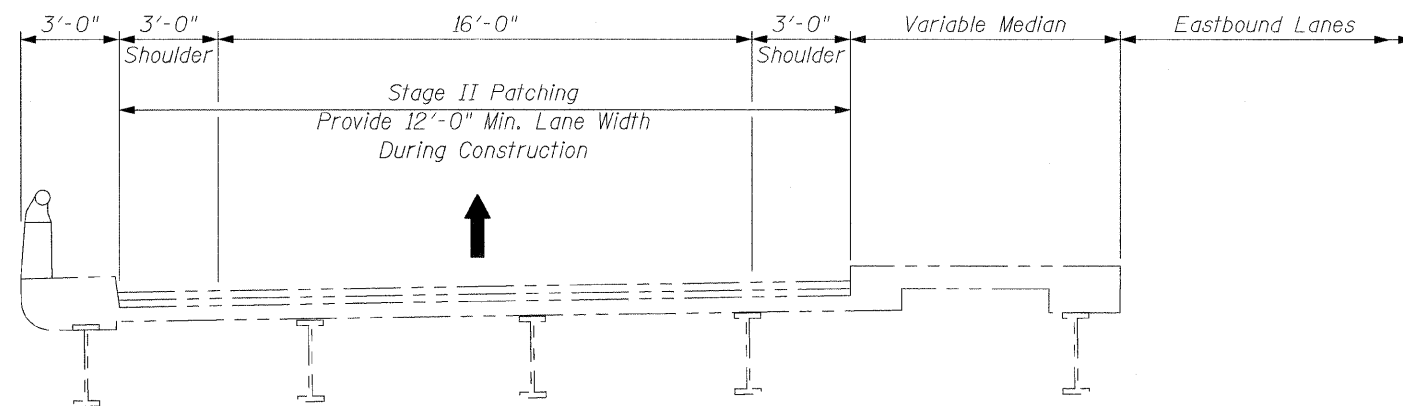
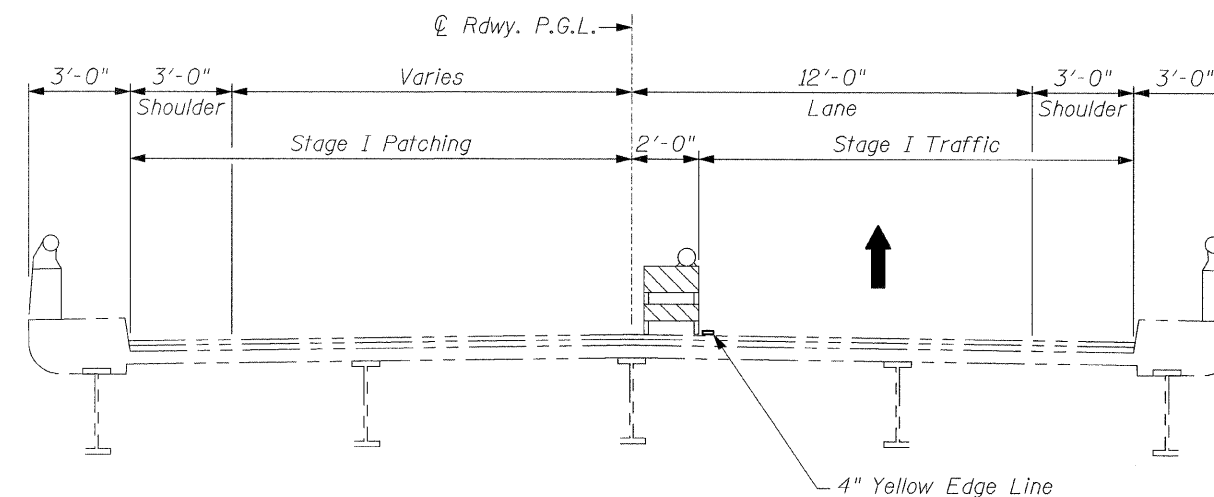


F.A.P. RTE.	SECTION	COUNTY	TOTAL SHEETS	SHEET NO.
373	0707-608 HB-I-4	COOK	40	13
STA.		TO STA.		
FED. ROAD DIST. NO.		ILLINOIS	FED. AID PROJECT	

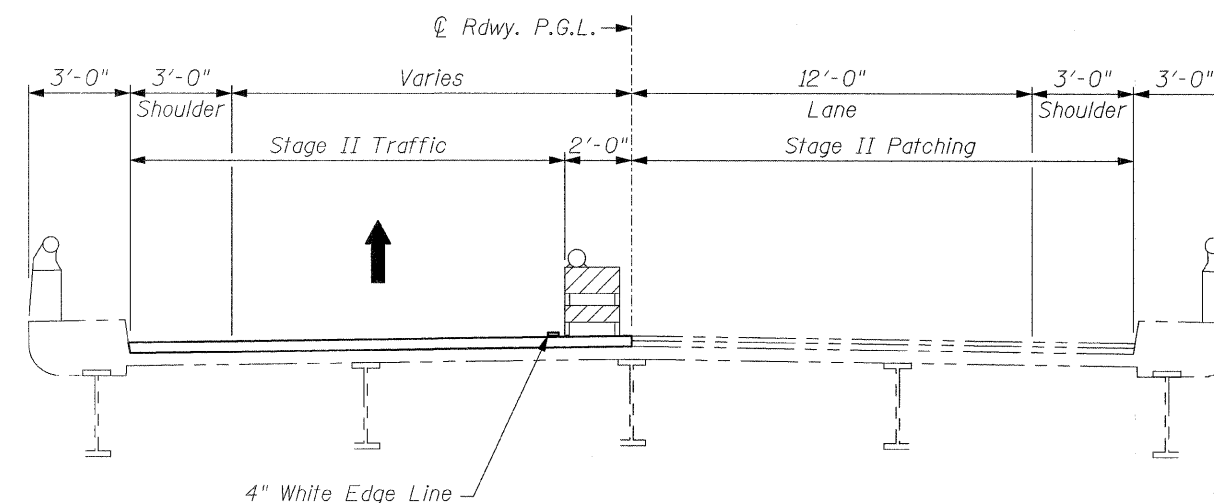
CONTRACT NO. 60C94



STAGE II PATCHING
EXISTING DECK CROSS SECTION - RAMP "F"
 (Looking Upstation - Westbound)



STAGE I PATCHING
EXISTING DECK CROSS SECTION
 (Looking Upstation - Eastbound)



STAGE II PATCHING
EXISTING DECK CROSS SECTION
 (Looking Upstation - Eastbound)

REVISIONS	
NAME	DATE

ILLINOIS DEPARTMENT OF TRANSPORTATION
 DECK CROSS SECTION
 1ST AVE. (IL. RTE. 171)
 OVER
 F.A.I. I-55
 F.A.P. RTE. 373 SECTION: 0707-608 HB-I-4
 COOK COUNTY STATION 41+24.08
 STRUCTURE NO. 016-0486
 SCALE: NONE DRAWN BY: D.L./F.M.
 DATE: DECEMBER 8, 2008 CHECKED BY: B.N.S./J.C.N.
CHRISTIAN-ROGE & ASSOC., INC.
 CHICAGO ILLINOIS

12/22/2008 2:40:39 PM